



2024 - 2025
PRODUCT GUIDE

 **OKUR**TM
CAR AUDIO

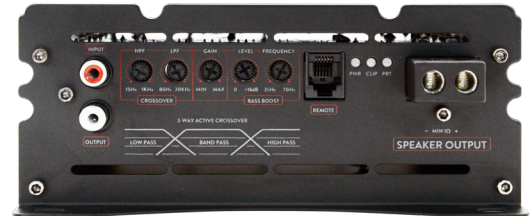




FULL RANGE

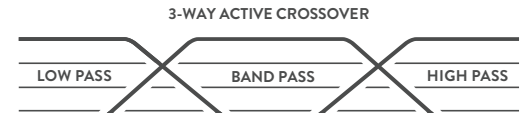
CLASS D

MONO BLOCK AMPLIFIER

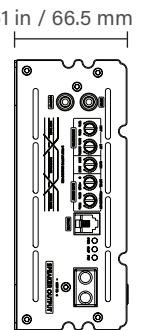
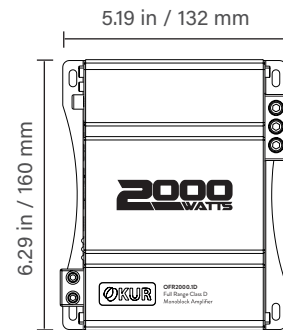
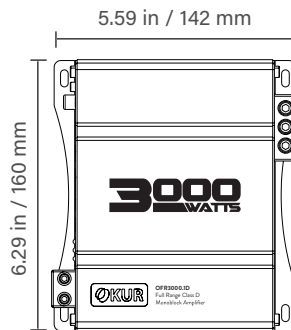


FEATURES

- Full Range Class D Monoblock Circuitry
- 1Ω Load Mono Capability
- Low level RCA inputs
- Variable HP/LP/BP Crossover
- High Efficiency Mosfet Design
- Heat Management System
- Remote Dash Bass Control



SPECIFICATIONS	OFR2000.1D	OFR3000.1D
Internal Circuitry	Mono. Class D	Mono. Class D
4Ω @ 14.4 Volts	1 x 500 Watts	1 x 750 Watts
2Ω @ 14.4 Volts	1 x 1000 Watts	1 x 1500 Watts
1Ω @ 14.4 Volts	1 x 2000 Watts	1 x 3000 Watts
Capability	1Ω Mono	1Ω Mono
Master Carton	5	5



CLASS D

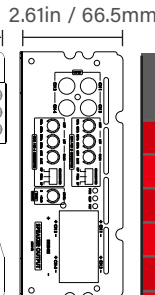
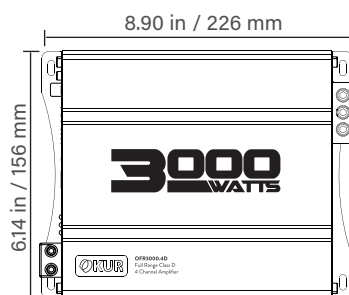
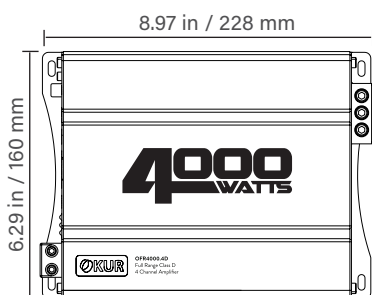
FULL RANGE

4CH AMPLIFIER



FEATURES

- 4 Channel Full Range Class D Circuitry
- 1Ω Load Stereo Capability
- Low level RCA inputs
- Selectable Crossover: HPF/LPF/Full
- Bridgable output @ 2Ω load
- Compatible with any 4/1Ω Loudspeaker
- High Efficiency Mosfet Design
- Heat Management System



NEW PRODUCT

SPECIFICATIONS	OFR4000.4D	OFR3000.4D
Internal Circuitry	4 Ch. Class D	4 Ch. Class D
4Ω @ 14.4 Volts	4 x 500 Watts	4 x 325 Watts
1Ω @ 14.4 Volts	4 x 1000 Watts	4 x 750 Watts
2Ω Bridged	2 x 2000 Watts	2 x 1500 Watts
Capability	1Ω Stereo	1Ω Stereo
Master Carton	5	5

FEATURES

- Low level RCA inputs
- *Buffered RCA Outputs
- Variable Low Pass Crossover
- High Efficiency Mosfet Design
- Heat Management System
- Remote Dash Bass Control

**Only Monoblock Amplifiers*

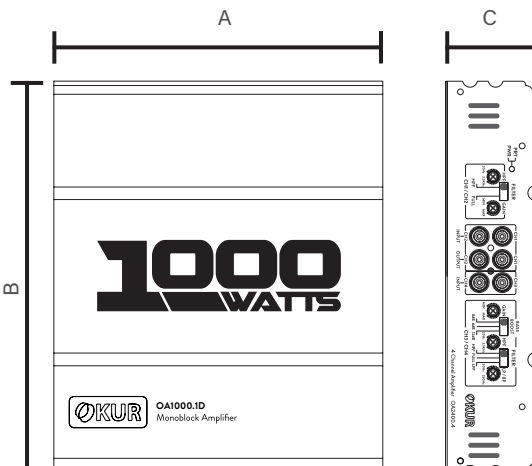


**BASS
REMOTE
INCLUDED**

On Monoblock Models:
OA1000.1D, OA1500.1D



SPECIFICATIONS	OA1200.2	OA2000.4	OA2400.4	*OA1000.1D	*OA1500.1D
Internal Circuitry	2 Ch. Class AB	4 Ch. Class AB	4 Ch. Class AB	Mono. Class AB	Mono. Class D
4Ω @ 14.4 Volts	2 x 120 Watts	4 x 100 Watts	4 x 125 Watts	1 x 250 Watts	1 x 375 Watts
2Ω @ 14.4 Volts	2 x 240 Watts	4 x 200 Watts	4 x 250 Watts	1 x 500 Watts	1 x 750 Watts
4Ω Bridged	1 x 480 Watts	2 x 400 Watts	2 x 500 Watts	-	-
1Ω @ 14.4 Volts	-	-	-	1 x 1000 Watts	1 x 1500 Watts
Subsonic Filter	-	-	-	12dB	12dB
Capability	2Ω Stereo	2Ω Stereo	2Ω Stereo	2Ω Mono	1Ω Mono
Master Carton	5	5	5	5	5



DIMENSIONS	A	B	C
OA1200.2	7.04" / 179 mm	9.33" / 237.38 mm	2.04" / 52 mm
OA2000.4	10.82" / 275 mm	9.33" / 237.38 mm	2.04" / 52 mm
OA2400.4	11.73" / 298 mm	9.33" / 237.38 mm	2.04" / 52 mm
OA1000.1D	7.87" / 200 mm	9.33" / 237.38 mm	2.04" / 52 mm
OA1500.1D	10.82" / 275 mm	9.33" / 237.38 mm	2.04" / 52 mm



7 BAND
PARAMETRIC
EQUALIZER

7
VOLTS

ILLUMINATED
Controls



FEATURES

- Active gain Equalizer with adjustable input sensitivity
 - Master volume control with up to 7 Volts RMS of output
 - 7 band parametric equalizer with 12dB boost
 - Fixed band plus high-frequency shelving
 - Bipolar switching power supply
 - subwoofer level control
 - Adjustable subwoofer frequency control
 - Aux/Main input selection
 - Rear panel AUX input
 - Illuminated controls
- Master Carton: 20





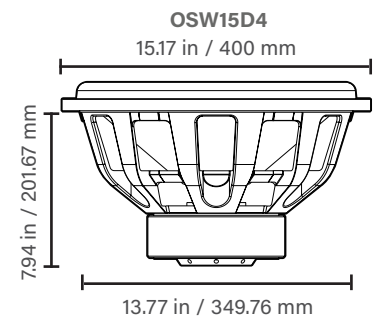
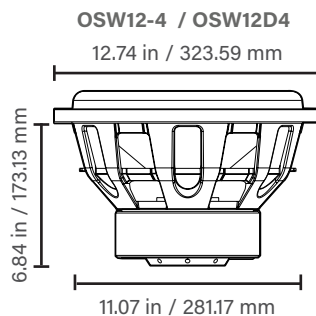
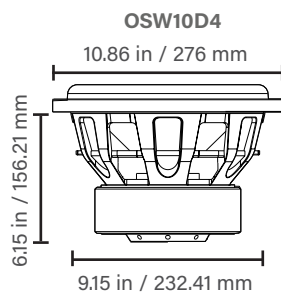
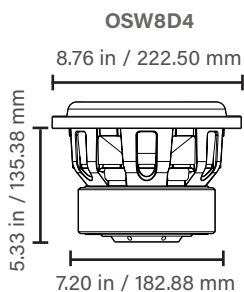
FEATURES

- Non-Pressed Paper cone
- Double stitched foam surround
- Dual poly-cotton dampeners
- Die-cast aluminum vented basket
- Rubber gasket trim ring
- Large Gauge compression terminals
- Protective magnet cover

DUAL VOICE COIL

LARGE GAUGE TERMINALS

SPECIFICATIONS	OSW8D4	OSW10D4	OSW12-4	OSW12D4	OSW15D4
Structure	8" (20.3cm) Woofer	10" (25.4cm) Woofer	12" (30.4cm) Woofer	12" (30.4cm) Woofer	15" (38cm) Woofer
Dynamic Power	1500 Watts	2500 Watts	1500 Watts	2500 Watts	3000 Watts
Nominal Power	350 Watts	600 Watts	350 Watts	600 Watts	750 Watts
Impedance	4Ω DVC	4Ω DVC	4Ω SVC	4Ω DVC	4Ω DVC
Voice Coil	2" Voice Coil	3" Voice Coil	2" Voice Coil	3" Voice Coil	3" Voice Coil
Master Carton	2 PCS	1 PC	1 PC	1 PC	1 PC





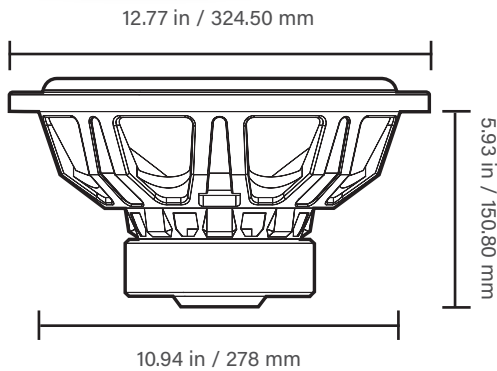
OW12

12" 4Ω DVC SUBWOOFER



FEATURES

- Compressed Paper Cone
- Double-stitched foam surround
- Heavy Gauge Stamped Steel Basket
- Proprietary Full Round PVC Gasket
- Heavy Gauge Spring Terminals
- Protective Magnet Cover



SPECIFICATIONS	OW12
Structure	12" (30.4cm) Woofer
Dynamic Power	1500 Watts
Nominal Power	350 Watts
Impedance	4Ω DVC
Voice Coil	2" Voice Coil
Master Carton	2 PCS

SUBWOOFER TO AMPLIFIER COMPATIBILITY

AMPLIFIER	SUBWOOFER
OFR2000.1D	2 x OSW10D4 @ 1 ohm
	2 x OSW12D4 @ 1 ohm
	2 x OWX12 @ 1 ohm
OFR3000.1D	2 x OSW12D4 @ 1 ohm
	2 x OSW15D4 @ 1 ohm

AMPLIFIER	SUBWOOFER
OA1200.2	2 x OW12 @ 4 ohms
OA1000.1D	1 x OW12 @ 2 ohms
	1 x OSW8D4 @ 2 ohms
OA1500.1D	2 x OSW8D4 @ 1 ohm
	2 x OSW10D4 @ 1 ohm
	2 x OWX12 @ 1 ohm



OWX12D4

12" 4Ω DVC SUBWOOFER

FEATURES

- 2" BASV High-Temperature Voice coil
- Poly Coated Paper cone
- Rubber Surround
- Poly-cotton dampeners
- Stamped Cast vented basket
- EVA gasket trim ring
- Stamped Speaker Terminals
- ABS Protective magnet cover

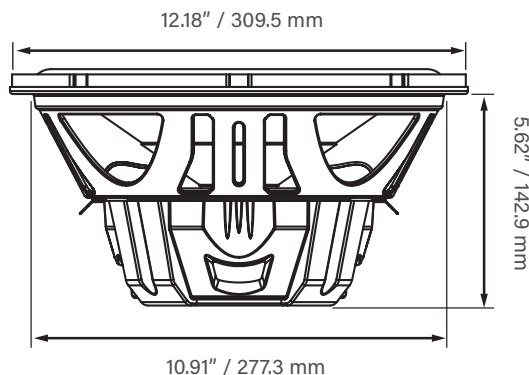


12
INCH
WOOFER

2
INCH
VOICE COIL

4
OHMS

POLY
COATED
PAPER CONE



SPECIFICATIONS	OW12
Structure	12" (30.4cm) Woofer
Dynamic Power	800 Watts
Nominal Power	400 Watts
Impedance	4Ω DVC
Voice Coil	2" Voice Coil
Master Carton	2 PCS

SUBWOOFER TO AMPLIFIER COMPATIBILITY

AMPLIFIER	SUBWOOFER
OFR2000.1D	2 x OSW10D4 @ 1 ohm 2 x OSW12D4 @ 1 ohm 2 x OWX12 @ 1 ohm
OFR3000.1D	2 x OSW12D4 @ 1 ohm 2 x OSW15D4 @ 1 ohm

AMPLIFIER	SUBWOOFER
OA1200.2	2 x OW12 @ 4 ohms
OA1000.1D	1 x OW12 @ 2 ohms 1 x OSW8D4 @ 2 ohms
OA1500.1D	2 x OSW8D4 @ 1 ohm 2 x OSW10D4 @ 1 ohm 2 x OWX12 @ 1 ohm



FEATURES

- 1" Voice Coil
- Impedance 4Ω
- Paper Cone
- Cloth Surround
- Ferric Oxide Magnet
- Stamped Steel Basket
- Hybrid Technology -
Combination of Sound Quality & High Output



MESH GRILL INCLUDED

SQL PERFORMANCE

OS65
6.5" COAXIAL SPEAKER



SQL PERFORMANCE

OS57
5X7" COAXIAL SPEAKER



MESH GRILL INCLUDED

SQL PERFORMANCE

OS69
6 X9" COAXIAL SPEAKER



OS42
4" COAXIAL SPEAKER



OS46
4X6" COAXIAL SPEAKER

**MESH
GRILL**



OS50
5.25" COAXIAL SPEAKER

SPECIFICATIONS	OS42	OS46	OS50	OS57	OS65	OS69
Structure	4" (101 mm)	4x6" (101 x 152 mm)	5.25" (133.25 mm)	5x7" (127x177.8 mm)	6.5" (165.1 mm)	6x9" (152x228mm)
Dynamic Power	250 Watts	250 Watts	300 Watts	350 Watts	300 Watts	500 Watts
Nominal Power	50 Watts	50 Watts	70 Watts	75 Watts	70 Watts	125 Watts
Frequency Response	157Hz-18KHz	96Hz-18KHz	134Hz-18KHz	91Hz-18KHz	83Hz-18KHz	66Hz-18KHz
Master Carton	10	12	8	6	6	4



NEW
PRODUCT

OS65PRO-CD

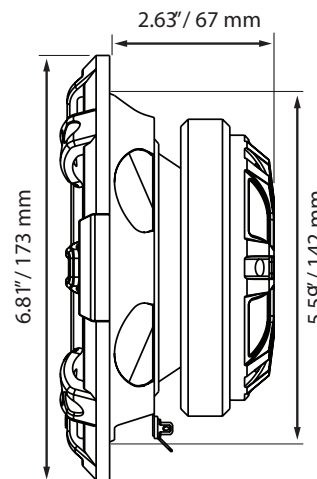
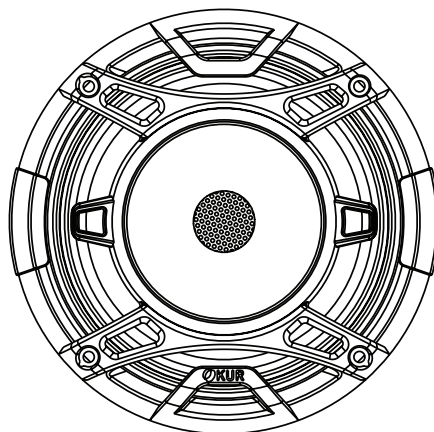
6.5" HIGH EFFICIENCY 2-WAY LOUDSPEAKER
WITH REAR LOADED COMPRESSION DRIVER



SPECIFICATIONS	OS65PRO-CD
Size	6.5"
Impedance	4Ω
Nominal Power	250 Watts
Dynamic Power	500 Watts
Frequency Response	83 Hz - 18KHz
Sensitivity	92.7dB
Master Carton	4

FEATURES

- 1" Aluminum Compression Style Tweeter
- Weather treated cone design
- Treated Cloth Surround
- 1.5" High Output Til Midrange Voice Coil
- Custom Protective Grill Included





NEW
PRODUCT

OS69PRO-CD

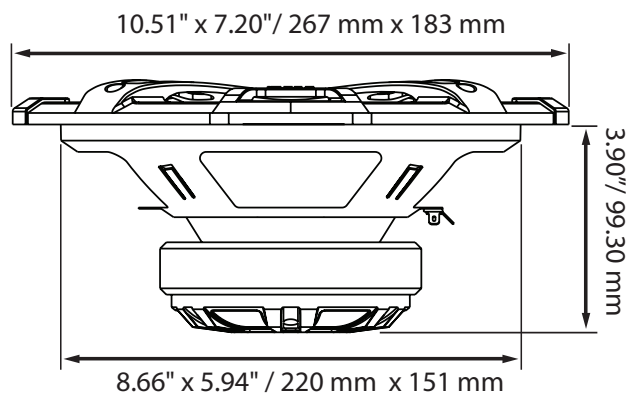
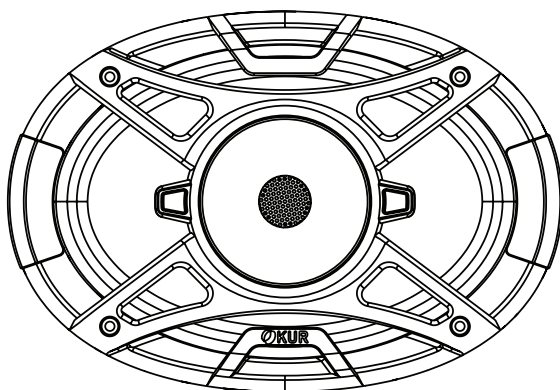
6.5" HIGH EFFICIENCY 2-WAY LOUDSPEAKER
WITH REAR LOADED COMPRESSION DRIVER



SPECIFICATIONS	OS69PRO-CD
Size	6 x 9"
Impedance	4Ω
Nominal Power	350 Watts
Dynamic Power	700 Watts
Frequency Response	66 Hz - 18KHz
Sensitivity	93dB
Master Carton	2

FEATURES

- Compression Style 1" aluminum tweeter
- Weather treated cone design
- Treated Cloth Surround
- 1.5" High Output Tilt Midrange Voice Coil
- Custom Protective Grill Included



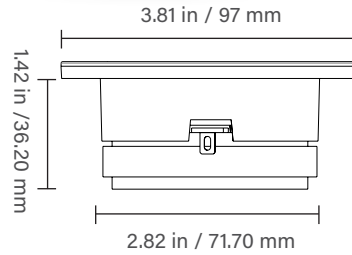


OTW3

PROAUDIO TWEETERS

FEATURES

- 250W ProAudio Tweeter
- 1" Voice Coil
- Nominal Power- 50 Watts
- Dynamic Power - 250 Watts
- Sensitivity - 101dB
- Impedance - 4Ω
- Sold As - Pair



-Master Carton - 12PRS

(((WIDE)))
Dispersion

HIGH
OUTPUT

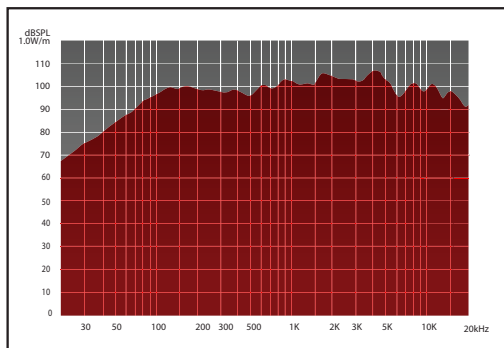


Shallow Mounting

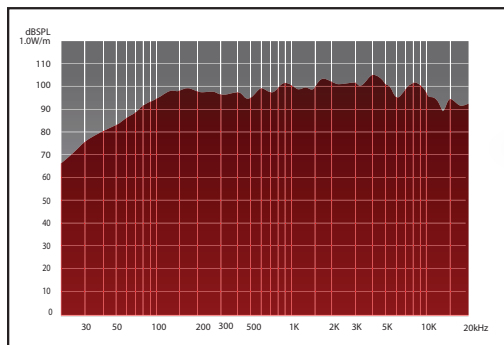
OMR65 SERIES

6.5" PROAUDIO MID-RANGE SPEAKERS

OMR65PR FREQUENCY RESPONSE

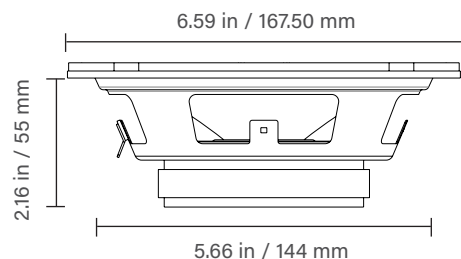


OMR65 FREQUENCY RESPONSE



FEATURES

- CCAW Voice Coil Wire
- KSV Former
- Ferrite Magnet
- Stamped Steel Basket
- Paper Cone
- Cloth Cone Edge



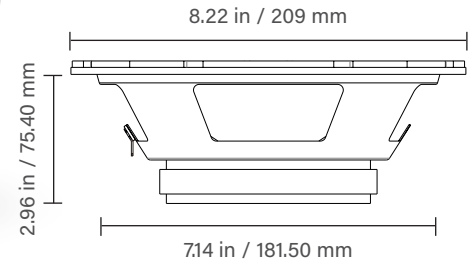
SPECIFICATIONS	OMR65PR	OMR65
Size	6.5"	6.5"
Impedance	4Ω	8Ω
Nominal Power	75 Watts	75 Watts
Dynamic Power	350 Watts	350 Watts
Resonance	118.4 Hz	126.9 Hz
Sensitivity	91.3dB	87.7dB
Voice Coil Diameter	1"	1"
Sold as	Pair	Single
Master Carton	6 PCS	12 PCS



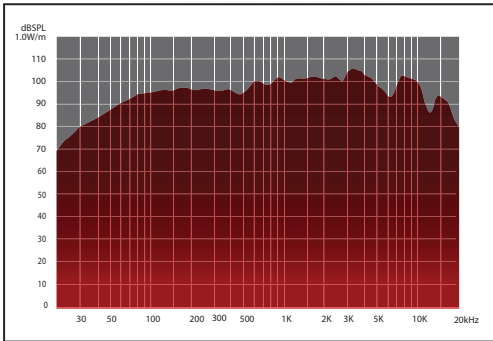
PRO AUDIO

OMR8

8" PROAUDIO
MID-RANGE SPEAKER



OMR8 FREQUENCY RESPONSE



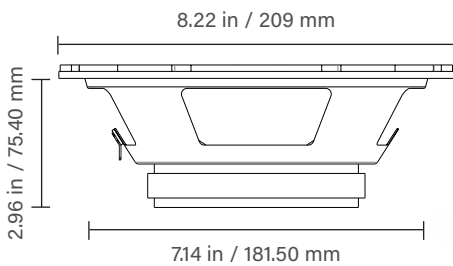
SPECIFICATIONS	OMR8
Size	8"
Impedance	8Ω
Nominal Power	75 Watts
Dynamic Power	350 Watts
Resonance	96.2 Hz
Sensitivity	96.5dB
Voice Coil Diameter	1.5"
Sold as	Single
Master Carton	8 PCS

FEATURES

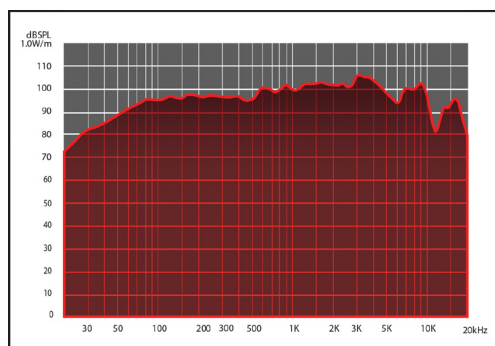
- CCAW Voice Coil Wire
- KSV Former
- Ferrite Magnet
- Stamped Steel Basket
- Paper Cone
- Cloth Cone Edge

OMR8PR

8" PROAUDIO
MID-RANGE SPEAKERS



OMR8PR FREQUENCY RESPONSE



SPECIFICATIONS	OMR8PR
Size	8"
Impedance	4Ω
Nominal Power	75 Watts
Dynamic Power	350 Watts
Resonance	90 Hz
Sensitivity	93.4dB
Voice Coil Diameter	1.5"
Sold as	Pair
Master Carton	4 PCS

FEATURES

- CCAW Voice Coil Wire
- KSV Former
- Ferrite Magnet
- Stamped Steel Basket
- Paper Cone
- Cloth Cone Edge

OMR6K-4MR

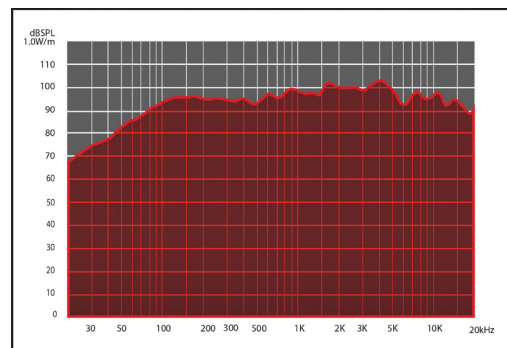
6.5" PROAUDIO MID-RANGE SPEAKER KIT

NEW
PRODUCT

4 MIDS
2 TWEETERS



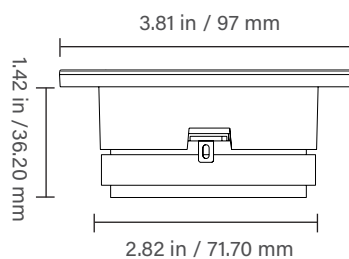
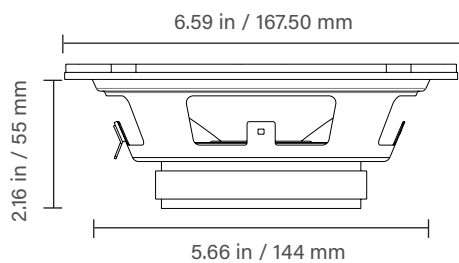
OMR6K-4MR FREQUENCY RESPONSE



SPECIFICATIONS	OMR6K-4MR
Size	6.5"
Impedance	4Ω
Nominal Power	125 Watts
Dynamic Power	500 Watts
Resonance	118.4 Hz
Sensitivity	96.3dB
Voice Coil Diameter	1"
Master Carton	2 PRS

FEATURES

- CCAW Voice Coil Wire
- KSV Coil
- Ferrite Magnet
- Stamped Steel Basket
- Paper Cone
- Cloth Cone Edge

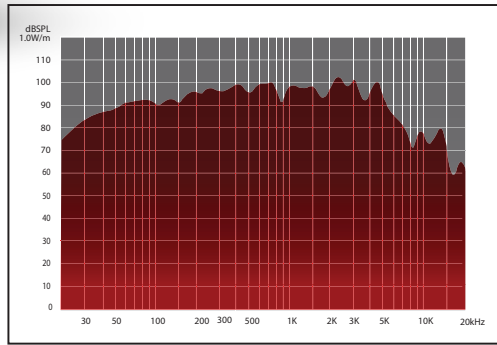


OS10MB

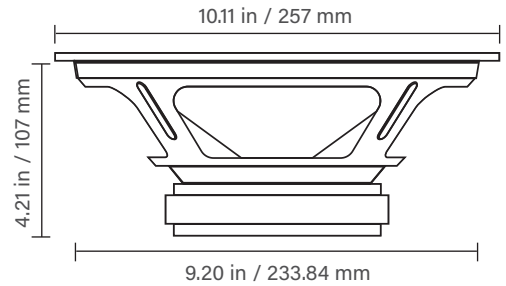
10" PROAUDIO
MID-BASS SPEAKERS



OS10MB FREQUENCY RESPONSE



SPECIFICATIONS	OS10MB
Size	10"
Impedance	4Ω
Nominal Power	350 Watts
Dynamic Power	700 Watts
Resonance	69.8 Hz
Sensitivity	94.6dB
Voice Coil Diameter	2.5"
Sold as	Single
Master Carton	2 PCS



FEATURES

- CCAW Voice Coil Wire
- Ferrite Magnet
- Stamped Steel Basket
- Paper Cone
- Cloth Cone Edge
- KSV Former

OS12MB

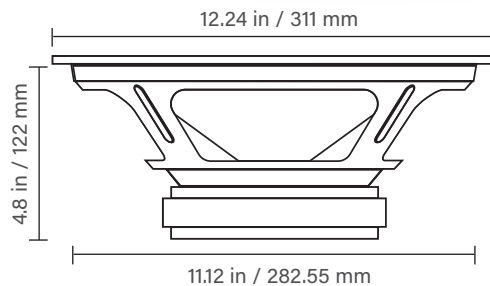
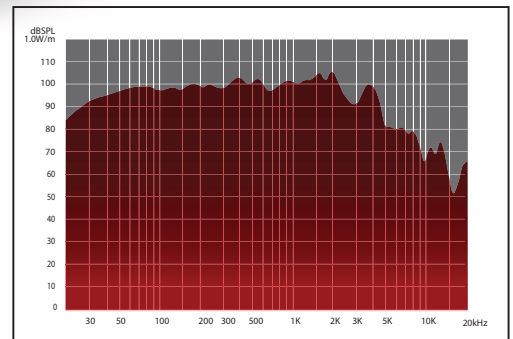
12" PROAUDIO
MID-BASS SPEAKERS



SPECIFICATIONS	OS12MB
Size	12"
Impedance	4Ω
Nominal Power	400 Watts
Dynamic Power	800 Watts
Resonance	59.7 Hz
Sensitivity	94.8 dB
Voice Coil Diameter	2.5"
Sold as	Single
Master Carton	2 PCS



OS12MB FREQUENCY RESPONSE



FEATURES

- CCAW Voice Coil Wire
- Ferrite Magnet
- Stamped Steel Basket
- Paper Cone
- Cloth Cone Edge
- KSV Former

The logo features a stylized 'O' composed of two overlapping semi-circles, one red and one white. To its right, the word 'KUR' is written in a bold, red, sans-serif font. Below 'KUR', the words 'CAR AUDIO' are written in a smaller, grey, sans-serif font. A small 'TM' trademark symbol is located to the right of 'KUR'.

OKURTM
CAR AUDIO



302 Hanmore Industrial Parkway/Harlingen, TX 78550

Toll Free: (877) 787-0101 Fax: (956) 421-4513

www.**OkurElectronics.com** sales@dbdrive.net

Printed in China

Model # OKURCAT24A

OKURCAT24A