



EUPHORIA™

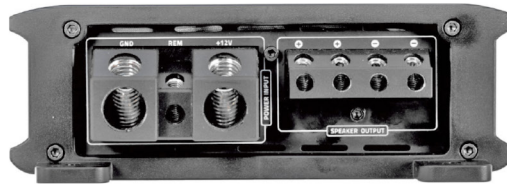
AUDIO PERFECTION



www.EUPHORIACARAUDIO.com

2024 - 2025
PRODUCT GUIDE

MONO AMPLIFIERS

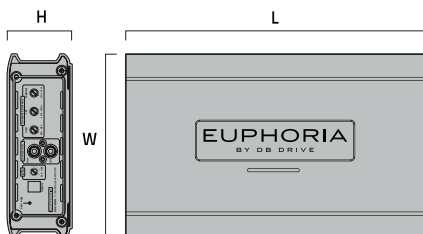


BASS REMOTE



- Frequency Response : 10Hz - 250Hz
- Low Level Input : 6V - 0.2mV
- Variable Low Pass Filter : 40Hz - 200Hz
- Variable Subsonic Filter : 10Hz - 40Hz
- 12 dB Slope Low-Pass Filter
- 12 dB Slope Subsonic Filter
- Enclosure Compensation Bass EQ 0-12dB @ 45Hz
- Large Gauge Power Wire Inputs
- Remote Bass Control (Included)
- Working Voltage 12 - 16 Volts

MODEL	DESCRIPTION	1Ω @ 14.4 VOLTS	2Ω @ 14.4 VOLTS	4Ω @ 14.4 VOLTS
MX600.1	Monoblock Class D Technology	1 x 600 W	1 x 300 W	1 x 150 W
MX1200.1	Monoblock Class D Technology	1 x 1200 W	1 x 600 W	1 x 300 W
MX2000.1	Monoblock Class D Technology	1 x 2000 W	1 x 1000 W	1 x 500 W
MX3000.1	Monoblock Class D Technology	1 x 3000 W	1 x 1500 W	1 x 750 W

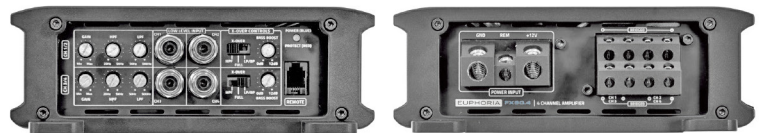
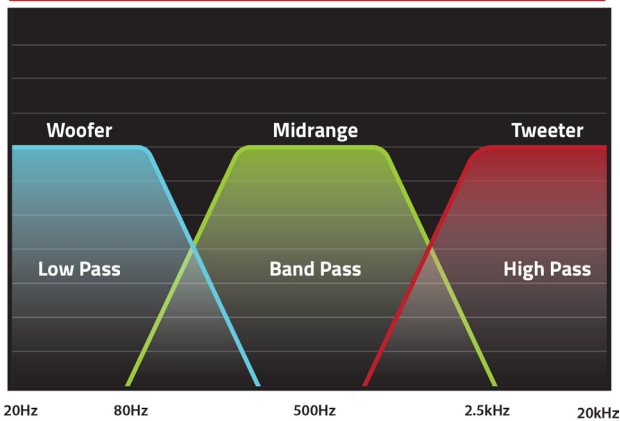


DIMENSIONS	LENGTH	HEIGHT	WIDTH
MX600.1	9 in. (229 mm)	2.25 in. (57 mm)	6.25 in. (159 mm)
MX1200.1	12 in. (305 mm)	2.25 in. (57 mm)	6.25 in. (159 mm)
MX2000.1	15.13 in. (384 mm)	2.25 in. (57 mm)	6.25 in. (159 mm)
MX3000.1	18.62 in. (473 mm)	2.25 in. (57 mm)	6.25 in. (159 mm)

4 CHANNEL AMPLIFIERS



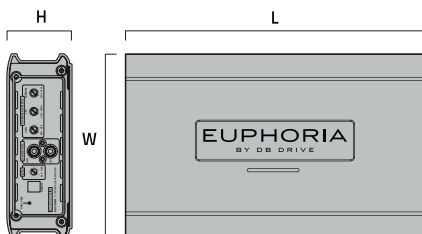
VARIABLE FREQUENCY RESPONSE



- Frequency Response : 10Hz - 25KHz
- Low Level Input: 6V - 0.2mV
- Variable High Pass Filter : 20Hz - 5KHz
- Variable Band Pass Filter : 20Hz - 5KHz
- Variable Low Pass Filter : 50Hz - 500Hz
- Large Gauge Power Wire Inputs
- Enclosure Compensation Bass EQ 0-12dB @ 45Hz
- Direct Connect Speaker Terminals
- Remote Bass Control (Sold separately)
- Working Voltage 12 - 16 Volts



MODEL	DESCRIPTION	4Ω @ 14.4 VOLTS	2Ω @ 14.4 VOLTS	4Ω BRIDGED @ 14.4 VOLTS
FX90.4	4 Channel Class A/B Technology	4 x 90 W	4 x 180 W	2 x 360 W
FX125.4	4 Channel Class A/B Technology	4 x 125 W	4 x 250 W	2 x 500 W



DIMENSIONS	LENGTH	HEIGHT	WIDTH
FX90.4	13.25 in. (337 mm)	2.25 in. (57 mm)	6.25 in. (159 mm)
FX125.4	16.63 in. (422 mm)	2.25 in. (57 mm)	6.25 in. (159 mm)

MONO

MINI AMPLIFIERS

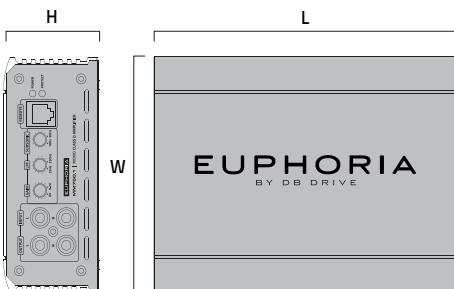


ULTRA EFFICIENT
CLASS D
TECHNOLOGY

- Frequency Response : 10Hz - 250Hz
- Low Level Input : 6V - 0.2mV
- Variable Low Pass Filter : 35Hz - 250Hz
- 12 dB Slope Low-Pass Filter
- Variable Subsonic Filter : 10Hz - 50Hz
- 12 dB Slope Subsonic Filter
- Large Gauge Power Wire Inputs
- Direct Connect Speaker Terminals
- Remote Bass Control (Included)
- Working Voltage 12 - 16 Volts
- Vented Enclosure Subsonic Frequency Filter



MODEL	DESCRIPTION	1Ω @ 14.4 VOLTS	2Ω @ 14.4 VOLTS	4Ω @ 14.4 VOLTS
MM750.1	Monoblock Class D Technology	1 x 750 W	1 x 400 W	1 x 200 W
MM1500.1	Monoblock Class D Technology	1 x 1500 W	1 x 800 W	1 x 400 W



DIMENSIONS	LENGTH	HEIGHT	WIDTH
MM750.1	7.87 in. (200 mm)	1.96 in. (50 mm)	4.72 in. (120 mm)
MM1500.1	11.81 in. (300 mm)	1.96 in. (50 mm)	4.72 in. (120 mm)

4 CHANNEL MINI AMPLIFIERS

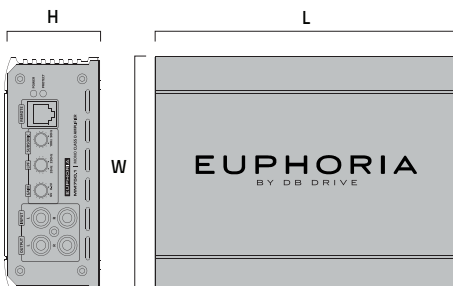


COMPACT
CHASSIS
DESIGN

- Frequency Response 10Hz - 25KHz
- Low Level Input : 6V - 0.2mV
- Variable High Pass Filter : 50Hz - 500Hz
- 12dB Slope High Pass Filter
- Variable Low Pass Filter : 50Hz - 500Hz
- 12dB Slope Low Pass Filter
- Large Gauge Power Wire Inputs
- Removable Molex Style Speaker Connector
- Working Voltage 12 - 16 Volts
- Active 2-Way Crossover Network



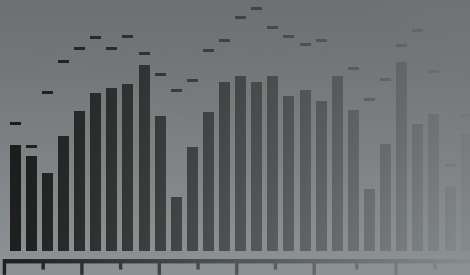
MODEL	DESCRIPTION	4Ω @ 14.4 VOLTS	2Ω @ 14.4 VOLTS	4Ω BRIDGED @ 14.4 VOLTS
FM75.4	4 Channel Class D Technology	4 x 75 W	4 x 150 W	2 x 300 W
FM100.4	4 Channel Class D Technology	4 x 100 W	4 x 200 W	2 x 400 W



DIMENSIONS	LENGTH	HEIGHT	WIDTH
FM75.4	6.29 in. (160 mm)	1.96 in. (50 mm)	4.72 in. (120 mm)
FM100.4	7.87 in. (200 mm)	1.96 in. (50 mm)	4.72 in. (120 mm)

EDSP31-610

DIGITAL SOUND PROCESSOR



31 BAND DIGITAL BAND PROCESSOR



EDSP31-REM Wired Remote Control with LCD Display



- Compatible with EDSP31-610, EDSP31-68, & EDSP31-24BT
- Including connection wire 19" (500mm)
- Main level
- Preset selection
- Mute function
- Master Gain control
- Subwoofer Gain
- **Sold Separately**

EDSP31-BTD USB Interface for Wireless Music Streaming



- Interface for wireless music streaming
- Compatible with EDSP31-610, EDSP31-68, & EDSP31-24BT
- iOS App
- Android App
- Range up to 10m
- **Sold Separately**

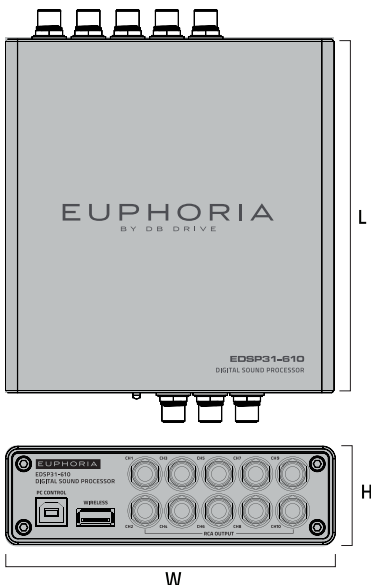
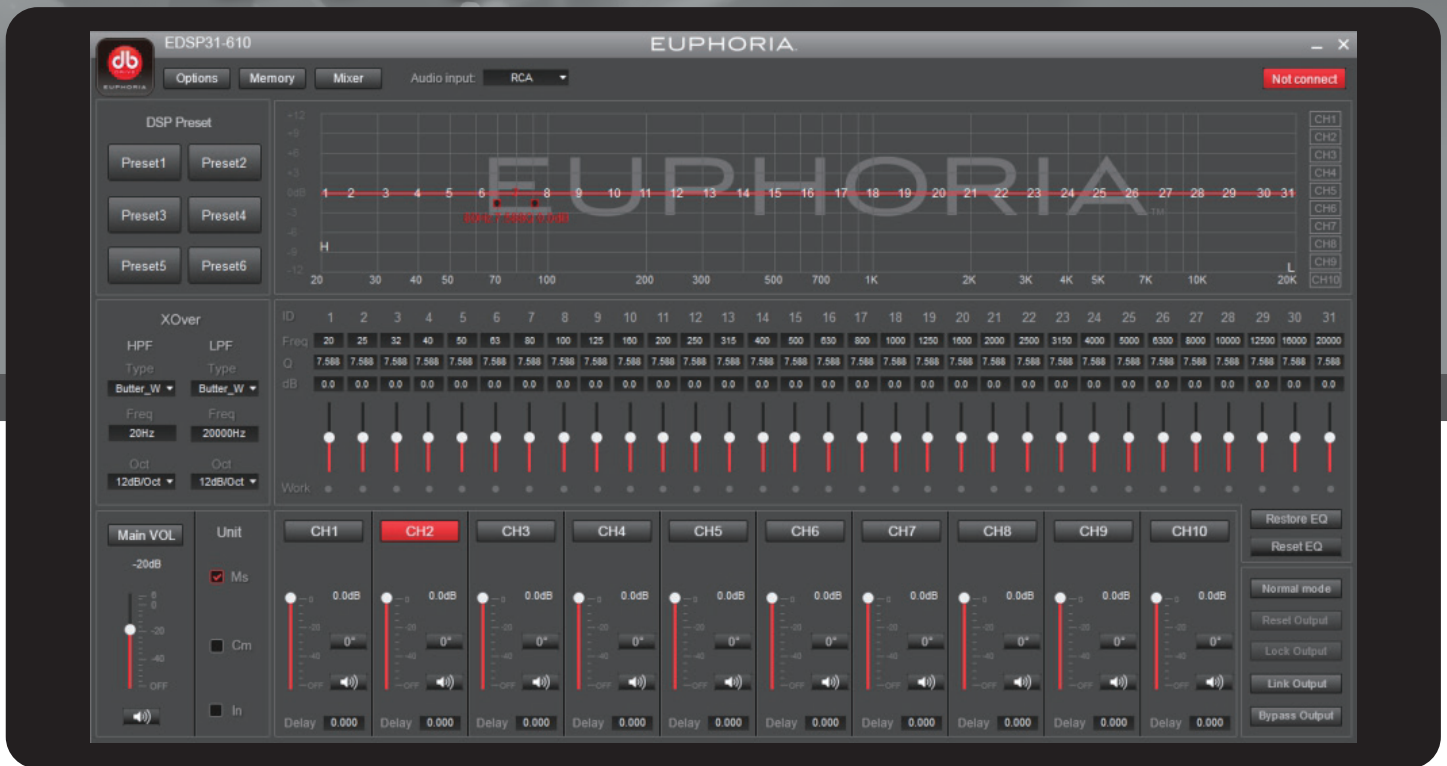


EDSP31-610

DIGITAL SOUND PROCESSOR



COMPACT CHASSIS DESIGN

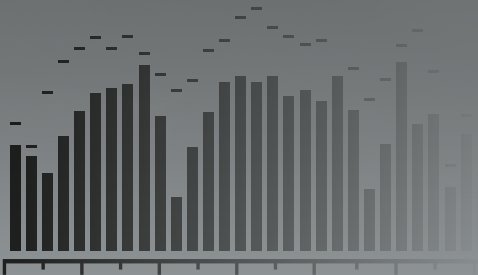


- DSP Settings and Adjustments made via PC or Optional Smart Phone App
- 6 Assignable Inputs
- Selectable Audio Input: Front, Rear and Subwoofer Low-Level- Front and Rear Hi-Level
- Optional Wireless Audio Streaming Dongle (Sold separately)
- 10 Independently Assignable Low-Level Outputs
- Summable Input Channel
- Selectable Crossover Slopes: (6, 12, 18, 24, 30, 36, 42, 48 dB/Octave)
- 31 Band Graphic EQ with Fine Tuning
- Adjustable High, Band-Pass, or Low-Pass Filters (20KHz-20Hz)
- Adjustable Time Alignment per Output Channel
- Adjustable Q-Factor per Frequency
- Phase Adjustment: Switchable 0/180 Degrees on all Output Channels
- Audio Sensing Auto Remote Output QR Code
- Optional Dash Remote with Subwoofer Control (Sold separately)
- Compatible Microsoft Windows® XP SP3 / Vista / 7 / 8 / 8.1 / 10

DIMENSIONS	LENGTH	HEIGHT	WIDTH
EDSP31-610	5.66 in. (144 mm)	1.57 in. (40 mm)	5.27 in. (134 mm)

EDSP 31-68

DIGITAL SOUND PROCESSOR



31 BAND DIGITAL BAND PROCESSOR



EDSP31-REM Wired Remote Control with LCD Display



- Compatible with EDSP31-610, EDSP31-68, & EDSP31-24BT
- Including connection wire 19" (500mm)
- Main level
- Preset selection
- Mute function
- Master Gain control
- Subwoofer Gain
- **Sold Separately**

EDSP31-BTD USB Interface for Wireless Music Streaming



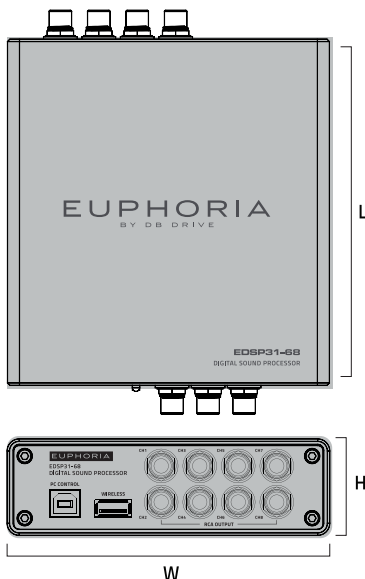
- Interface for wireless music streaming
- Compatible with EDSP31-610, EDSP31-68, & EDSP31-24BT
- iOS App
- Android App
- Range up to 10m
- **Sold Separately**



EDSP 31-68

DIGITAL SOUND PROCESSOR

COMPACT CHASSIS DESIGN



- DSP Settings and Adjustments made via PC or Optional Smart Phone App
- 6 Assignable Inputs
- Selectable Audio Input: Front, Rear and Subwoofer Low-Level- Front and Rear Hi-Level
- Optional Wireless Audio Streaming Dongle (Sold separately)
- 8 Independently Assignable Low-Level Outputs
- Summable Input Channel
- Selectable Crossover Slopes: (6, 12, 18, 24, 30, 36, 42, 48 dB/Octave)
- 31 Band Graphic EQ with Fine Tuning
- Adjustable High, Band-Pass, or Low-Pass Filters (20KHz-20Hz)
- Adjustable Time Alignment per Output Channel
- Adjustable Q-Factor per Frequency
- Phase Adjustment: Switchable 0/180 Degrees on all Output Channels
- Audio Sensing Auto Remote Output QR Code
- Optional Dash Remote with Subwoofer Control (Sold separately)
- Compatible Microsoft Windows® XP SP3 / Vista / 7 / 8 / 8.1 / 10

DIMENSIONS	LENGTH	HEIGHT	WIDTH
EDSP31-68	5.66 in. (144 mm)	1.57 in. (40 mm)	5.27 in. (134 mm)

EDSP 31-24BT

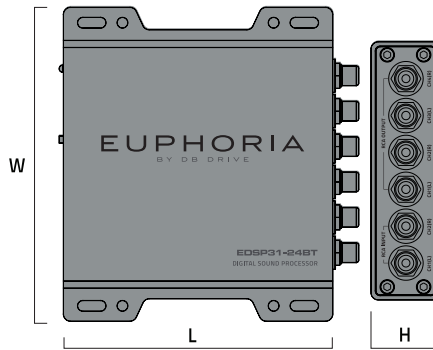
DIGITAL SOUND PROCESSOR



31 BAND DIGITAL BAND PROCESSOR



- 2 Assignable inputs
- Selectable Audio Input: Low-Level or Hi-Level
- DSP Settings and Adjustments made via PC or Optional Smart Phone App
- 4 independently Assignable Low-Level Outputs
- 31 Band Graphic EQ with Fine Tuning
- Adjustable High, Band-Pass, or Low-Pass Filters (20KHz-20Hz)
- Adjustable Time Alignment per Output Channel
- Adjustable Q-Factor per Frequency
- Selectable Crossover Slopes: (6, 12, 18, 24, 30, 36, 42, 48 dB/Octave)
- Phase Adjustment: Switchable 0/180 Degrees on all Output Channels
- Audio Sensing Auto Remote Output QR Code
- Includes USB Cable and Software Download QR codes for Windows
- Optional Dash Remote with Subwoofer Control (Sold separately)
- Compatible Microsoft Windows® XP SP3 / Vista / 7 / 8 / 8.1 / 10



DIMENSIONS	LENGTH	HEIGHT	WIDTH
EDSP31-24BT	4.48 in. (114 mm)	1.10 in. (28 mm)	5.23 in. (133 mm)

EDSP31-REM Wired Remote Control with LCD Display



- Compatible with EDSP31-610, EDSP31-68, & EDSP31-24BT
- Including connection wire 19" (500mm)
- Main level
- Preset selection
- Mute function
- Master Gain control
- Subwoofer Gain
- **Sold Separately**

EDSP31-BTD USB Interface for Wireless Music Streaming



- Interface for wireless music streaming
- Compatible with EDSP31-610, EDSP31-68, & EDSP31-24BT
- iOS App
- Android App
- Range up to 10m
- **Sold Separately**

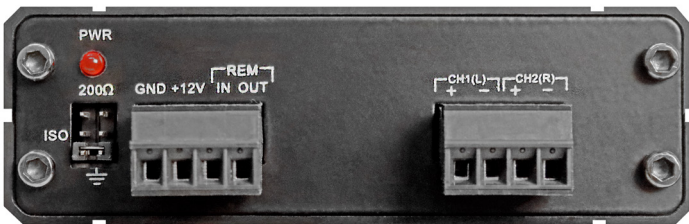


EXBE-2

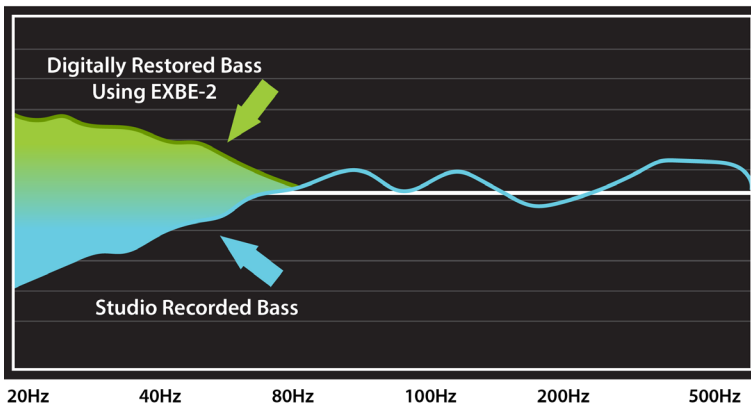
DIGITAL BASS RESTORATION PROCESSOR



- Factory Radio Speaker Hi-level inputs
- Balanced Inputs RCA Low Level inputs
- Intergrated Line Driver output
- Variable Subsonic Filter
- Variable Gain Adjustment with Clip LED indicator
- Auto Turn-On Audio Signal Detect
- +12V Remote Output (for factory radio integration)
- Selectable Ground Isolation
- Removable Power/Speaker Terminals
- Audiophile Tiffany RCA inputs
- Includes Remote Level Control with Effect Defeat



DIGITAL BASS RESTORATION



INPUT SENSITIVITY

Hi-Level : 2-20Vs - 4-40V (internally selectable)

RCA : 0.5-5V- 1-10V (internally selectable)

Maximum Hi-Level Input Voltage : 40Vrms

Frequency Response : 15Hz to >25kHz

THD+N (SPK/RCA) : <0.05% / <0.1%

Maximum Output Voltage - 10Vrms

BASS RESTORATION

Effect Gain : 0 - 18dB

Width : Nar-Wide

Freq : 30-80Hz

Variable Subsonic Filter : 15Hz-50Hz

+12V Remote Output : 500mA

Chassis Dimensions : 1.1"x3.5"x5.2" (29x90x133mm)



8" 2 Ω DVC SUBWOOFER



EWX 6NEO

6.5" 4 Ω DVC SUBWOOFER
500 WATTS DYNAMIC
250 WATTS NOMINAL

EWX 8NEO

8" 4 Ω DVC SUBWOOFER
600 WATTS DYNAMIC
300 WATTS NOMINAL

Optimized for Low Tuned Vented Enclosures

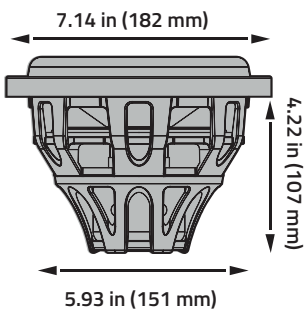
Perfect for Truck Enclosures or Compact Cars

BIG BASS out of a small enclosure

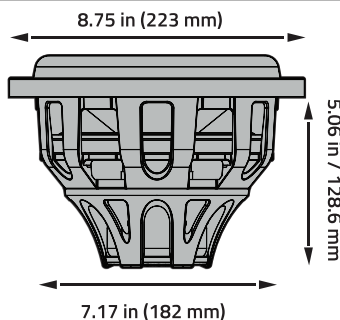
High Efficiency Neo Magnets

- N38 Neodymium Motor Design
- Pulp Fiber Reinforced Cone
- Multi-Layer Foam Surround
- Progressive Dampeners
- 1.5" (38 mm) Dual 4 Ω Voice Coil (EWX 6NEO)
- 2" (51 mm) Dual 4 Ω Voice Coil (EWX 8NEO)

EWX6NEO



EWX8NEO



RECOMMENDED AIR SPACE

SEALED VOLUME

VENTED VOLUME

EWX 6NEO 0.3 cu ft. (8.5 L) 0.42 cu ft. (11.89 L)

EWX 8NEO 0.5 cu ft. (14.16L) 0.6 cu ft. (17L)

RECONE KITS

EWX6NEO RC Recone for EWX6NEO

EWX8NEO RC Recone for EWX8NEO



EWXC 12D4

12" 4 Ω DVC SUBWOOFER
4000 WATTS DYNAMIC
2000 WATTS NOMINAL

EWXC 15D4

15" 4 Ω DVC SUBWOOFER
4000 WATTS DYNAMIC
2000 WATTS NOMINAL

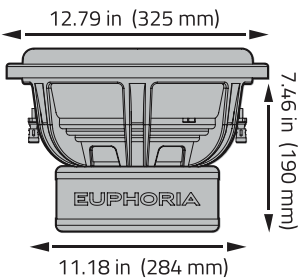
Ceramic Ferrite Magnets

Die-Cast Aluminum Vented Basket

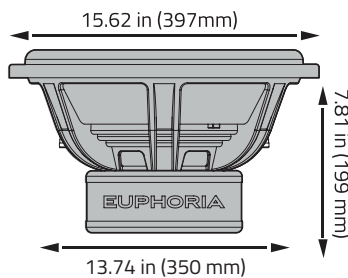
High Excursion Spider Design

- 184oz Ceramic Ferrite Magnet
- Low Carbon Steel and Bottom Plates
- 1.5" Wide DFM Foam Blend
- Designed to Optimize SPL Performance
- High Excursion Spider Design
- Dual 4Ω Voice Coils

EWXC 12D4



EWXC 15D4



RECOMMENDED AIR SPACE

	SEALED VOLUME	VENTED VOLUME
EWXC 12D4	1.9 cu ft. (53.82 L)	3.27 cu ft. (92.59 L)
EWXC 15D4	3.1 cu ft. (61.73L)	4.08 cu ft. (115.53L)



Designed to Optimize SPL Performance

Blacked Out Cosmetic Design

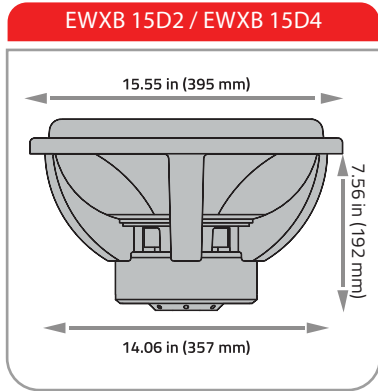
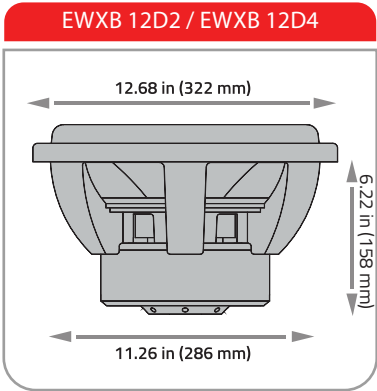
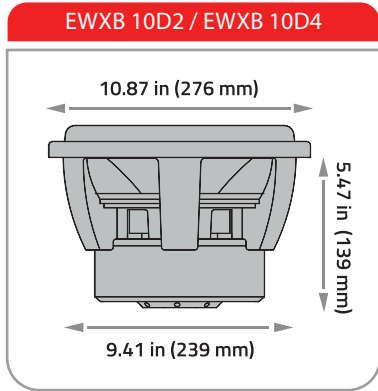
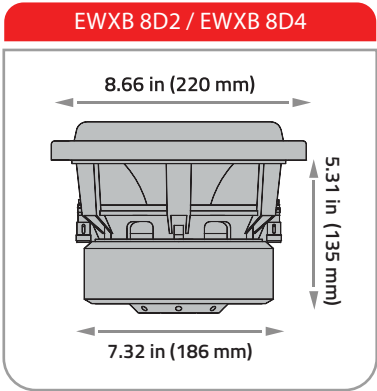
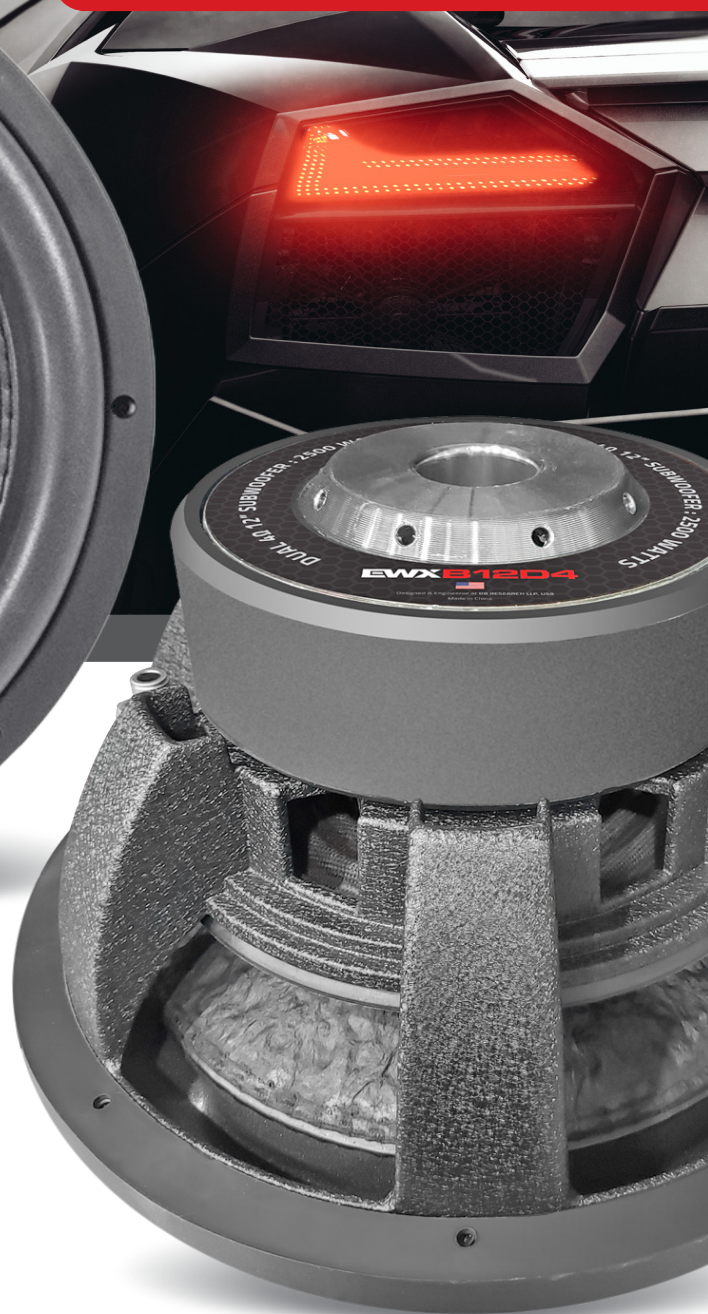
High Excursion Multi-Layer Foam Surround

Optimized for High Output Bass

- High Temperature Voice Coil
- 120 oz. Ceramic Ferrite Magnet (EWX8D2/8D4 Only)
- 145 oz. Ceramic Ferrite Magnet
- High Grade Low Carbon Steel Top & Bottom Plate
- Design to optimize SPL Performance
- 1.5" High Roll Foam Surround
- Large Gauge Push Button Speaker Terminals
- Available in Dual 2Ω or Dual 4Ω Voice Coil



MODEL	SIZE	VOICE COIL	DYNAMIC POWER HANDLING	POWER HANDLING
EWXB 8D2	8" Subwoofer	2Ω Dual Voice Coil	1500 Watts	600 Watts
EWXB 8D4	8" Subwoofer	4Ω Dual Voice Coil	1500 Watts	600 Watts
EWXB 10D2	10" Subwoofer	2Ω Dual Voice Coil	2500 Watts	1000 Watts
EWXB 10D4	10" Subwoofer	4Ω Dual Voice Coil	2500 Watts	1000 Watts
EWXB 12D2	12" Subwoofer	2Ω Dual Voice Coil	2500 Watts	1000 Watts
EWXB 12D4	12" Subwoofer	4Ω Dual Voice Coil	2500 Watts	1000 Watts
EWXB 15D2	15" Subwoofer	2Ω Dual Voice Coil	2500 Watts	1000 Watts
EWXB 15D4	15" Subwoofer	4Ω Dual Voice Coil	2500 Watts	1000 Watts



RECOMMENDED AIR SPACE

	SEALED VOLUME	VENTED VOLUME
EWXB 8D2	0.5 cu ft.	0.94 cu ft.
EWXB 8D4	0.5 cu ft.	0.94 cu ft.
EWXB 10D2	1.27 cu ft.	1.49 cu ft.
EWXB 10D4	1.27 cu ft.	1.49 cu ft.
EWXB 12D2	1.49 cu ft.	1.8 cu ft.
EWXB 12D4	1.49 cu ft.	1.8 cu ft.
EWXB 15D2	2.8 cu ft.	3.10 cu ft.
EWXB 15D4	2.8 cu ft.	3.10 cu ft.



Distortion Free Excursion

SQL Designed Performance

Optimized for Small Enclosures

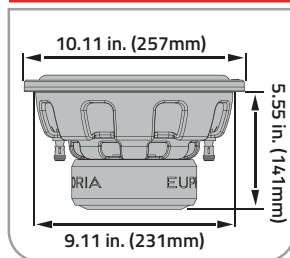
- Foam ribbed surround
- Non-pressed paper cone with high excursion
- Large gauge push button speaker wire terminals
- High temp voice coil wire around a vented ksv former
- Pole piece and radial basket venting for optimum
- Voice coil cooling
- Linear roll progressive dampener
- Proprietary protective magnet band
- Anti-resonance heavy gauge solid steel frame



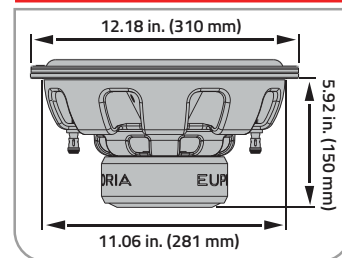
RECOMMENDED AIR SPACE

	SEALED VOLUME	VENTED VOLUME
EWXPW 10D4	1.0 cu ft.	1.09 cu ft.
EWXPW 12D4	1.25 cu ft.	1.78 cu ft.

EWXPW 10D4



EWXPW 12D4



MODEL	SIZE	VOICE COIL	DYNAMIC POWER HANDLING	POWER HANDLING
EWXPW 10D4	10" Subwoofer	4Ω Dual Voice Coil	1500 Watts	500 Watts
EWXPW 12D4	12" Subwoofer	4Ω Dual Voice Coil	1500 Watts	500 Watts

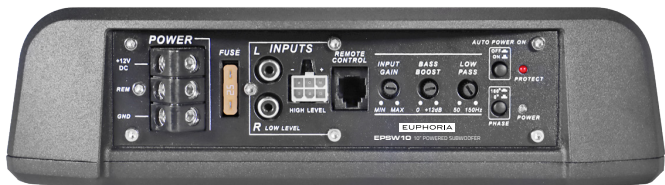


EPSW 10
10" Powered Subwoofer

COMPACT CHASSIS DESIGN

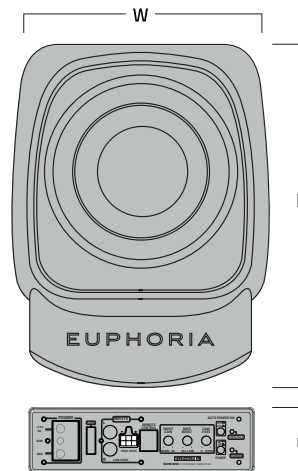
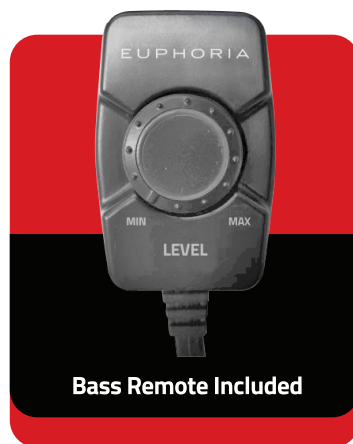


EPSW 8
8" Powered Subwoofer



- Power Status Led
- Phase Shift
- Auto Power ON
- Low Pass Filter
- Bass Boost
- Input Gain Control
- Remote Level Control Port
- Low Level RCA Inputs
- High Level (Speaker Level) Inputs

SPECIFICATIONS	EPSW8	EPSW10
Max Power	250 Watts	300 Watts
RMS Power	125 Watts	150 Watts
THD	<0.2%	<0.2%
Freq. Response	50Hz-150Hz	50Hz-150Hz
Input Sensitivity - High Level	5V-20V	5V-20V
Input Sensitivity - Low Level	0.2V - 5V	0.2V - 5V
Low Pass Filter	50Hz - 150Hz	50Hz - 150Hz
Bass Boost	12dB	12dB
Subwoofer	8"	10"



EPSW-RM2
Optional Bass Remote with
Dual Subwoofer Output
Compatible with EPSW10/EPSW8

MODEL	LENGTH	HEIGHT	WIDTH
EPSW8	12.65 in. (321 mm)	3 in. (76 mm)	9.5 in. (241 mm)
EPSW10	14.37 in. (365 mm)	3 in. (76 mm)	10.5 in. (267 mm)



- Plush Protective Carpet**
- High Output Low Velocity Flared Venting**
- High Excursion Protective Grills**

COMPACT DESIGN

PRELOADED WITH
EWXPW
SERIES
SUBWOOFERS

- High Grade MDF Construction
- Dual Layer Front Baffle Thick
- Plush Protective Carpet with Signature Euphoria Logo
- Factory Tuned Vent @ 38Hz
- 1Ω Dual Voice Coil
- Selectable 1Ω & 4Ω (EWXPW8-1B)

MODEL	SIZE	DYNAMIC POWER	RMS POWER	DIMENSIONS		
EWXPW8-1B	Single 8" Subwoofer	500 Watts	250 Watts	L: 17.12 in. (435mm)	W: 10.43 in. (265 mm)	H: 9.44 in. (240 mm)
EWXPW8-2B	Dual 8" Subwoofer	1000 Watts	500 Watts	L: 20 in. (508 mm)	W: 10.43 in. (265 mm)	H: 9.44 in. (240 mm)
EWXPW12-2B	Dual 12" Subwoofer	3000 Watts	1500 Watts	L: 27.9 in. (710mm)	W: 12.9 in. (330 mm)	H: 14.9 in. (380 mm)
EWXPW8-1SB	Single 8" Shallow Sub	500 Watts	250 Watts	L: 18.5 in (470mm)	W: 6.24 in. (159 mm)	H: 13 in. (330 mm)



EWXPW8-1SB

Plush Protective Carpet

High Output Low Velocity Flared Venting

High Excursion Protective Grills

Factory Tuned at 38Hz



→] MICRO PROFILE [←
DESIGN

PRELOADED WITH

EWXPW
SERIES

SUBWOOFERS

- High Grade MDF Construction
- Dual Layer Front Baffle Thick
- Plush Protective Carpet with Signature Euphoria Logo
- Factory Tuned Vent @ 38Hz
- Spring Loaded Terminals
- Selectable 1Ω & 4Ω

EW7

SHALLOW SERIES



Great for Under Seat Pick-Up Enclosures or Compact Cars

Optimized for Shallow Enclosures with Minimal Airspace

High Strength Inverted IMMP Cone with Foam Surround



IMMP CONE



Radial VC Venting



Shallow Mounting

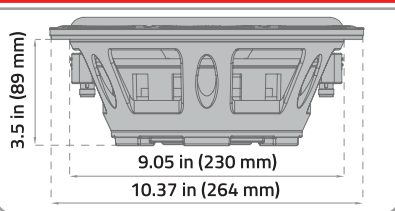
RECOMMENDED AIR SPACE

SEALED VOLUME VENTED VOLUME

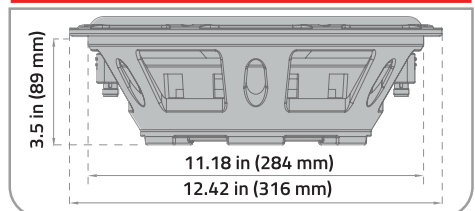
EW7 10F 0.45 cu ft. N/A

EW7 12F 0.55 cu ft. N/A

EW7 10F



EW7 12F



MODEL

SIZE

VOICE COIL

DYNAMIC POWER HANDLING

POWER HANDLING

EW7 10F

10" Subwoofer

4Ω DVC

1000 Watts

300 Watts

EW7 12F

12" Subwoofer

4 Ω DVC

1000 Watts

300 Watts



HIGH PASSION PERFORMANCE ENGINEERED FOR THE MASSES

Performance packed engineering make the **EUPHORIA EW5 SUBWOOFERS** the elite subwoofers in their class.

Innovative motor structure maximizes bass output while keeping music sounding as tight and accurate as the day it was recorded.

Radial venting for voice coil cooling extends durability for endless musical performance. The EW5 subwoofers are the ideal fit in any vented or sealed application.



Powerful
Motor Structure



Stealth
Lock Gasket

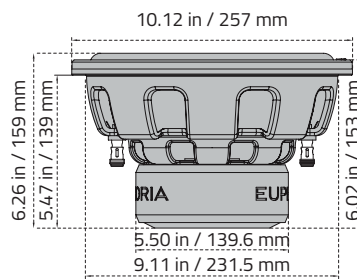


Radial VC Venting

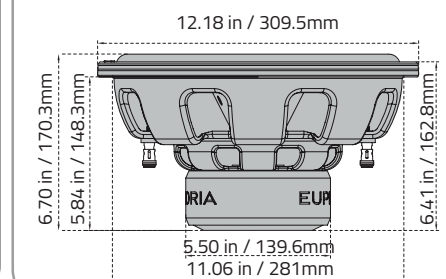
RECOMMENDED AIR SPACE

	SEALED VOLUME	VENTED VOLUME
EW5 10D4	1.15 cu ft.	1.31 cu ft.
EW5 12D4	1.3 cu ft.	1.58 cu ft.

EW5 10D4



EW5 12D4



MODEL	SIZE	VOICE COIL	DYNAMIC POWER HANDLING	POWER HANDLING
EW5 10D4	10" Subwoofer	4Ω DVC	1000 Watts	350 Watts
EW5 12D4	12" Subwoofer	4 Ω DVC	1000 Watts	350 Watts

EW3 SERIES



HIGH PERFORMANCE
BASS
UNTOUCHABLE PRICE

The **EUPHORIA EW3 SUBWOOFERS** are loaded with many of the same features found in the EW5 subwoofers, included at a value that can't be touched.

The EW3 are the perfect upgrade to any factory sound system. High performance bass that you have grown to expect from any DB Drive subwoofer. Wanting a kick ass stereo system doesn't have to be a crime, don't let the competition steal your money.



Powerful Motor Structure

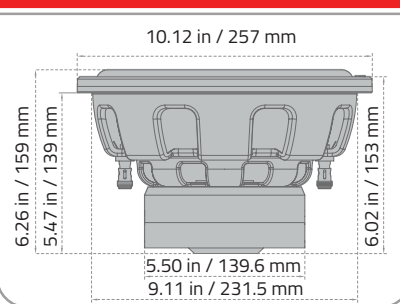


Stealth Lock Gasket

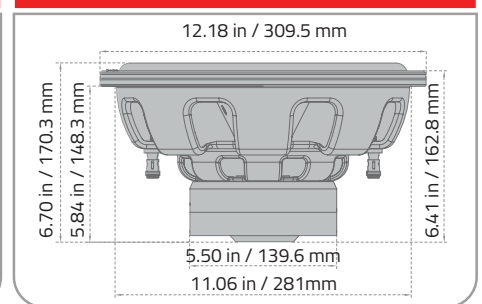


Radial VC Venting

EW3 10D4



EW3 12D4



RECOMMENDED AIR SPACE

SEALED VOLUME VENTED VOLUME

EW3 10D4 0.86 cu ft. 1.43 cu ft.

EW3 12D4 1.32 cu ft. 1.49 cu ft.

MODEL

SIZE

VOICE COIL

DYNAMIC POWER HANDLING

POWER HANDLING

EW3 10D4

10" Subwoofer

4Ω DVC

750 Watts

250 Watts

EW3 12D4

12" Subwoofer

4 Ω DVC

750 Watts

250 Watts

SUBWOOFER / AMPLIFIER

COMPABILITY CHART

SUBWOOFER	NUMBER OF SUBWOOFERS	RECOMMENDED AMPLIFIER	
EWX SERIES			
EWXPW8-1SB	Enclosure	MM750.1	MX600.1
EWXP8-1B	Enclosure	MM750.1	MX600.1
EWXPW8-2B	Enclosure	MM750.1	MX600.1
EWXPW12-2B	Enclosure	M1500.1	MX600.1
EWXB SERIES			
EWXB8D4	1 Sub @ 1 Ω	MX600.1	MM750.1
EWXB8D2	2 Subs @ 1 Ω	MX600.1	MM750.1
EWXB10D4	1 Sub @ 1 Ω	MX1200.1	MM1500.1
EWXB10D2	2 Subs @ 1 Ω	MX1200.1	MM1500.1
EWXB12D4	1 Sub @ 1 Ω	MX2000.1	MM1500.1
EWXB12D2	2 Subs @ 1 Ω	MX2000.1	MM1500.1
EWXB15D4	1 Sub @ 1 Ω	MX2000.1	MM1500.1
EWXB15D2	2 Subs @ 1 Ω	MX2000.1	MM1500.1
EWXPW SERIES			
EWXPW10D4	2 Subs @ 1 Ω	MM750.1	MX600.1
EWXPW12D4	2 Subs @ 1 Ω	MM1500.1	MX1200.1
EWX SERIES			
EWX8D4	2 Subs @ 1 Ω	MX1200.1	MM750.1
EWX8D2	1 Sub @ 1 Ω	MX600.1	MM750.1
EWX10D4	2 Subs @ 1 Ω	MX1200.1	MM1500.1
EWX10D2	1 Sub @ 1 Ω	MX600.1	MM750.1
EWX12D4	2 Subs @ 1 Ω	MX2000.1	MM1500.1
EWX12D2	1 Sub @ 1 Ω	MX1200.1	MM1500.1
EWX15D4	2 Subs @ 1 Ω	MX2000.1	MX1200.1
EWX15D2	1 Sub @ 1 Ω	MX1200.1	MM1500.1
EW SERIES			
EW7 10F	2 Subs @ 1 Ω	MM750.1	MX600.1
EW7 12F	2 Subs @ 1 Ω	MM750.1	MX600.1
EW3 10D4	2 Subs @ 1 Ω	MM750.1	MX600.1
EW3 12D4	2 Subs @ 1 Ω	MM750.1	MX600.1
EW5 10D4	2 Subs @ 1 Ω	MM1500.1	MX600.1
EW5 12D4	2 Subs @ 1 Ω	MM1500.1	MX600.1



E6 Component System

ETW-1 Silk Dome Tweeter

- Dampened Aluminum Alloy Chassis
- High Energy N40 Neodymium Magnet
- Under Diaphragm Dampening
- Low Frequency Rear Resonance Chamber
- Canted Bottom Back Wave Deflector

E6 6.5" Mid-Range Driver

- Polycarbonate Non-Magnetic Frame Structure
- Radial Frame Venting
- Kraft Pulp Wool Mixed Paper Cone
- Soft Fillet Roll NB UV Resistant Surround
- 30.5mm CCAW Kapton Former
- 10mm Extended Gap Depth
- Barium Ferrite Push Magnet
- Active Induction Copper Modulation Pole Cap
- Reverse EMF Bucking Neo Magnet

Audiophile Grade 2-Way Passive Crossover System

- High Current Pure Copper Air Core Coil Inductors
- Metalized Polypropylene Capacitors
- Aluminum Chassis Wire-Wounds Non-Inductive Resistors
- 3 Position Adjustable Tweeter Attenuation

ETW-1 Silk Dome Tweeter

Chassis Dimensions H x W: 2.67" x 3.23" (68 mm x 82 mm)

Mounting Depth: 1.16" (30 mm)

Cutout Diameter: 2.22" (57 mm)

E6 6.5" Mid Range Driver

Frame Diameter: 6.29" (160mm)

Mounting Depth: 2.95" (75mm)

Cutout Diameter: 5.62" (143mm)

E6 2-Way Passive Crossover Chassis

Width: 2.95" (75mm)

Height: 4.92" (125mm)

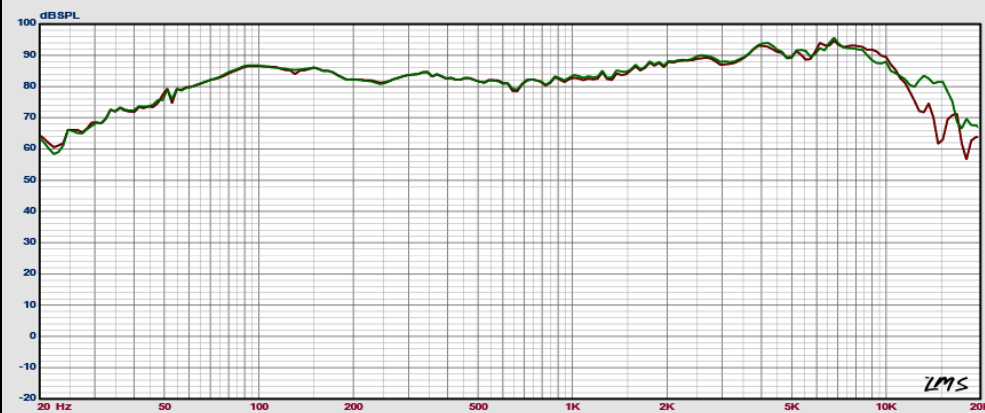
Depth: 1.67" (42.5mm)

The Ultimate Sound Quality Loudspeaker

The **E6 6.5 component system** was designed and developed from the best of DB Drive's technologies. With engineering standards taken from the most prestigious home hi-fi speakers. The E6 is a true purpose built hi-fi loud speaker system for your car. The success of the E6, is that it is built completely from the ground up. The E6 is composed of a composite coned mid-bass driver developed for the sole purpose of extreme transparent audio reproduction. The E6 30mm silk dome tweeter with rear resonance chamber technology is designed for the extremely low distortion and crystal clear reproduction.

The E6 component system goes way beyond the reasonable expectations of a conventions component system and offers unparalleled acoustical efficiency. Built for your car with no restraints demanding music lover!

Studio Sound for your Wheels



E6 COMPONENT SYSTEM FREQUENCY RESPONSE



DIE-CAST BASKET



DIE-CAST BASKET

6.5
INCH

2-WAY
COMPONENT
SYSTEM

225
WATTS

E5 Component System

E5T-1 Silk Dome Tweeter

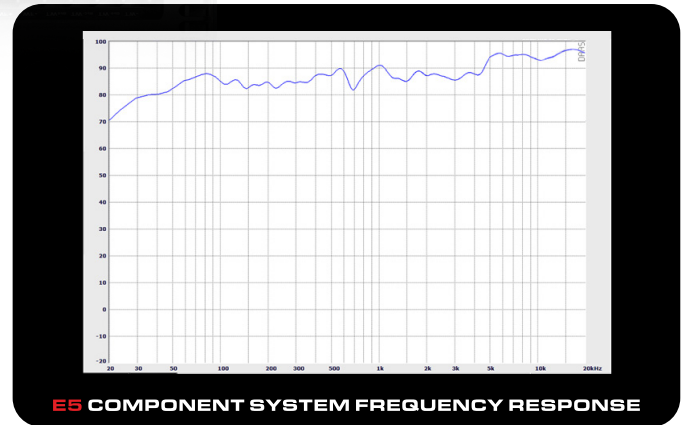
- Flush Mount Aluminum chassis
- High energy Neodymium Magnet
- Under Dome Dampening
- Low Frequency Resonance Micro -Chamber

E5 6.5" Mid-Range Driver

- Die Cast Aluminum Frame Structure
- Radial Frame Venting
- TSD Coated Pulp Mixed Paper Cone
- Soft Bi-Roll Rubber Surround
- 30.5mm KSV Voice Coil Former
- Barium Ferrite Magnet

Audiophile Grade 2-Way Passive Crossover System

- High Current Inductors
- Polypropylene Capacitors
- 3 Position Adjustable Tweeter Attenuation



E5T-1" Silk Dome Tweeter

Mounting Depth: 0.5" (13 mm)

Cutout Diameter: 2.03" (52 mm)

E6 6.5" Mid Range Driver

Frame Diameter: 6.5" (166 mm)

Mounting Depth: 2.8" (72 mm)

Cutout Diameter: 5.6" (143 mm)

E5 2-Way Passive Crossover Chassis

Length: 5.07" (129 mm)

Width: 3.34" (85 mm)



The perfect add-on or replacement tweeter FOR YOUR SOUND QUALITY SYSTEM

Immersive on and off axis frequency response keeps you in the sweet spot

1"

25MM

**SILK
DOME**

**150
WATTS**

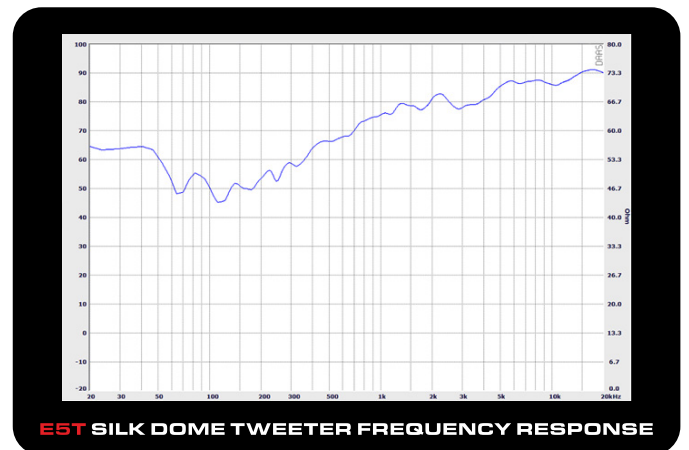
E5T Silk Dome Tweeters

E5T-1 Silk Dome Tweeter

- Flush Mount Aluminum chassis
- High energy Neodymium Magnet
- Under Dome Dampening
- Low Frequency Resonance Micro -Chamber
- Power Handling: 75 Watts
- Dynamic Power Handling: 150 Watts

Audiophile Grade 2-Way Passive Crossover System

- High Current Inductors
- Polypropylene Capacitors
- 3 Position Adjustable Tweeter Attenuation



E5T-1" Silk Dome Tweeter

Mounting Depth: 0.5" (13 mm)

Cutout Diameter: 2.03" (52 mm)

E5 2-Way Passive Crossover Chassis

Length: 5.07" (129 mm)

Width: 3.34" (85 mm)

E5PRO 6K

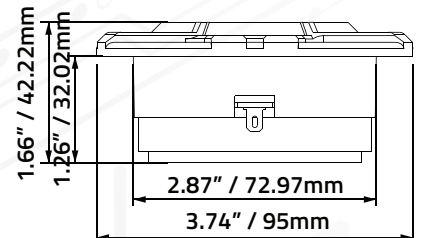
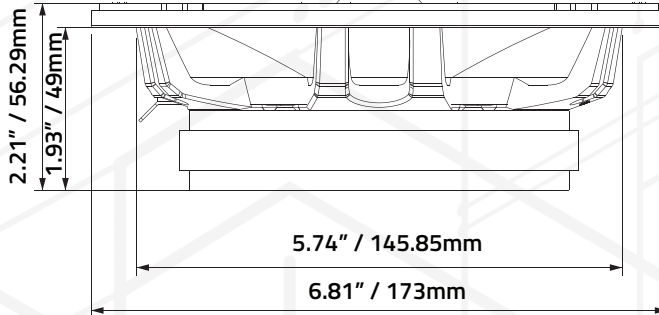
COMPONENT SYSTEM

ENGINEERED FOR High Fidelity Audio Reproduction

NEW
PRODUCT



650
WATTS



NEW
PRODUCT



E5PRO6K Component System

E5PRO 6.5" Shallow Mount 6.5" Midrange

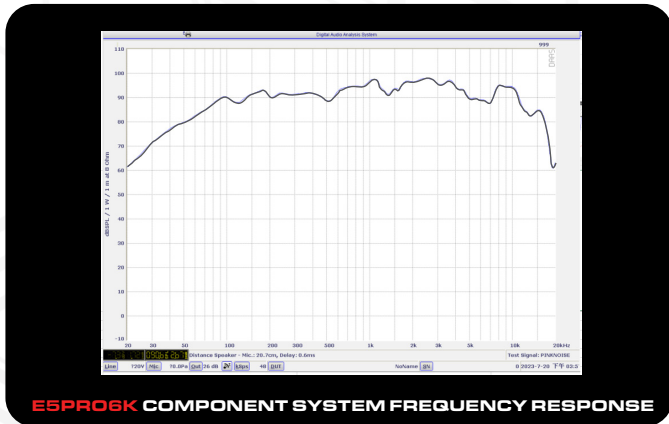
- Die Cast Aluminum Frame midrange Structure
- Radial Frame Venting
- Weather treated Pulp Mixed Paper Cone
- Quick Response Bi-Roll cloth Surround
- 38.6mm Til Voice Coil Former
- Barium Ferrite Magnet

Specifications

- Tweeter Nominal Power: 150 Watts
- Tweeter Dynamic Power: 300 Watts
- Midrange Nominal Power: 180 Watts
- Midrange Dynamic Power: 350 Watts
- Sensitivity: 106dB Tweeter / 93.2dB midrange
- Impedance: 4Ω tweeter / 4Ω midrange

E5PRO Shallow mount 1" Aluminum Compression tweeter

- Flush Mount Aluminum chassis
- High energy Barium Ferrite Magnet
- Wide Dispersion waveguide



E5PRO 1" Aluminum Compression tweeter

Mounting Depth: 1.26" / 32.02mm

Cutout Diameter: 2.87" / 72.97mm

E5PRO 6.5" Midrange

Frame Diameter: 6.5" (166 mm)

Mounting Depth: 1.93" / 49.00mm

Cutout Diameter: 5.74" / 145.85mm

E5PRO 6MPR

6.5" AUDIOPHILE PRO AUDIO MIDRANGE

NEW
PRODUCT



E5PRO6MPR

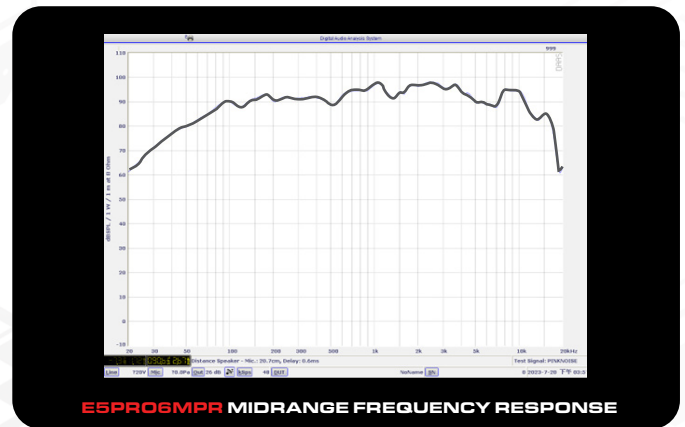
E5PRO 6.5" Shallow Mount 6.5" Midrange

- Die Cast Aluminum Frame midrange Structure
- Radial Frame Venting
- Weather treated Pulp Mixed Paper Cone
- Quick Response Bi-Roll cloth Surround
- 38.6mm Til Voice Coil Former
- Barium Ferrite Magnet

Specifications

- Nominal Power: 180 Watts
- Dynamic Power: 350 Watts
- Sensitivity: 93.2 dB
- Impedance: 4Ω

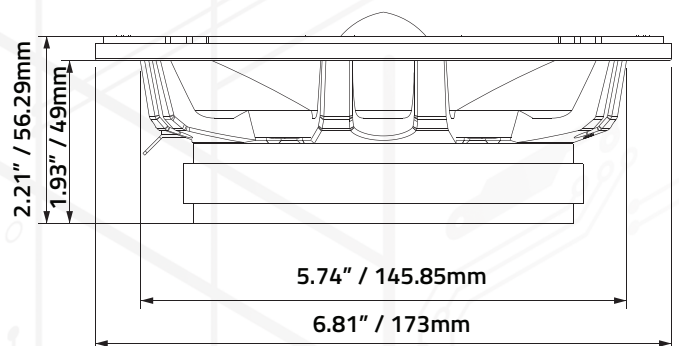
350
WATTS



E5PRO 1" Aluminum Compression tweeter

Mounting Depth: 1.93" / 49mm

Cutout Diameter: 5.74" / 145.85mm



E5PRO 1TW

SHALLOW MOUNT 1" ALUMINUM COMPRESSION TWEETER

NEW
PRODUCT



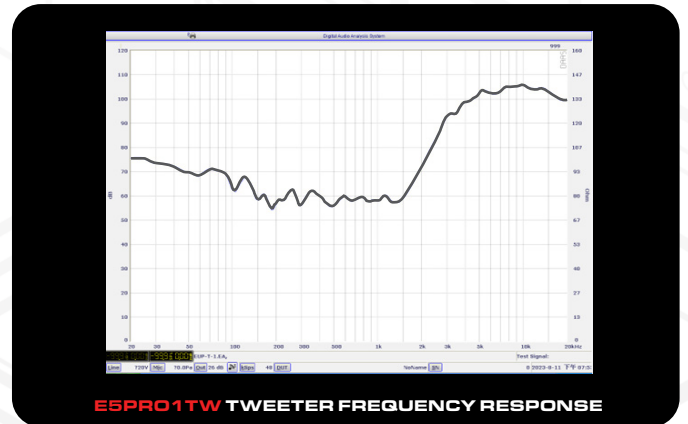
E5PRO1TW

E5PRO Shallow mount 1" Aluminum Compression tweeter

- Flush Mount Aluminum chassis
- High energy Barium Ferrite Magnet
- Wide Dispersion waveguide

Specifications

- Nominal Power: 150 Watts
- Dynamic Power: 300 Watts
- Impedance :4Ω

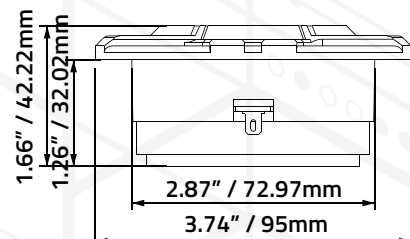


E5PRO 1" Aluminum Compression Tweeter

Frame Diameter: 3.74" / 95 mm

Mounting Depth: 1.26" / 32.02 mm

Cutout Diameter: 2.87" / 72.97 mm



EPC6K

COMPONENT SYSTEM

The EPC6K is the result of the commingling of Car audio and Pro-audio Speaker technologies.

This Revolutionary High-Impact Sound quality component will far out perform traditional loudspeakers with its super-efficient mid and long-throw tweeter that is perfectly balanced for audiophile musical reproduction at amazing volume levels.



6.5
INCH

2-WAY
COMPONENT
SYSTEM

500
WATTS

DIE-CAST BASKET

EPC6K Component System

Features & Specifications

- High Efficiency Component System
- 6.5" Component Loudspeaker
- Ultra Light Weight Paper Cone
- High Reaction Ribbed Surround
- 1" (25 mm) High Temperature Voice Coil
- Die-Cast Aluminum Anti Resonance Basket
- 1.25" (28 mm) Aluminum Dome Tweeter
- Muti-Mount Tweeter Flange
- 12dB Passive Crossover Network
- Grill Included
- 6.5" 2-Way Component System
- RMS Power Handling : 250 Watts
- Dynamic Power Handling : 500 Watts
- Recommended Power Range RMS : 75 Watts - 150 Watts
- Frequency Response : 80 Hz - 21 KHz
- Impedance : 4Ω
- Sensitivity : 103.5 dB



PROTECTIVE GRILL

EPC1TW

COMPONENT TWEETER



Balanced Aluminum Dome adds extended high frequencies
TO YOUR FACTORY OR CUSTOM SOUND SYSTEM

1.25"
32MM

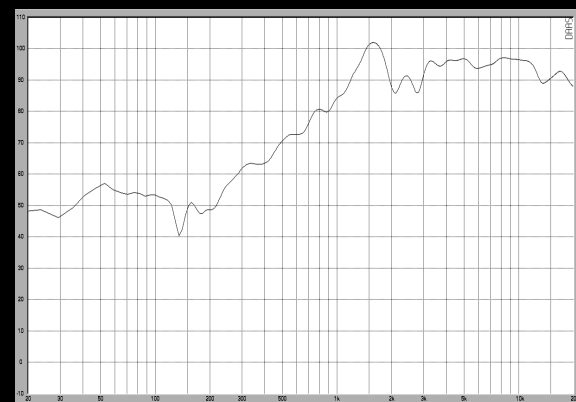
EPC-1TW Dome Tweeter

Features & Specifications

- 1.25" (32 mm) High Efficiency Component Tweeters
- Aluminum Dome
- Neo Magnet with Rear Resonance Chamber
- Surface and Flush mount application Hardware included
- 6db Passive Crossover Included
- Designed for High Output
- Frequency Response 4KHz - 22.5KHz
- Sensitivity 101.4dB
- Power Handling: 150 Watts RMS / 225 Watts Peak
- 4Ω Rated Impedance
- 1 Pair

Rear resonance chamber enables smoother tweeter
to mid-range frequency blending

Multi-Mount installation fits in any car application



EPC1TW FREQUENCY RESPONSE

EPC-1TW Dome Tweeter

Mounting Depth: 0.89" (22 mm)

Cutout Diameter: 2.24" (57mm)

EPM65N

6.5" NEO MID-RANGE



NEO

6.5
INCH

MID-RANGE

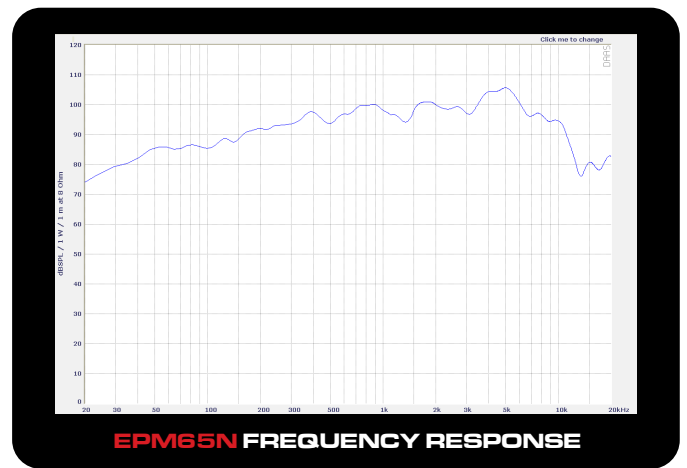
DIE-CAST BASKET

EPM65N NEO Mid-Range

6.5" (165 mm) NEO Mid-Range

- Weather Resistant Treated Paper Cone
- Bi-ribbed Cloth Surround
- High Temperature Voice Coil
- Copper Frequency Modulation Ring
- Die-Cast Aluminum Basket
- Mono Radial Neodymium Ring Magnet
- Shallow Mount Design
- Protective grill included
- Sold as single
- RMS Power Handling: 180 Watts
- Dynamic Power Handling: 350 Watts
- Recommended Power Range RMS: 100 Watts - 150 Watts
- Frequency Response: 80Hz - 5500Hz
- Impedance: 4 Ω
- Sensitivity: 92 dB

**SOLD AS
SINGLE**



EPM65N NEO Mid Rangez

Mounting Depth: 2.61" (66 mm)

Cutout Diameter: 5.66" (144 mm)

EPT1N

HIGH OUTPUT NEO TWEETER

PRO AUDIO

HIGH OUTPUT TITANIUM DIAPHRAGM



mini

Radial dispersion waveguide design fills the area with sound

Ultra Shallow Design fits most door panels

NEO

1.25"
32MM

**TITANIUM
DIAPHRAGM**

**300
WATTS**

EPT1N High Output NEO Tweeter

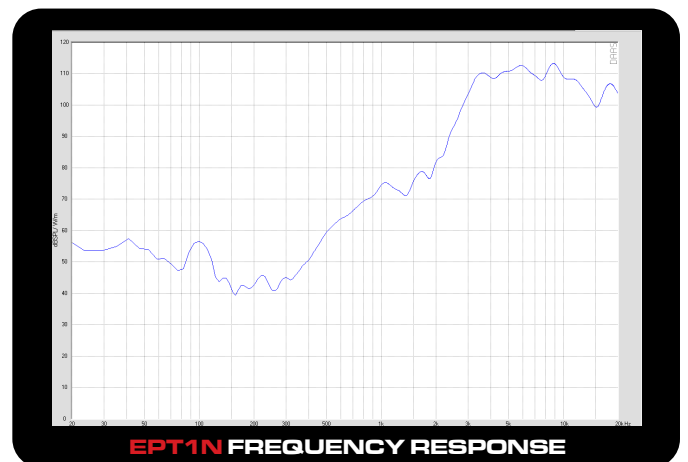
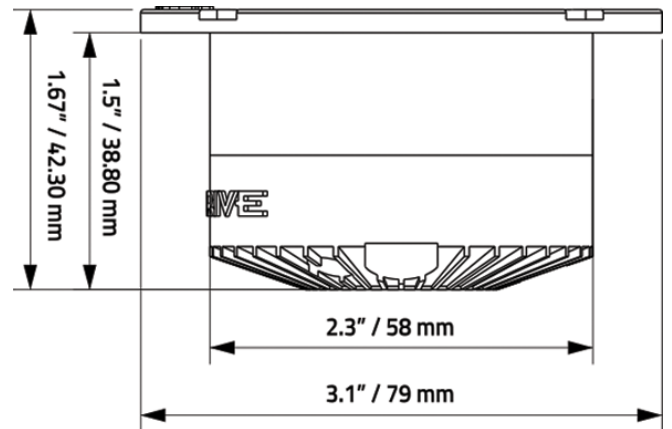
Features & Specifications

- 1.25" Voice Coil
- Titanium Diaphragm
- Neodymium Magnet
- Ultra-Shallow Mounting design
- Aluminum Die-Cast Waveguide Construction
- Includes 6dB Per Octave Crossover
- Frequency Response 5KHz - 22KHz
- Power Handling: 125 Watts RMS / 300 Watts Peak
- Sensitivity: 105 dB
- 4Ω Rated Impedance
- 1 Pair

EPT1N High Output NEO Tweeter

Mounting Depth: 1.5" (38 mm)

Cutout Diameter: 2.3" (58 mm)



EPT1N RC

Recone for EPT1N

ES9 SERIES



ES9 Component System

Features & Specifications

- 6.5" Component Speaker
- 1" (25mm) Aluminum / Magnesium Polymer Dome
- Ultra-light Hybrid Glass Fiber Cone
- Butyl Rubber Surround
- 1" (25mm) High Temperature Voice Coil
- Die-Cast Basket Design
- Anti-resonance Basket treatment
- Proprietary Protective Magnet Band
- 12 db External Premium X-over
- RMS Power Handling: 100 Watts
- Dynamic Power Handling: 300 Watts
- Recommended Power Range RMS: 75 Watts - 100 Watts
- Frequency Response: 30 Hz - 22 Hz
- Impedance: 4 Ω
- Sensitivity: 93 dB

DIE-CAST BASKET

6.5
INCH

2-WAY
COMPONENT
SYSTEM

300
WATTS

ES9 Component System

Mounting Depth: 2.56" (65 mm)

Cutout Diameter: 5.63" (143 mm)



Offering the highest level of perfection in every aspect,
**the Euphoria Series is the pinnacle of modern-day car
audio technology and craftsmanship.**

Taking the "live" music concept into a new realm, this high-end lineup utilizes new materials, transducer advances and proprietary. (sounds off)

ES9 SERIES



DIE-CAST BASKET

3.5
INCH

3-WAY
ADD-ON KIT

MID-RANGE

300
WATTS

ES9 3.5" Component Mid-Range

Features & Specifications

- 3.5" (88.9mm) Component Mid-Range
- Hybrid Complex Polypropylene Cone
- Cloth Surround
- High Temperature Voice Coil
- Die-Cast Basket design
- Anti-resonance Basket treatment
- Shallow Neo Magnet
- 3.5" Mid-Range add on kit for ES9 6C
- ES9 X3.5 Passive Crossover recommended
- RMS Power Handling: 100 Watts
- Dynamic Power Handling: 300 Watts
- Recommended Power Range RMS: 75 Watts - 100 Watts
- Frequency Response: 200Hz - 3200Hz
- Impedance: 3.1 Ω
- Sensitivity: 89 dB



ES9 Component Mid-Range

Mounting Depth: 1.55" (39 mm)

Cutout Diameter: 3" (76 mm)



ES9 1T 1" Aluminum Tweeter

Features & Specifications

- 1" (25mm) Aluminum / Magnesium Poler Dome Tweeter
- Flush and Surface Mount Function
- 12 db External Premium X-Over
- RMS Power Handling : 85 Watts
- Dynamic Power Handling : 250 Watts
- Recommended Power Range RMS : 45 Watts – 85 Watts
- Frequency Response : 3.5 Hz – 20 KHz
- Impedence : 4Ω
- Sensitivity : 91 dB

ES9 X3.5 3-Way Passive Crossover

Features & Specifications

- Tweeter High Pass Filter: 4600 Hz HP @ 12db per octave
- Mid-Range Band Pass Filter: 1600 Hz HP @ 6 db per Octave
- Mid-bass Low Pass Filter: 1600 Hz HP @ 6 db per Octave
- Designer to Convert your ES9 way Component into a 3 -way Component [ES9 3.5 Component Miderange is Required]
- The ES9 3.5X3 -Way Passive Crossover Replaces the ES9 6C included 2 Way Passive Crossover.



(Sold Separately)

ES7 SERIES



STAMPED STEEL BASKET

6.5
INCH

2-WAY
COMPONENT
SYSTEM

225
WATTS

ES7 6C Component Mid-Range

Features & Specifications

- 6.5" Component Speaker
- 1" (25mm) Iridium Aluminum Dome
- Hybrid Complex Polypropylene Cone
- Butyl Rubber Surround
- 1" (25mm) high temperature voice coil
- Rigid Stamped Steel DB Basket design
- Anti-resonance Basket treatment
- Proprietary protective magnet band
- 12 db External X-over
- RMS Power Handling: 85 Watts
- Dynamic Power Handling: 225 Watts
- Recommended Power Range RMS: 75 Watts - 100 Watts
- Frequency Response: 200Hz - 3200Hz
- Impedance: 3.1 Ω
- Sensitivity: 89 dB

ES7 6C Component Mid-Range

Mounting Depth: 2.56" (65 mm)

Cutout Diameter: 5.63" (143 mm)

ES7 SERIES



ES7 69 6x9" 3-Way Speaker

**STAMPED STEEL
BASKET**

ES7 Speakers

Features & Specifications

- Hybrid Complex Polypropylene Cone
- Butyl Rubber Surround Heavy Gauge Steel
- Proprietary Stamped Basket
- 1" (25mm) Voice coil/ Ferrite Oxide Magnet
- Tweeter- 1" (25mm) Black Aluminum Dome
- Neodymium Magnet

ES7 60 6.5" 2-Way Speaker

MODEL	DESCRIPTION	NOMINAL POWER	MAX POWER	FREQ. RESPONSE
ES7 1T	1" Aluminum Tweeter	75 Watts	200 Watts	3 KHz - 22 KHz
ES7 60	6.5" 2-Way Speaker	75 Watts	225 Watts	30 Hz - 22 KHz
ES7 57	5x7" 2-Way Speaker	75 Watts	225 Watts	30 Hz - 22 KHz
ES7 69	6x9" 3-Way Speaker	95 Watts	280 Watts	28 Hz - 22 KHz

ES5 SERIES



STAMPED STEEL BASKET



ES5 6C Component Mid-Range

Features & Specifications

- 6.5" Component Speaker
- 1/2" (13 mm) PEI Dome Tweeter
- Polypropylene Cone
- Even-Pressure Foam Surround
- 1" (25 mm) high temperature voice coil
- Rigid Stamped Steel DB Basket design
- Anti-resonance Basket treatment
- Proprietary protective magnet band
- RMS Power Handling : 85 Watts
- Dynamic Power Handling : 190 Watts
- Power Range RMS : 50 Watts - 85 Watts
- Frequency Response : 35 Hz - 21 KHz
- Impedence : 4Ω
- Sensitivity : 91 dB

Many speakers make a lot of promises, but very few speakers can deliver extreme performance and sound quality like the Euphoria ES5 series.

The Euphoria ES5 Loudspeakers can be at home with a custom designed amplified system with no problem , but are also designed to be very efficient, which also makes them a perfect replacement match for any factory head unit power.

In any application the Euphoria ES5 Loudspeakers acoustical performance will leave the competition in the shadows.

ES5 6C Component Mid-Range

Mounting Depth: 2.32" (59 mm)

Cutout Diameter: 5.51" (140 mm)

ES5 SERIES



ES5 60 6.5" 2-Way Speaker



ES5 69 6x9" 3-Way Speaker

STAMPED STEEL BASKET



ES5 50 5.25" 2-Way Speaker

ES5 Speakers

Features & Specifications

- PEI Dome Tweeter
- Polypropylene Cone
- Even-Pressure Foam Surround
- 1" (25mm) high temperature voice coil
- Rigid Stamped Steel DB Basket design
- Anti-resonance Basket treatment
- Proprietary protective magnet band

MODEL	DESCRIPTION	NOMINAL POWER	MAX POWER	FREQ. RESPONSE
ES5 50	5.25" 2-Way Speaker	55 Watts	160 Watts	30 Hz - 22 KHz
ES5 60	6.5" 2-Way Speaker	60 Watts	180 Watts	35 Hz - 20 KHz
ES5 57	5x7" 2-Way Speaker	65 Watts	180 Watts	30 Hz - 20 KHz
ES5 69	6x9" 3-Way Speaker	85 Watts	160 Watts	35 Hz - 21 KHz

ES3 SERIES



STAMPED STEEL
BASKET

6.5
INCH

2-WAY
COMPONENT
SYSTEM

175
WATTS

ES3 6C Component Mid-Range

Features & Specifications

- 6.5" Component Speaker
- 1/2" (12mm) PEI Dome Tweeter
- Neodymium Tweeter Magnet
- Foam Surround
- 1" (25mm) High Temperature Voice Coil
- Polypropylene Cone
- Ferrite Oxide Magnet
- 12 db External Premium X-Over
- RMS Power Handling : 75 Watts
- Dynamic Power Handling : 175 Watts
- Recommended Power Range RMS:
 - 50 Watts - 75 Watts
- Frequency Response : 40 Hz - 20 KHz
- Impedance : 4Ω
- Sensitivity : 91 dB

Looking for a high performance step up from your factory speakers? **Euphoria ES3 Loudspeakers** feature the same acoustical properties as their bigger Euphoria brothers at a more affordable value.

Wanting a better sound in your car shouldn't break the bank. **Euphoria ES3 Loudspeakers** are the perfect option if you need to replace your factory speakers or if you're on your way to building a startup system. To reproduce quality sound, you will need quality speakers ES3 delivers.

ES3 6C Component Mid-Range

Mounting Depth: 2.56" (65 mm)

Cutout Diameter: 5.63" (143 mm)

ES3 SERIES



ES3 60 6.5" 2-Way Speaker

ES3 693 6x9" 3-Way Speaker



ES3 Speakers

Features & Specifications

- 1/2" (13 mm) PEI Dome Tweeter
- Polypropylene CoVne
- Even-Pressure Foam Surround
- 1" (25mm) high temperature voice coil
- Rigid Stamped Steel Basket
- Anti-resonance Basket treatment
- Proprietary protective magnet band

STAMPED STEEL BASKET

ES3 603 6.5" 3-Way Speaker

MODEL	DESCRIPTION	NOMINAL POWER	MAX POWER	FREQ. RESPONSE
ES3 35	3.5" 2-Way Speaker	35 Watts	75 Watts	85 Hz - 20 KHz
ES3 40	4" 2 Way Speaker	40 Watts	80 Watts	75 Hz - 20 KHz
ES3 46	4x6" 2-Way Speaker	40 Watts	80 Watts	65 Hz - 20 KHz
ES3 50	5.25" 2-Way Speaker	45 Watts	90 Watts	55 Hz - 20 KHz
ES3 57	5x7" 2-Way Speaker	55 Watts	125 Watts	40 Hz - 20 KHz
ES3 60	6.5" 2-Way Speaker	50 Watts	150 Watts	35 Hz - 20 KHz
ES3 603	6.5" 3-Way Speaker	55 Watts	125 Watts	40Hz - 20 KHz
ES3 693	6x9" 3-Way Speaker	75 Watts	150 Watts	40Hz - 20 KHz



**STAMPED STEEL
BASKET**

**6.5
INCH**

**2-WAY
COMPONENT
LOUDSPEAKER**

**250
WATTS**

ES1 65C Component Mid-Range

Features & Specifications

- 6.5 in. Component Speaker
- 1" Silk Dome Tweeter
- Heavy Gauge Stamped Steel Basket
- Aluminum Voice Coil
- Butyl Rubber Surround
- TSD Coated Pressed Paper Cone
- RMS Power Handling : 65 Watts
- Dynamic Power Handling : 250 Watts
- Frequency Response : 40Hz - 20KHz
- Impedance : 4Ω
- Sensitivity : 92 dB

**THE ULTIMATE AUDIO UPGRADE IN THE
PERFORMANCE TO VALUE CATEGORY.**

The Euphoria S1 series loudspeakers offer a superior audio upgrade over factory sound.

ES1 6C Component Mid-Range

Mounting Depth: 2.36" (60 mm)

Cutout Diameter: 5.63" (143 mm)



STAMPED STEEL BASKET

6.5
INCH

2
WAY

110
WATTS

ES1 60 Speakers

Features & Specifications

- Dome Material 1/2" (13mm) Mylar
- Dome Magnet Material
- Cone Material : Polypropylene
- Surround : Rubber Butyl
- Voice Coil Diameter 1" (25mm)
- Magnet Material : Ferrite Oxide

ES1 60 Component Mid-Range

Mounting Depth: 2.25" (57 mm)

Cutout Diameter: 5.5" (140 mm)



EUPHORIATM

www.EUPHORIACARAUDIO.com



302 Hanmore Industrial Parkway/Harlingen, TX 78550

Toll Free: (877) 787-0101 Fax: (956) 421-4513

www.euphoriacaraudio.com sales@dbdrive.net

Printed in China

ECAT24A

ECAT24A