



POWERSPORTS

2024-2025 PRODUCT GUIDE



NEO
AMPLIFIERS

DB LINK
LIGHTING SOLUTIONS

AMPHIBIOUS
MARINE PRODUCTS

WDX
LOUDSPEAKERS



TABLE OF CONTENTS

Wireless Source Units.....	4
WDX Marine Amplifiers.....	6
WDX MOTO Amplifiers.....	8
NEO Amplifiers.....	10
RGB Series Tower Speakers.....	14
WDX-G2 Mini Tower Speakers	17
RGB Series Speakers	20
APS Speakers	21
MOTO CD Speakers	22
WDX MOTO Loudspeakers	24
WDX Jeep Speakers	26
Shallow Mount Subwoofer.....	30
Amplifier Kits	32
RGB Series LED Lighting.....	33
RGB Accessories	36
LED Lighting.....	37
LED Marine Lights.....	39
UTV System Diagram.....	40
CAN-AM RGB Light Bars System Diagram	41
Marine System Diagram.....	42





BEING OUTDOORS
JUST GOT BETTER



DBT Series

BLUETOOTH CONTROL RECEIVERS

FEATURES

- Bluetooth 5.3
- Controls volume up and down
- Track up and down selection
- Play and pause
- Selectable Bluetooth or AUX inputs
- 2 Volt RCA output (DBT100v2)
- 3 Volt RCA output (DBT150v2)
- Amplifier Remote turn on lead

MODEL DBT100V2

BLUETOOTH CONTROL RECEIVER

WITH RCA & REMOTE TRIGGER OUTPUT

MODEL DBT150V2

BLUETOOTH CONTROL RECEIVER

WITH 3 SETS OF RCA & REMOTE TRIGGER OUTPUTS



MODEL DBT300 DIGITAL MEDIA RECEIVER



**4 Channels x 40 Watts
160 Watts Peak Power**

**Load Impedance: 4 - 8Ω
Master Carton: 18**

DIMENSIONS

Diameter: 4.09" / 104mm

Mounting Depth: 3" / 76.2mm

Cut Out Diameter: 3" / 76.2mm



**NEW FOR
2024**

WIRELESS SOURCE UNITS

MODEL **DBLBT2** BLUETOOTH 5.3 MODULE

All major controls at your fingertips:
Volume, Pause, Track Advance and Rewind



Works with iPhone
and Android Devices



Perfect for:

- Off-Road Cruising
- Portable Installs
- Marine Adventures

Master Carton: 50
Inner Carton: 10



5.3 MODULE WITH VOLUME CONTROL

Easy sync to your
Bluetooth media device.



OFF-ROAD CRUISIN'



PORTABLE INSTALLS

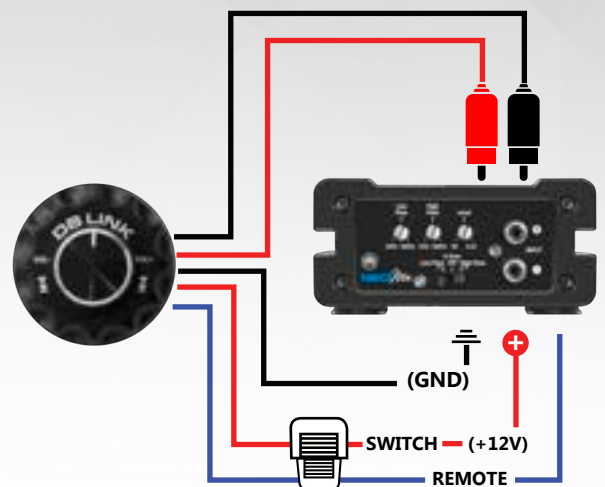


MARINE ADVENTURES



ALL MAJOR CONTROLS AT YOUR FINGERTIPS

- VOLUME**
- PAUSE**
- TRACK
ADVANCE**
- TRACK
REWIND**





WDX M4

4 CHANNEL FULL RANGE CLASS D AMPLIFIER



WDX AMPLIFIER FEATURES

- 4 Channel Class D Full Range Technology
- IPX6 Marine grade conformal coated PCB
- ACT – Adaptive Crossover Technology
- CHM – Collective Heat Management
- APC – Audio Protection Circuit
- 2 ohm stereo load capability
- Bridgeable outputs @ 4ohm load
- Compatible with any 4/2 ohm loudspeaker



WDX M4

4 CHANNEL FULL RANGE CLASS D AMPLIFIER

4Ω @ 14.4 Volts	4 x 150 Watts
2Ω @ 14.4 Volts	4 x 300 Watts
Bridged @ 14.4 Volts	2 x 600 Watts

DIMENSIONS	
L-	10.13 in (257mm)
H-	2 in (50.8mm)
W-	5.25 in (134mm)

Master Carton: 5



WDX M1.5

MONOBLOCK CLASS D FULL RANGE TECHNOLOGY



WDX AMPLIFIER FEATURES

- Monoblock Class D Full Range Technology
- IPX6 Marine grade conformal coated PCB
- ACT – Adaptive Crossover Technology
- CHM – Collective Heat Management
- APC – Audio Protection Circuit
- Amphibious Compliant connections
- 1 ohm mono capability
- Compatible with any 1 or 2 ohm subwoofer
- Bass remote included



WDX M1.5

MONOBLOCK CLASS D FULL RANGE TECHNOLOGY

1Ω @ 14.4 Volts	1 x 1500 Watts
2Ω @ 14.4 Volts	1 x 750 Watts
4Ω @ 14.4 Volts	1 x 375 Watts

DIMENSIONS
L- 10.13 in (257mm)
H- 2 in (50.8mm)
W- 5.25 in (134mm)

Master Carton: 5



BASS REMOTE INCLUDED



Images displayed are for illustration purposes only and may differ from actual photos





WDX MOTO

MONOBLOCK CLASS D AMPLIFIER

WDX AMPLIFIER FEATURES

- Conformal PCB Coating
- CHM- Collective Heat Management
- ACT - Adaptive Crossover Technology
- APC - Audio Protection Circuit
- Class D Circuitry
- 4 Gauge



MODEL

WDXMOTO 2000/1

2000 WATT MONO CLASS D AMPLIFIER

1Ω @ 14.4 Volts	1 x 2000 Watts
2Ω @ 14.4 Volts	1 x 1000 Watts
4Ω @ 14.4 Volts	1 x 500 Watts



MODEL

WDXMOTO 1000/1

1000 WATT MONO CLASS D AMPLIFIER

1Ω @ 14.4 Volts	1 x 1000 Watts
2Ω @ 14.4 Volts	1 x 500 Watts
4Ω @ 14.4 Volts	1 x 250 Watts

DIMENSIONS

MODEL	L	W	H
WDXMOTO2000/1	7.54in (191.5mm)	5.32in (135.1mm)	2.46in (62.5mm)
WDXMOTO1000/1	6.65in (168.9mm)	5.32in (135.1mm)	2.46in (62.5mm)

Master Carton: 5

**NEW FOR
2024**

WDX MOTO

AMPLIFIERS

WDX MOTO

4 CHANNEL CLASS D FULL RANGE AMPLIFIER

WDX AMPLIFIER FEATURES

- Conformal PCB Coating
- CHM- Collective Heat Management
- ACT - Adaptive Crossover Technology
- APC - Audio Protection Circuit
- Class D Circuitry
- 4 Gauge



MODEL

WDXMOTO 800/4

800 WATT 4 CHANNEL CLASS D AMPLIFIER

4Ω @ 14.4 Volts	4 x 300 Watts
2Ω @ 14.4 Volts	4 x 400 Watts
4Ω @ 14.4 Volts Bridged	2 x 400 Watts

MODEL

WDXMOTO 400/4

400 WATT 4 CHANNEL CLASS D AMPLIFIER

4Ω @ 14.4 Volts	4 x 150 Watts
2Ω @ 14.4 Volts	4 x 200 Watts
4Ω @ 14.4 Volts Bridged	2 x 200 Watts

DIMENSIONS

MODEL	L	W	H
WDXMOTO800/4	7.83in (198.9mm)	5.32in (135.1mm)	2.46in (62.5mm)
WDXMOTO400/4	6.65in (168.9mm)	5.32in (135.1mm)	2.46in (62.5mm)

Master Carton: 5

Images displayed are for illustration purposes only and may differ from actual photos



NEOv2



NEO AMPLIFIER FEATURES

- Class D full range circuitry
- 2 Ω stereo capability (NEO4v2)
- 1 Ω mono capability (NEO1.5Kv2)
- Audiophile grade RCA connectors
- Amphibious grade conformal coating on PCB
- Double sided circuit tablet
- Bridgable outputs @ 4Ω load (NEO4v2)



MODEL

NEO1.5Kv2

1500 WATT MONO CLASS D AMPLIFIER

1Ω @ 14.4 Volts	1 x 750 Watts
2Ω @ 14.4 Volts	1 x 350 Watts

Capability: 1Ω
Master Carton: 8



Bass Remote
Included NEO1.5K

MODEL

NEO4v2

4 CHANNEL CLASS D AMPLIFIER

4Ω @ 14.4 Volts	4 x 125 Watts
2Ω @ 14.4 Volts	4 x 250 Watts
4Ω @ 14.4 Volts Bridged	2 x 500 Watts

Capability: 2Ω
Master Carton: 8

DIMENSIONS

MODEL	L	W	H
NEO4v2	7.80in / 198mm	5.3in / 135mm	1.85in / 47mm
NEO1.5Kv2	8.75in / 225mm	5.3in / 135mm	1.85in / 47mm

NEO5_{v2}



NEO AMPLIFIER FEATURES

- 5 Channel Full Range D Technology
- 2 Ω stereo load capability on Stereo Channels
- 2 Ω mono load Capability on 5th Mono Channel
- Amphibious grade conformal coating on PCB
- Audiophile Grade RCA connectors
- Variable 12 db High/ Low-pass Crossover Filters
- Bridgable outputs @ 4 Ω load
- Double Sided Circuit Tablet
- Remote Bass Control Included
- Compatible with any 4/2 Ω Loudspeaker



1.85" / 47mm

MODEL

NEO5_{v2}

5 CHANNEL CLASS D AMPLIFIER

4 Ω @ 14.4 Volts	4 x 125 Watts
2 Ω @ 14.4 Volts	4 x 250 Watts
4 Ω Bridged	2 x 250 Watts
2 Ω 5 th Channel	1 x 500 Watts



Bass Remote
Included NEO5_{v2}

9.80" / 250mm



5.20" / 132mm

Capability: 2 Ω
Master Carton: 5

Images displayed are for illustration purposes only and may differ from actual photos





- NEO *M* AMPLIFIER FEATURES**
- Class D full range circuitry
 - 2 Ω stereo capability (NEOM2/ NEOM4)
 - 2 Ω mono capability (NEOM1)
 - Audiophile grade nickel plated RCA connectors
 - Marine grade conformal coated double sided PCB
 - Variable 12dB High-Pass or Low Pass crossover filter



DIMENSIONS

MODEL	L	W	H
NEOM1	6.10in / 155mm	4.13in / 105mm	1.92in / 49mm
NEOM2	6.10in / 155mm	4.13in / 105mm	1.92in / 49mm
NEOM4	6.10in / 155mm	4.13in / 105mm	1.92in / 49mm

MODEL
NEO *M*1
MONOBLOCK CLASS D AMPLIFIER

4Ω @ 14.4 Volts	1 x 250 Watts
2Ω @ 14.4 Volts	1 x 500 Watts

Capability: 2Ω
Master Carton: 10

MODEL
NEO *M*2
2 CHANNEL CLASS D AMPLIFIER

4Ω @ 14.4 Volts	2 x 125 Watts
2Ω @ 14.4 Volts	2 x 250 Watts
4Ω Bridged @ 14.4 Volts	1 x 500 Watts

Capability: 2Ω
Master Carton: 10

MODEL
NEO *M*4
4 CHANNEL CLASS D AMPLIFIER

4Ω @ 14.4 Volts	4 x 50 Watts
2Ω @ 14.4 Volts	4 x 100 Watts

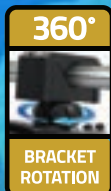
Capability: 2Ω
Master Carton: 10

**NEVER LEAVE
THE PARTY**



TOWER SPEAKERS



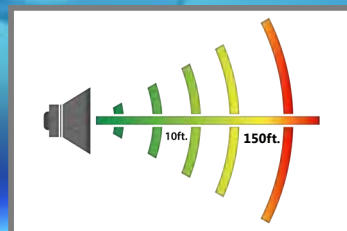


SOLD IN PAIRS

MODEL APT8RGB-XLW



MODEL APT8RGB-XLB



PROJECTED SOUND DISTANCE

FEATURES

- Designed for your powersports outdoor entertainment
- Professional High Efficiency Pro Audio Style 2-Way Loud Speaker
- High strength polyethylene enclosure with UV inhibitors and stainless steel assembly hardware
- CCAW 2" midrange voice coil for extreme power handling
- 1.35" Titanium Compression Driver tweeter
- Quick Release water Resistant speaker connector
- 360 rotational easy adjust swivel mounting brackets compatible with 1.5" – 3" Round wake board towers and roll cages
- Integrated RGB LED accent lighting (RGBC-8 or RGBC-4RF module required - sold separately)

MODEL APT8RGB-XLB

8"/20.3cm BLACK 2-WAY MARINE/POWER SPORTS TOWER SPEAKER

Max Power	700 Watts
RMS Power	350 Watts

Capability: 4Ω
Frequency Response: 50Hz - 20KHz
Master Carton: 1pr

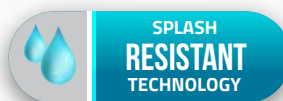
MODEL APT8RGB-XLW

8"/20.3cm WHITE 2-WAY MARINE/POWER SPORTS TOWER SPEAKER

Max Power	700 Watts
RMS Power	350 Watts

Capability: 4Ω
Frequency Response: 50Hz - 20KHz
Master Carton: 1pr

Must purchase the RGBC-8, RGBC-4RF or RGBC-2RF control module to use RGB functions. (Sold separately)





**SOLD IN
PAIRS**

MODEL
APT8RGB-XB

MODEL
APT8RGB-XW



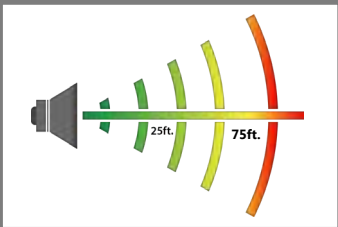
IP52

**WEATHER RESISTANT
PLUG & HARNESS**

360°

**BRACKET
ROTATION**

PROJECTED SOUND DISTANCE



FEATURES

- Designed for your powersports outdoor entertainment
- Professional High Efficiency Pro Audio Style 2-Way Loud Speaker
- High strength polyethylene enclosure with UV inhibitors and stainless steel assembly hardware
- CCAW 2" midrange voice coil for extreme power handling
- 1.35" Titanium Compression Driver tweeter
- Quick Release water Resistant speaker connector
- 360 rotational easy adjust swivel mounting brackets compatible with 1.5" – 3" Round wake board towers and roll cages
- Integrated RGB LED accent lighting (RGBC-8 or RGBC-4RF module required - sold separately)

MODEL
APT8RGB-XB

8"/20.3cm BLACK COAXIAL TUBBIE

Max Power	500 Watts
RMS Power	250 Watts

Capability: 4Ω
Frequency Response: 40Hz - 20KHz
Master Carton: 1pr

MODEL
APT8RGB-XW

8"/20.3cm WHITE COAXIAL TUBBIE

Max Power	500 Watts
RMS Power	250 Watts

Capability: 4Ω
Frequency Response: 40Hz - 20KHz
Master Carton: 1pr

Must purchase the RGBC-8, RGBC-4RF or RGBC-2RF control module to use RGB functions. (Sold separately)

SPLASH RESISTANT TECHNOLOGY

UV PROTECTED CHASSIS

360° SWIVEL BRACKET ROTATION

RGB LED ACCENT LIGHTING



POWERSPORTS

RGB SERIES



TOWER SPEAKERS

SOLD IN PAIRS

MODEL APT65RGB

6.5"/16.5cm TOWER SPEAKER

FEATURES

- 6.5"/16.5cm UV protected 2-way loudspeaker with grill mounted aluminum dome tweeter
- Ultra compact high strength polyethylene enclosure with UV inhibitors and stainless steel assembly hardware
- 360° rotational easy adjust swivel mounting brackets compatible with 1.5", 1.75", 1.85" and 2.00' roll cages
- Integrated RGB LED accent lighting (RGBC-8 or RGBC-4RF module required - sold separately)
- Marine grade compression speaker terminals



360° BRACKET ROTATION



250 WATTS



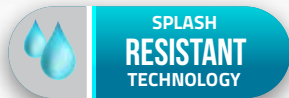
MODEL APT65RGB

6.5"/16.51cm 2-WAY TOWER SPEAKER

Max Power	250 Watts
RMS Power	125 Watts

Capability: 4Ω
 Frequency Response: 45Hz - 20KHz
 Master Carton: 1pr

Must purchase the RGBC-8, RGBC-4RF or RGBC-2RF control module to use RGB functions. (Sold separately)





APT65MOTO-CD FEATURES

- 6.5" Wakeboard Mini Tower Speakers
- 6.5" UV protected Glass Fiber Cone
- Horn Loaded Compression Driver
- Water Resistant Wire Harness
- 360 Rotational easy adjust swivel mounting brackets compatible with 1.5" , 1.75" , 1.85" and 2" roll cages.
- Integrated RGB LED accent lighting (RGBC-8 or RGBC-4RF module required - sold separately)
- Developed for Marine and Power Sports outdoor applications.
- IP52
- Optional variable mount bracket available fits 1.5" - 3" (APTBR3 sold separately)
- Protective Grill included.

APT8MOTO-CD / APT10MOTO-CD FEATURES

- High Efficiency Coaxial Loudspeaker
- Ultra-Light Weight Glass Fiber Weather Treated Midrange Cone
- Integrated RGB LED accent lighting (RGB-8, RGBC-4RF or RGB-2RF Module Required – Sold Separately)
- Horn Loaded Compression Driver
- Integrated RGB LED accent lighting (RGB-8, RGBC-4RF or RGB-2RF Module Required – Sold Separately)
- Horn Loaded Compression Driver
- Sold in Pairs
- IP52 Compact High Strength Enclosure with UV Inhibitors
- IP52 Weather Resistant Plug and Harness
- Protective Grill Included
- 360° Rotational Easy Adjustable Swivel Mounting Brackets
- Bracket compatible with 1.5" - 3" Roll cage.



MODEL
APT65MOTO-CD
6.5"/16.5cm TOWER SPEAKER

250
WATTS

MODEL
APT8MOTO-CD
8" / 20.3cm TOWER SPEAKER



550
WATTS

MODEL
APT10MOTO-CD
10"/25.4cm TOWER SPEAKER



750
WATTS

360°
SWIVEL BRACKET ROTATION

IP52
WEATHER RESISTANT

SPLASH
RESISTANT TECHNOLOGY



MODEL
APT65MOTO-CD

6.5"/16.5cm
TOWER SPEAKER (PAIR)
Bracket: 1.5" - 3"

Max Power	250 Watts
RMS Power	125 Watts

Capability: 4Ω
Frequency Response: 90Hz - 18KHz
Master Carton: 2prs



MODEL
APT8MOTO-CD

8"/20.3cm
TOWER SPEAKER (PAIR)
Bracket: 1.5" - 3"

Max Power	550 Watts
RMS Power	300 Watts

Capability: 4Ω
Frequency Response: 85Hz - 18KHz
Master Carton: 1pr



MODEL
APT10MOTO-CD

10"/25.4cm
TOWER SPEAKER (PAIR)
Bracket: 1.5" - 3"

Max Power	750 Watts
RMS Power	350 Watts

Capability: 4Ω
Frequency Response: 68Hz - 21KHz
Master Carton: 1pr



Must purchase the RGBC-8, RGBC-4RF or RGBC-2RF control module to use RGB functions. (Sold separately)





**SOLD IN
PAIRS**

MODEL
APT10MOTO-G2
10" / 25.4cm TOWER SPEAKERS



**750
WATTS**

MODEL
APT65MOTO-G2
6.5" / 16.5cm MINI TOWER SPEAKERS

**SOLD IN
PAIRS**

**400
WATTS**



FEATURES

- High Efficiency Coaxial Loudspeaker
- Ultra-Light Weight Treated Cone
- High Reaction Ribbed Treated Surround
- High-Temperature Voice Coil
- Die-Cast Aluminum Anti-Resonance Basket

ENCLOSURE

- IP52 Compact High Strength Enclosure with UV Inhibitors
- IP52 Weather Resistant Plug and Harness
- Protective Grill Included

ENCLOSURE

- 360 Rotational Easy Adjustable Swivel Mounting Brackets
- Optional Variable Mount Bracket Available fits 1.5"-3" (APTBR3) - APT65MOTO-G2



MODEL
APT10MOTO-G2

10"/25.4cm
TOWER SPEAKER (PAIR)
Bracket: 1.5" - 3"

Max Power	750 Watts
RMS Power	350 Watts

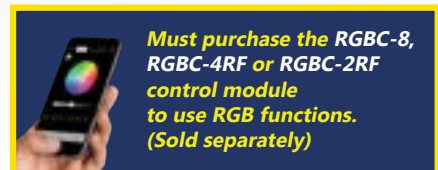
Capability: 4Ω
Frequency Response: 68Hz - 21KHz
Master Carton: 1pr

MODEL
APT65MOTO-G2

6.5"/16.5cm
MINI TOWER SPEAKER (PAIR)

Max Power	400 Watts
RMS Power	175 Watts

Capability: 4Ω
Frequency Response: 80Hz - 21KHz
Master Carton: 4prs



**NEW FOR
2024**

WDX POWERSPORT TOWER SPEAKERS

MODEL
APT8MOTO-G3 W/ RGB
8" / 20.32cm TOWER SPEAKERS

**SOLD IN
PAIRS**



**550
WATTS**

Max Power	550 Watts
RMS Power	275 Watts

Capability: 4Ω
Frequency Response: 75Hz - 21KHz
Master Carton: 1pr

FEATURES

- High Output 1.25" aluminum Dome Component Grade Tweeter with Rear Resonance Chamber
- Ultra Light Weight Glass Fiber Weather Treated Midrange Cone
- High Reaction Ribbed Treated Cloth Surround
- Intergraded passive crossover with high power protect circuit
- RGB Accent Lighting (controller sold separate)

ENCLOSURE

- IP52 High Strength Enclosure with UV inhibitors
- Weather resistant quick disconnect speaker plug

ENCLOSURE

- 360° Rotational easy adjustable swivel Mounting Brackets
- Bracket compatible with 1.5"-3" roll cages

360°
SWIVEL BRACKET ROTATION

IP52
WEATHER RESISTANT

SPLASH
RESISTANT TECHNOLOGY

MODEL
APTBR3

ADDITIONAL BRACKET OPTION AVAILABLE

**1.5" - 3" Diameter
ADJUSTABLE POWERSPORTS
LOUDSPEAKER BRACKET (PAIR)**

Compatible with:
APT65RGB APT65MOTO-G2 APT65MOTO-CD
APT8MOTO-CD APT10MOTO-CD



Images displayed are for illustration purposes only and may differ from actual photos



MODEL
APS65RGB

6.5"/16.5cm LOUD SPEAKER



MODEL
APS8RGB

8"/20.3cm LOUDSPEAKER



MODEL
APS69RGB

6X9"/15.2X22.9cm LOUD SPEAKER

*Integrated RGB
LED accent lighting*

FEATURES

- UV protected IMPP cone design
- High strength integrated UV protected polyethylene grill
- Integrated RGB LED accent lighting (RGBC-8 or RGBC-4RF module required - sold separately)
- Developed for marine and power sports outdoor applications

MODEL
APS65RGB

6.5"/16.5cm 2-WAY
MARINE/POWER SPORTS SPEAKER

Max Power	250 Watts
RMS Power	90 Watts

Capability: 4Ω
Frequency Response: 48Hz - 20KHz
Master Carton: 4prs

MODEL
APS8RGB

8"/20.3cm 2-WAY
MARINE/POWER SPORTS SPEAKER

Max Power	350 Watts
RMS Power	125 Watts

Capability: 4Ω
Frequency Response: 38Hz - 20KHz
Master Carton: 4prs

MODEL
APS69RGB

6x9"/15.2cm x 22.9cm 2-WAY
MARINE/POWER SPORTS SPEAKER

Max Power	400 Watts
RMS Power	155 Watts

Capability: 4Ω
Frequency Response: 38Hz - 20KHz
Master Carton: 4prs



Must purchase the RGBC-8, RGBC-4RF or RGBC-2RF control module to use RGB functions. (Sold separately)



MODEL
APS65B/APS8B



MODEL
APS65W/APS8W



AVAILABLE IN
BLACK & WHITE



MODEL
APS8B / APS8W

8"/20.3cm 2-WAY
MARINE/POWER SPORTS SPEAKER

Max Power	350 Watts
RMS Power	125 Watts

Capability: 4Ω
Frequency Response: 38Hz - 20KHz
Master Carton: 3prs

MODEL
APS65B / APS65W

6.5"/16.5cm 2-WAY
MARINE/POWER SPORTS SPEAKER

Max Power	250 Watts
RMS Power	90 Watts

Capability: 4Ω
Frequency Response: 38Hz - 20KHz
Master Carton: 4prs

- Marine and Power Sports grade element proofing technologies.
- UV protected IMPP Cone design
- High strength integrated UV protected polyethylene grill
- Developed for Marine and Power Sports outdoor applications.



Images displayed are for illustration purposes only and may differ from actual photos





MODEL
WDX6MOTO-CD

6.5"/16.5cm LOUDSPEAKER
W/ REAR MOUNTED COMPRESSION DRIVER



**SOLD IN
PAIRS**



WDX LOUDSPEAKER FEATURES

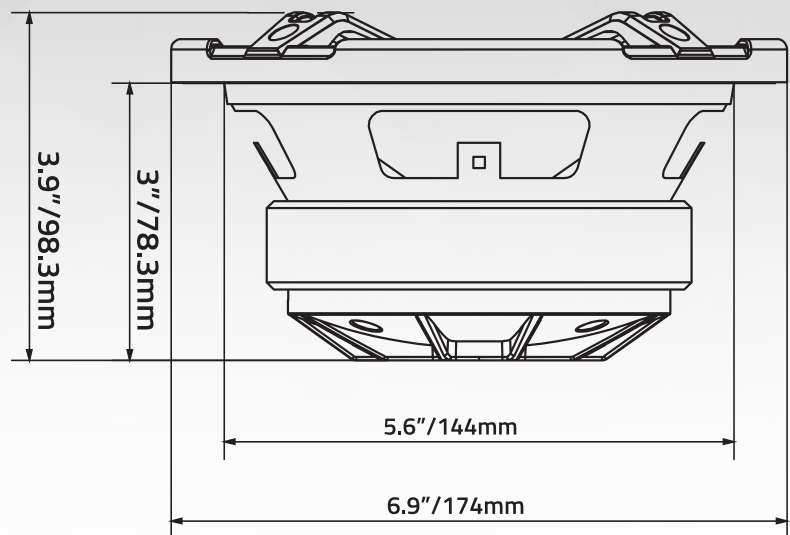
- 1" Aluminum Compression Style Tweeter
- Element Rated Cone Design
- Bi-Ribbed Treated Cloth Surround
- 1.5" High Output Midrange Voice Coil
- Protective grills included

MODEL
WDX6MOTO-CD

6.5"/ 16.51 cm Loudspeaker
W/ REAR MOUNTED COMPRESSION DRIVER

Max Power	500 Watts
RMS Power	250 Watts

Impedance: 4Ω
Sensitivity: 102.7 dB
Frequency Response: 90Hz - 18KHz
Master Carton: 4prs



MODEL
WDX69MOTO-CD

6 X 9" 2-WAY LOUDSPEAKER W/ BACKLOADED COMPRESSION DRIVER



WDX LOUDSPEAKER FEATURES

- 6 x 9" High-Efficiency 2-way Loudspeaker
- 1" Aluminum Compression Style Tweeter
- Element Rated Cone Design
- Bi-Ribbed Treated Cloth Surround
- 1.5" High Output Til Midrange Voice Coil
- Protective Grill Included

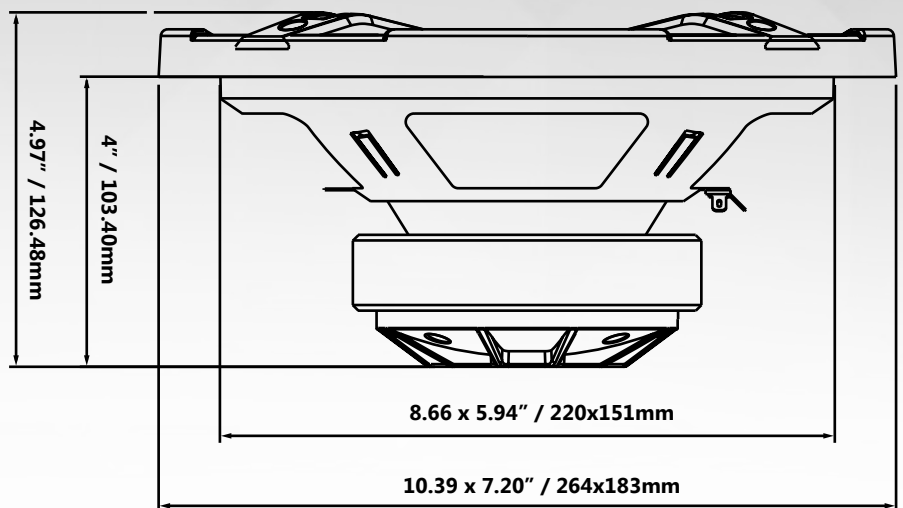


MODEL
WDX69MOTO-CD

6 x 9" 2-way Loudspeaker
W/ BACKLOADED COMPRESSION DRIVER

Max Power	650 Watts
RMS Power	325 Watts

Impedance: 4Ω
Sensitivity: 101.3 dB
Frequency Response: 75Hz - 18KHz
Master Carton: 2prs



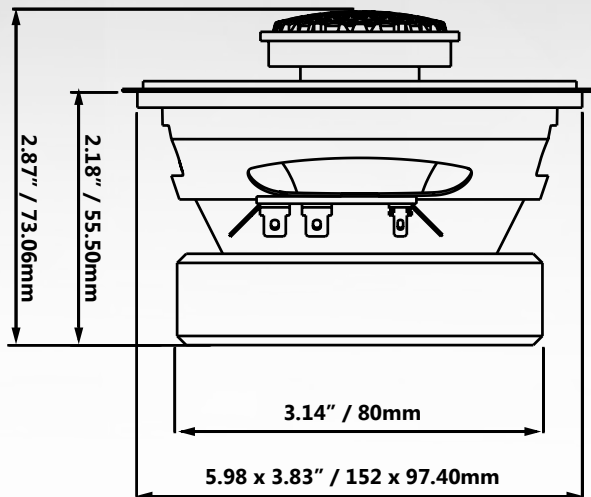


WDX™

- Weather Resistant Loudspeaker
- Ultra-Light Weight Treated Cone
- High Reaction Ribbed Treated Surround
- High-Temperature Voice coil
- Die-Cast Aluminum Anti-Resonance Basket
- 1" (28mm) aluminum Dome Component Grade Tweeter with Rear Resonance Chamber
- Radial Voice Coil Venting
- Low Profile Tweeter



MODEL
WDX46MOTO-G2
 4X6" 2-WAY LOUDSPEAKERS



MODEL
WDX46MOTO-G2
 4x6" 2-WAY LOUDSPEAKERS

Dynamic Power	150 Watts
RMS Power	55 Watts

Master Carton: 8prs

WDX

- Weather Resistant Coaxial
- High Efficiency Loudspeaker
- Ultra Light Weight Treated Cone
- High Reaction Ribbed Treated Surround
- High Temperature Voice Coil
- Die-cast Aluminum Anti-Resonance Basket
- 1.25" (3cm) Aluminum Dome Component Grade Tweeter with Rear Resonance Chamber
- Radial Voice Coil Venting
- Low Profile Tweeter
- Protective Grills Included



MODEL
WDX6MOTO-G2

6.5"/16.5cm 2-WAY LOUDSPEAKERS

Dynamic Power	400 Watts
RMS Power	175 Watts

Master Carton: 4prs

DIMENSIONS

- Mounting Depth : 2.40" / 61mm
- Cutout Diameter : 5.71" / 145mm

MODEL
WDX8MOTO-G2

8"/20.32cm 2-WAY LOUDSPEAKERS

Dynamic Power	550 Watts
RMS Power	275 Watts

Master Carton: 4prs

DIMENSIONS

- Mounting Depth : 3.15" / 80mm
- Cutout Diameter : 7.13" / 181mm



POWERSPORTS

MODEL
WDX65CP-JP
6.5" COMPONENT LOUDSPEAKERS



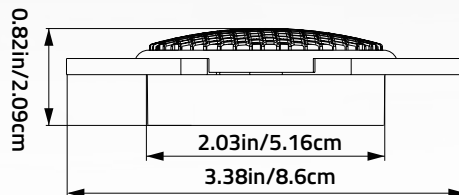
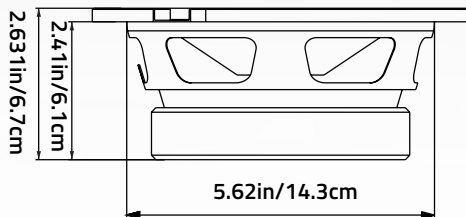
WDX COMPONENT FEATURES

- 6.5" Component Speakers
- High-Efficiency 2-way Loudspeaker
- Ultra-Light Weight Paper Cone
- High Reaction Cloth Ribbed Surround
- 1.5" High-Temperature Voice Coil
- Stamped Steel Basket
- Plug & Play Harness Included



MODEL
WDX65CP-JP
6.5" COMPONENT LOUDSPEAKERS

Dynamic Power	500 Watts
RMS Power	250 Watts



WDX JEEP LOUDSPEAKERS



MODEL
WDX 1TW-JP
1.25" COMPONENT TWEETERS

WDX FEATURES

- 1.25" Aluminum Dome
- Neodymium Magnet
- High Sensitivity
- Rear resonance chamber
- Passive crossover included
- Plug and Play Harness



MODEL
WDX65-JP
6.5" 2-WAY LOUDSPEAKERS

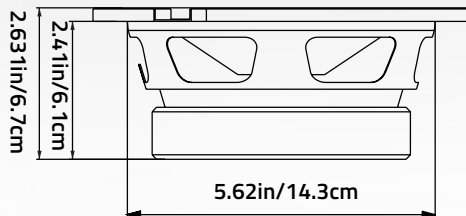
WDX FEATURES

- 6.5" Component Speakers
- High-Efficiency 2-way Loudspeaker
- Ultra-Light Weight Paper Cone
- High Reaction Cloth Ribbed Surround
- 1.5" High-Temperature Voice Coil
- Stamped Steel Basket
- Plug & Play Harness Included



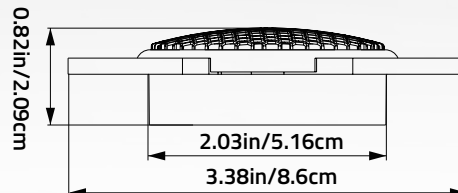
MODEL
WDX65-JP
6.5" 2-WAY LOUDSPEAKERS

Dynamic Power	350 Watts
RMS Power	150 Watts



MODEL
WDX 1TW-JP
1.25" COMPONENT TWEETERS

Dynamic Power	500 Watts
RMS Power	225 Watts



Plug & Play Harness Included





MODEL
WDX4MR-JP
4" COMPONENT MIDRANGES



WDX FEATURES

- IP51 Treated Cone with cloth surround
- 1" KSV Voice Coil
- Neodymium Magnet
- Stamped Steel Basket
- OEM Fit Design
- Plug & Play Harness

MODEL
WDX4-JP
4" 2-WAY LOUDSPEAKERS



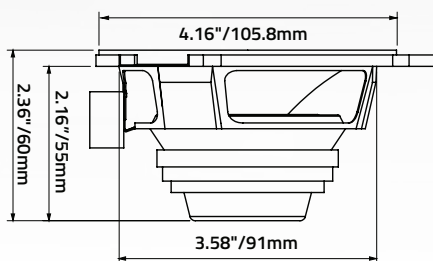
WDX FEATURES

- 20mm Aluminum Dome
- IP51 Treated Cone with cloth surround
- 1" KSV Voice Coil
- Neodymium Magnet
- Stamped Steel Basket
- OEM Fit Design
- Plug & Play Harness



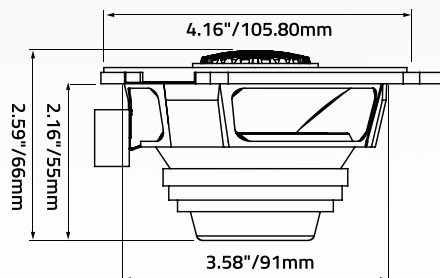
MODEL
WDX4MR-JP
4" COMPONENT MIDRANGES

Dynamic Power	300 Watts
RMS Power	175 Watts



MODEL
WDX4-JP
4" 2-WAY LOUDSPEAKERS

Dynamic Power	325 Watts
RMS Power	200 Watts



WDX JEEP LOUDSPEAKERS



MODEL
WDX35-JP
3.5" 2-WAY LOUDSPEAKERS

WDX FEATURES

- 3.5" 2-Way Loudspeaker
- High Efficiency 2-Way Loudspeaker
- Ultra-Light Weight Paper Cone
- High Reaction Cloth Surround
- .75" High-Temperature Voice Coil
- Stamped Steel Basket
- Plug & Play Harness Included

MODEL
WDX35MR-JP
3.5" MIDRANGE LOUDSPEAKERS

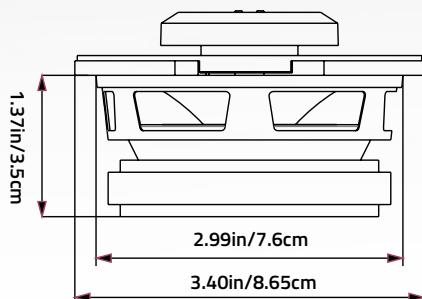
WDX FEATURES

- 3.5" 2-Way Loudspeaker
- High Efficiency 2-Way Loudspeaker
- Ultra-Light Weight Paper Cone
- High Reaction Cloth Surround
- .75" High-Temperature Voice Coil
- Stamped Steel Basket
- Plug & Play Harness Included



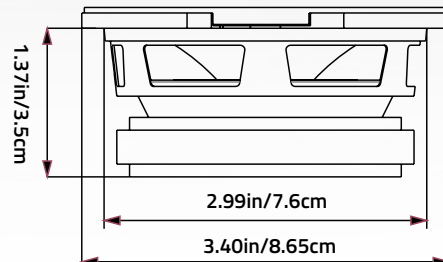
MODEL
WDX35-JP
3.5" 2-WAY LOUDSPEAKERS

Dynamic Power	120 Watts
RMS Power	35 Watts



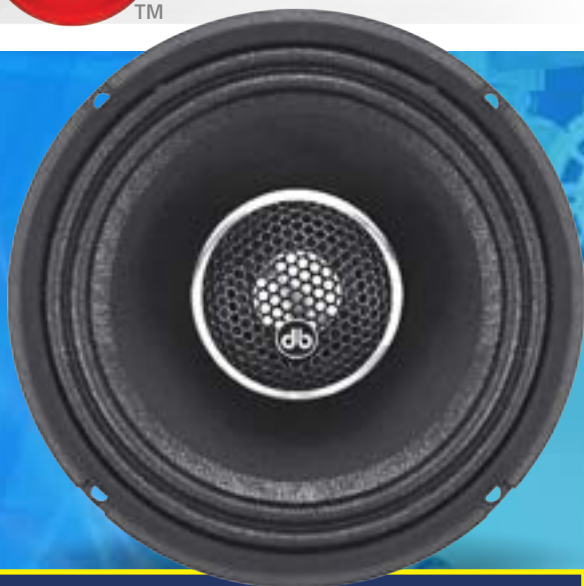
MODEL
WDX35MR-JP
3.5" MIDRANGE LOUDSPEAKERS

Dynamic Power	110 Watts
RMS Power	30 Watts



Images displayed are for illustration purposes only and may differ from actual photos





WDX MOTO



WDX LOUDSPEAKER FEATURES

- Weather resistant coxials
- High efficiency loudspeaker
- Ultra light weight treated cone
- High reaction ribbed treated surround
- 1" (3cm) high temperature voice coil
- Die cast aluminum antiresonance basket
- 1.25" (3cm) aluminum dome tweeter with resonance chamber
- Protective grills included



MODEL WDX6MOTO

6.5"/16.5cm 2-WAY MARINE/POWER SPORTS SPEAKER

Max Power	500 Watts
RMS Power	250 Watts

Capability: 4Ω
Frequency Response: 80Hz - 21KHz
Master Carton: 4prs

MODEL WDX8MOTO

8"/20.3cm 2-WAY MARINE/POWER SPORTS SPEAKER

Max Power	500 Watts
RMS Power	250 Watts

Capability: 4Ω
Frequency Response: 75Hz - 21KHz
Master Carton: 2prs

MODEL WDX69MOTO

6x9"/15.2 x 22.9cm 2-WAY MARINE/POWER SPORTS SPEAKER

Max Power	500 Watts
RMS Power	250 Watts

Capability: 4Ω
Frequency Response: 70Hz - 21KHz
Master Carton: 2prs

WDX1TW-MOTO



- Silk Surround with Aluminum Dome
- Neo Magnet with Rear Resonance Chamber
- Surface and Flush mount Hardware included
- 6db Passive Crossover Included
- Designed for High Output
- Sensitivity 101.4dB



1" (2.5cm) HIGH EFFICIENCY COMPONENT TWEETERS

225w	Max Power
150w	RMS Power

Frequency Response = 4kHz-22.5kHz
Master Carton: 30prs

SHALLOW
APW10D4 SUBWOOFER



MODEL
APW10D4 SHALLOW SUBWOOFER FEATURES

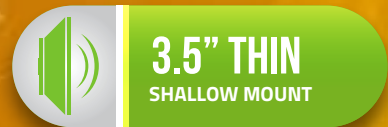
- 3"/76cm 4 layer dual 4 ohm VC w/ aluminum former
- Marine grade UV coated IMMP cone
- UV protective coated butyl rubber surround
- 40 oz. ferrite magnet
- Ultra thin stamped steel frame design
- Blue zinc finished top and bottom plates
- Mixed C fiber spider
- Stainless steel speaker terminals



**1000
WATTS**



3.5" / 9cm



MODEL
APW10D4
10"/25.4cm SHALLOW MOUNT MARINE SUBWOOFER

Max Power	1000 Watts
RMS Power	300 Watts

Master Carton: 4

DIMENSIONS

- **Woofer Diameter: 10.37" / 25.4cm**
- **Woofer Mounting Depth: 3.5" / 9cm**
- **Overall Height: 4.5" / 11.43cm**
- **Cut Out Diameter: 9.05" / 23cm**
- **Recommended Sealed Enclosure: 0.65 cu. ft.**





SUPERFLEX
SOFT TOUCH
POWER & GROUND CABLE

**100% OFC
TINNED COPPER**

Model: MAK4-17 Master Carton: 8

17' Maxkore ME OFC Tinned Copper Marine Grade RCA Cable / 17' 4 Ga. Red OFC Tinned Copper Marine Grade Soft Touch Power Wire / 3' 4 Ga. Black OFC Tinned Copper Marine Grade Soft Touch Ground Wire / 17' 18 Ga. Blue OFC Tinned Copper Marine Grade Remote Turn-on Wire / 20' 16 Ga. Blue OFC Tinned Copper Marine Grade Soft Touch Speaker Wire / Mini ANL Super-seal Marine Fuse Holder / 100 Amp Mini ANL Fuse / Power and Ground Wires are pre-terminated with ring terminals with boot / 6' of Power Wire comes pre-wrapped in protective sheath / Accessories: Wire ties and terminals

Model: MAK8-6 Master Carton: 12

6' 8Ga. Red 100% OFC Tinned Copper Marine Grade Soft Touch Power wire / 6' 8Ga. Black 100% OFC Tinned Copper Marine Grade Soft Touch Ground wire / 6' MAXKORE ME 100% OFC Tinned Copper Marine Grade RCA Cable / 6' 18Ga. Blue 100% OFC Tinned Copper Marine Grade Remote Turn-on Wire / 10' 16 Ga. Blue 100% OFC Tinned Copper Marine Grade Soft Touch Speaker Wire / Mini ANL Super-Seal Marine Fuse holder / 50A Mini ANL Fuse / Power and Ground Wires are pre-terminated with Ring Terminals with boot / 6' of Power Wire comes pre-wrapped in protective sheath / Accessories: Wire ties and terminals

Model: MAK8-17 Master Carton: 12

17' 8Ga. Red 100% OFC Tinned Copper Marine Grade Soft Touch Power wire / 17' 8Ga. Black 100% OFC Tinned Copper Marine Grade Soft Touch Ground wire / 17' MAXKORE ME 100% OFC Tinned Copper Marine Grade RCA Cable / 17' 18Ga. Blue 100% OFC Tinned Copper Marine Grade Remote Turn-on Wire / 20' 16 Ga. Blue 100% OFC Tinned Copper Marine Grade Soft Touch Speaker Wire / Mini ANL Super-Seal Marine Fuse holder / 50A Mini ANL Fuse / Power and Ground Wires are pre-terminated with Ring Terminals with boot / 6' of Power Wire comes pre-wrapped in protective sheath / Accessories: Wire ties and terminals



MODEL

DBSM4D-K-RGB

4"/10cm RGB DRIVING WORK LIGHTS

FEATURES

- 4 X 3 watt CREE high power LEDs
- 6000K color temperature
- 1080 lumens
- IP67 element rating
- Operating voltage: 10- 30 VDC
- Working temperature: -40~65 degree celsius
- 65,000 + hours lifespan
- Die cast aluminum extrusion
- Shock proof electronics
- Shatter proof protective polycarbonate lens
- Heavy duty swivel track brackets
- High output reflective LED lens
- Harness and RGB harness sold separately



CREE High Power LEDs 12 Watts

**Sold In Pairs
Master Carton: 10**



DIMENSIONS



3.14" / 80mm



3.22" / 82mm

3.42" / 87mm

Must purchase the RGBC-8, RGBC-4RF or RGBC-2RF control module to use RGB functions. (Sold separately)

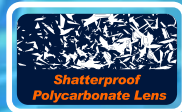




Splash Resistant Technology



RGB LEDs



4 LED LIGHT KIT

MODEL DBSMRGB-4

4 X RGB SURFACE MOUNT LED ACCENT LIGHTS

FEATURES

- Accent surface light pattern
- (4) 3 - 0.5 watt high power LEDs
- 6 Watts total output
- Operating voltage: 10- 30 VDC
- 30,000 hours AVG lifespan
- Die cast aluminum extrusion
- Shock proof electronics
- Polycarbonate lens
- Easy to hook up
- RGBC-8 control sold separately



Must purchase the RGBC-8, RGBC-4RF or RGBC-2RF control module to use RGB functions. (Sold separately)

MODEL DBSM RGB4

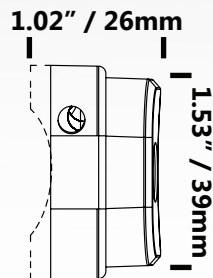
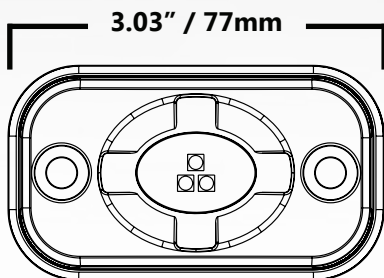
4"/10cm RGB WORK LIGHTS

High Power LEDs 500 Watts

Sold in 4 Pieces

Master Carton: 12

DIMENSIONS



Tubular Base Mount Included



Surface Base Mount Included





L.E.D. Dual row RGB LIGHT BARS



MULTI-COLOR

GERMAN ENGINEERED

RGB SERIES

OSRAM

LEDS

FEATURES

- High Power OSRAM LED light bar
- Combination spot / flood lighting pattern
- IP 67 element rating
- Bottom - mount slide rail brackets
- Black extruded aluminum chassis



Must purchase the RGBC-8, RGBC-4RF or RGBC-2RF control module to use RGB functions. (Sold separately)

MODEL	DESCRIPTION	WATTS	LEDS	SIZE	M. CARTON
DBLB8RGB	Combo Spot/Flood	18w	12	8"/20cm	9
DBLB14RGB	Combo Spot/Flood	36w	24	14"/35.6cm	9
DBLB22RGB	Combo Spot/Flood	60w	40	22"/56cm	6
DBLB32RGB	Combo Spot/Flood	90w	60	32"/81cm	6
DBLB42RGB	Combo Spot/Flood	120w	80	42"/107cm	4
DBLB50RGB	Combo Spot/Flood	144w	96	50"/127cm	4
DBLB52RGB	Combo Spot/Flood	150w	100	52"/130cm	4

2.56" / 65mm



13.09" / 78mm

Side Profile for all models



Bluetooth

Android & iOS Compatible

- Controls multi-color accent lighting
- Controls flash patterns
- Music beat mode
- Bluetooth compatibility

Download the app from iTunes or Google Play

Master Carton: 20
Inner Carton: 5

MODEL **RGBC-8**

8 OUTPUT BLUETOOTH RGB CONTROL MODULE.

MAXIMUM TOTAL OUTPUT OF 30 WATTS



MODEL **RGBC-4RF**

4 OUTPUT RF WIRELESS RGB CONTROL MODULE.

MAXIMUM TOTAL OUTPUT OF 30 WATTS



- Turn On / Standby
- Dynamic modes adjust
- Dynamic speed adjust
 - Static color adjust
 - Brightness adjust
 - Demo mode
- Auto save function



MODEL **RGBC-2RF**

DUAL OUTPUT RGB CONTROLLER W/ 28 KEY RF WIRELESS REMOTE

Master Carton: 250



MODEL **DBRGBH10** Master Carton: 100

10' / 304cm RGB CONTROLLER EXTENSION HARNESS



MODEL **DBRGBH3** Master Carton: 250

3' / 91cm RGB CONTROLLER EXTENSION HARNESS

Can be used to hard wire other brands of RGB LED lights with our RGBC-8, RGBC-4RF or RGBC-2RF RGB control modules.

*Please check for compatibility as all RGB LEDs do not function the same. Sold as single



MODEL **DBRGBH1**
RGB CONTROLLER HARD WIRE HARNESS
Master Carton: 1000



MODEL **DBRGBH1-Y**
RGB Y HARNESS
Master Carton: 200

2 LED
LIGHT KIT

MODEL
DBFM4K-BL

4"/10cm FLUSH MOUNT
BRAKE/REVERSE LIGHTS



Perfect for:

- Custom rear bumpers with flush brake and reverse light function
- Trailer brake lights with reverse light function
- Custom racks on pick ups
- Back up brake lights for UTV'S and ATV's
- Adding extra lighting for reverse lights on RV's
- Dual trigger wiring

**4 High Power LEDs
Sold In Pairs**

Master Carton: 12



DIMENSIONS



IP67

Waterproof LED Light Bar

**HIGH
POWER**

LED'S



FEATURES

- High power LED light bar
- Combination spot / flood lighting pattern
- IP 67 element rating
- High output 3 watt OSRAM LED's
- White extruded aluminum chassis

GERMAN ENGINEERED

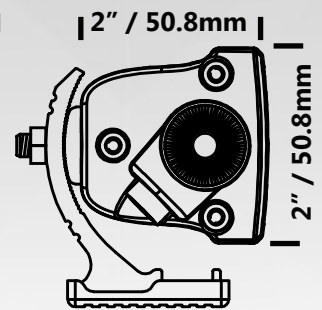
OSRAM LEDs



Splash Resistant
Technology



MODEL	DESCRIPTION	WATTS	LEDS	SIZE	M. CARTON
DBSRX9F-M	Flood	18w	6	9" / 23cm	12
DBSRX20.5F-M	Flood	45w	15	20.5" / 52cm	6
DBSRX51C-M	Combo Spot/Flood	117w	39	51" / 130cm	4



L.E.D. MARINE LIGHTS



MODEL
DBSM4F-M
4"/10cm LED FLOOD LIGHT

12 Watts CREE LEDs
LEDs: 4
Sold as Single
Master Carton: 18

FEATURES

- IP67 element rating
- High output CREE LED's
- 316 grade stainless steel bracket
- Shockproof electronics
- 10v-30v DC operating voltage
- Shatterproof polycarbonate lens
- Harness not included



MODEL
DBLB8F-M
8"/20cm LED FLOOD LIGHT

36 Watts CREE LEDs
LEDs: 12
Sold as Single
Master Carton: 6



LEDs 36 Watts

LEDs: 6
Sold as Single
Master Carton: 20

MODEL **DBSR6F-M**
6"/15cm SINGLE ROW LED LIGHT

FEATURES

- IP67 element rating
- High output LED's
- 316 grade stainless steel bracket
- Shockproof electronics
- 10v-30v DC operating voltage
- Shatterproof polycarbonate lens
- Harness not included

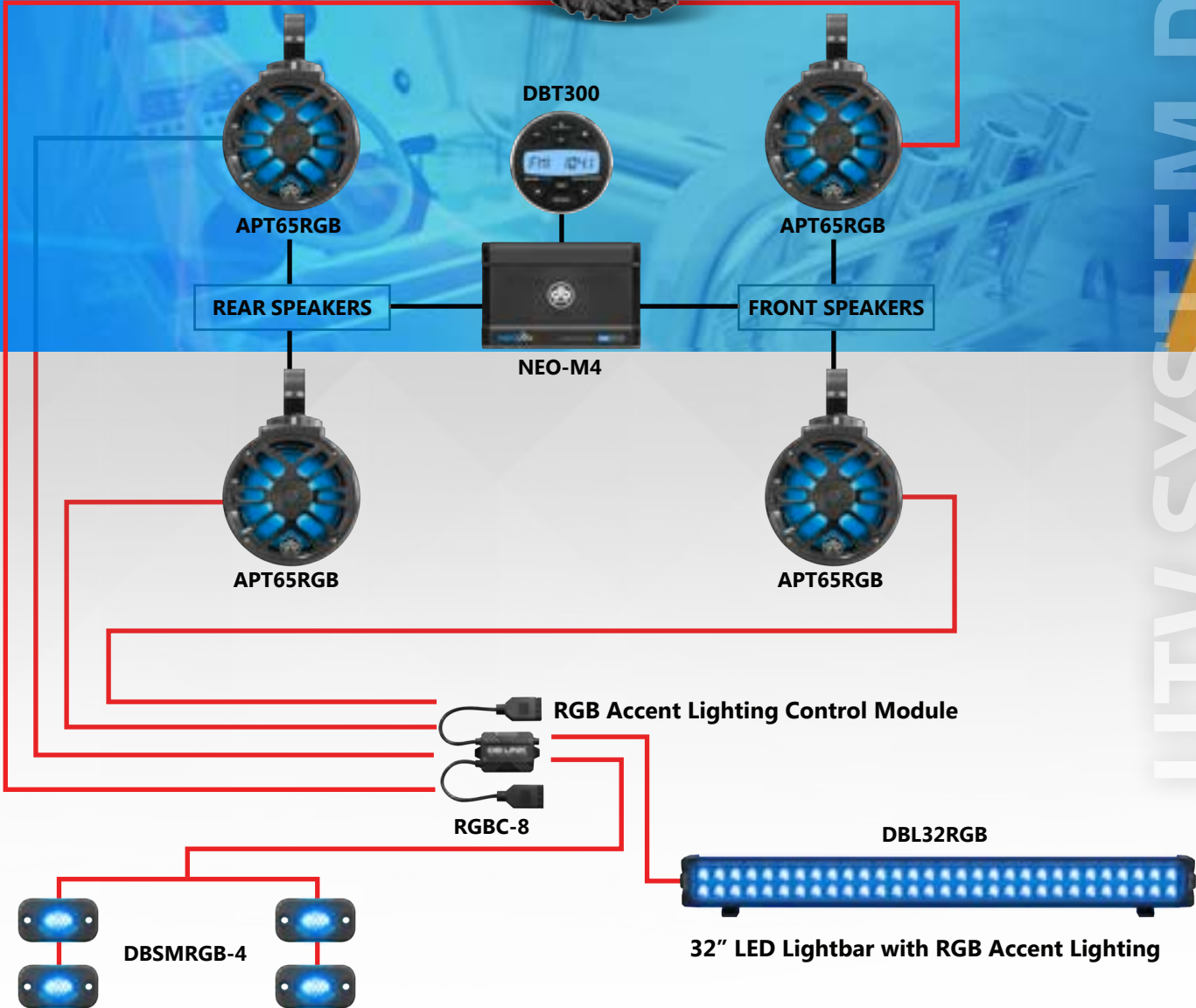




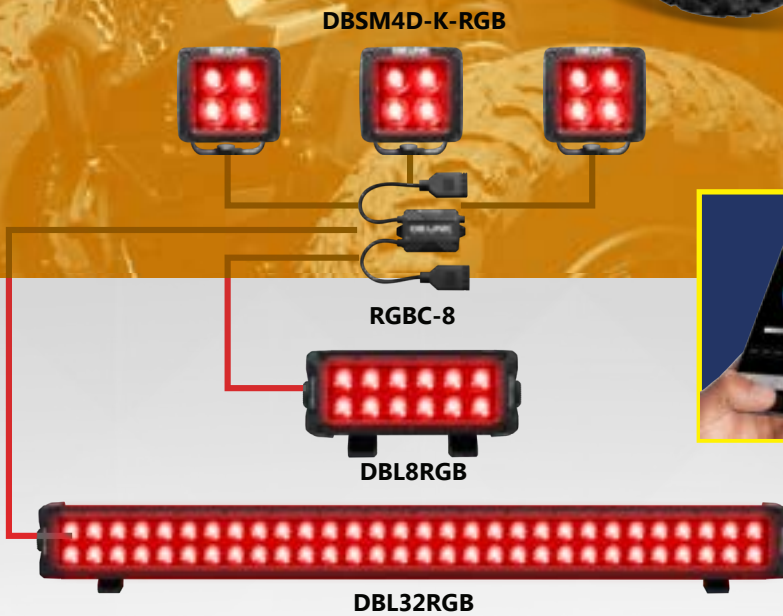
UTV SYSTEM DIAGRAM



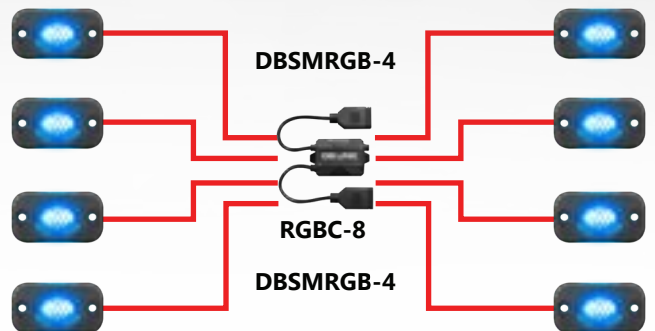
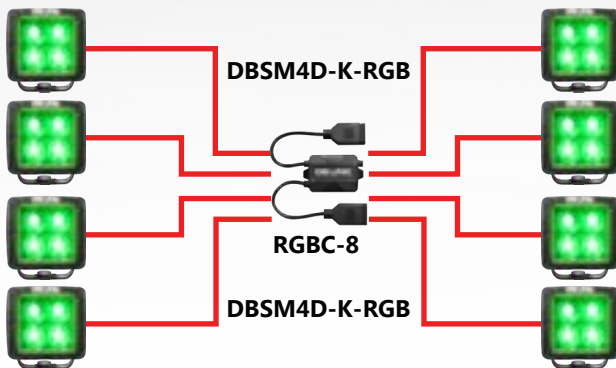
UTV SYSTEM DIAGRAM



CAN-AM RGB LIGHT BARS SYSTEM DIAGRAM



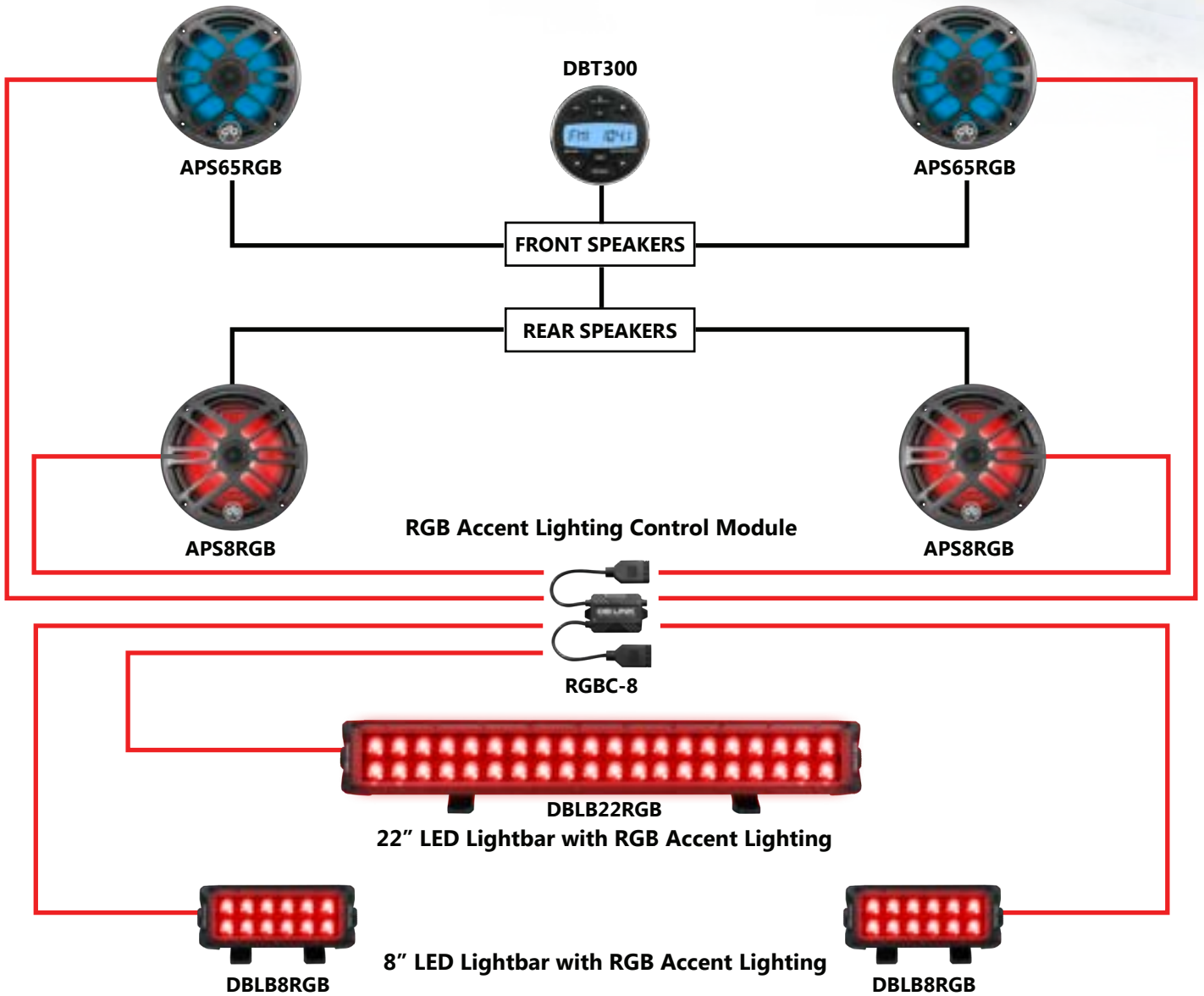
Must purchase the RGBC-8 or RGBC-4RF control module to use RGB functions. (Sold separately)



RGB SERIES



MARINE SYSTEM DIAGRAM





LAND OR
WATER

WE HAVE WHAT YOU NEED!



AMPHIBIOUS
MARINE PRODUCTS

www.dbdrive.net

DB LINK
LIGHTING SOLUTIONS

www.dblinklightingsolutions.com



302 Hanmore Industrial Parkway, Harlingen, TX 78550
Toll Free: (877) 787-0101 Fax: (956) 421-4513
Contact us at: sales@dbdrive.net
Tech Support: support@dbdrive.net
Printed in China **DMCA724A**

