



*DRIVE IT LOUDER!*



**2024-2025**  
PRODUCT GUIDE



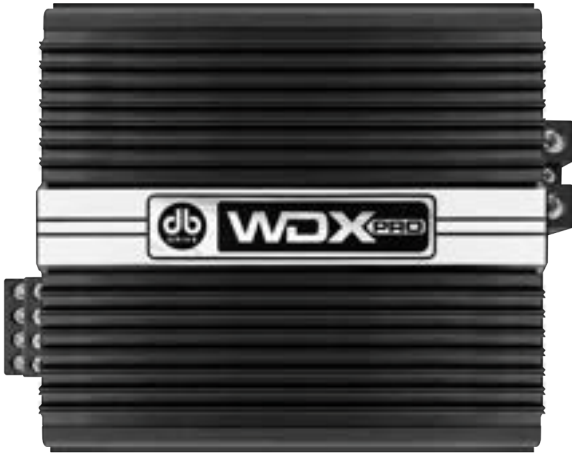
[www.DBDRIVE.net](http://www.DBDRIVE.net)



## 4 CHANNEL AMPLIFIERS

### FEATURES:

- ATC - Audiophile RCA Connectors
- ACT - Adaptive Crossover Technology
- High efficiency Class Full Range Class D Technology
- Direct Connect Speaker Terminals
- Large Gauge Power Wire Inputs
- APC - Audio Protection Circuit
- SESI - Signal Evaluation Status Indicator
- CHM - Collective Heat Management



SPECS	WDX PRO1000.4	WDX PRO2000.4
▪ Internal Circuitry	4 Channel Class D	4 Channel Class D
▪ 4Ω @ 14.4 Volts	4 x 75 Watts	4 x 125 Watts
▪ 2Ω @ 14.4 Volts	4 x 150 Watts	4 x 250 Watts
▪ 1Ω @ 14.4 Volts	4 x 300 Watts	4 x 500 Watts
▪ 4Ω Bridged	2 CH x 1500W	2 x 1000 Watts
▪ Frequency Response	10Hz - 25KHz	10Hz - 25KHz
▪ Signal to Noise Ratio	96dB	96dB
▪ Capability	1Ω Stereo/2Ω Bridged	1Ω Stereo/2Ω Bridged
▪ Master Carton	3	3

## 5 CHANNEL AMPLIFIER

SPECS	WDX PRO2500.5
▪ Internal Circuitry	5 Channel Class D
▪ 1Ω @ 14.4 Volts	4 x 200 Watts
▪ 2Ω @ 14.4 Volts	4 x 100 Watts
▪ 1Ω @ 14.4 Volts	1 x 1000 Watts
▪ Frequency Response	10Hz - 25KHz
▪ Signal to Noise Ratio	96dB
▪ Capability	1Ω
▪ Master Carton	3



# MONOBLOCK AMPLIFIERS



## FEATURES:

- ATC - Audiophile RCA Connectors
- ACT - Adaptive Crossover Technology
- High efficiency Class Full Range Class D Technology
- Large Gauge Speaker Terminals
- Large Gauge Power Wire Inputs
- APC - Audio Protection Circuit
- SESI - Signal Evaluation Status Indicator
- CHM - Collective Heat Management
- Bass Remote with voltage, temperature and signal status indicator



SPECS	WDX PRO3000.1D	WDX PRO3000.1D/2	WDX PRO5000.1D	WDX PRO5000.1D/2	WDX PRO8000.1D
▪ Internal Circuitry	Monoblock Class D	Monoblock Class D	Monoblock Class D	Monoblock Class D	Monoblock Class D
▪ 1Ω @ 14.4 Volts	1 x 3000 Watts	N/A	1 x 5000 Watts	N/A	1 x 8000 Watts
▪ 2Ω @ 14.4 Volts	1 x 1500 Watts	1 x 3000 Watts	1 x 2500 Watts	1 x 5000 Watts	1 x 4000 Watts
▪ 4Ω @ 14.4 Volts	1 x 750 Watts	1 x 750 Watts	1 x 1250 Watts	1 x 1250 Watts	1 x 2000 Watts
▪ Frequency Response	35Hz - 70KHz	35Hz - 70KHz	35Hz - 70KHz	35Hz - 70KHz	35Hz - 70KHz
▪ Signal to Noise Ratio	95dB	95dB	95dB	95dB	92dB
▪ Bass Boost	0dB - 12dB	0dB - 12dB	0dB - 12dB	0dB - 12dB	0dB - 12dB
▪ Capability	1Ω	2Ω	1Ω	2Ω	1Ω
▪ Master Carton	3	3	3	3	3

SPECS	WDX PRO10000.1D	WDX PRO16000.1D	WDX PRO20000.1D	WDX PRO30000.1D
▪ Internal Circuitry	Monoblock Class D	Monoblock Class D	Monoblock Class D	Monoblock Class D
▪ 1Ω @ 14.4 Volts	1 x 10,000 Watts	1 x 16,000 Watts	1 x 20,000 Watts	1 x 30,000 Watts
▪ 2Ω @ 14.4 Volts	1 x 5000 Watts	1 x 8000 Watts	1 x 10,000 Watts	1 x 15,000 Watts
▪ 4Ω @ 14.4 Volts	1 x 2500 Watts	1 x 4000 Watts	1 x 5000 Watts	1 x 7500 Watts
▪ Frequency Response	10Hz - 25KHz	10Hz - 25KHz	10Hz - 25KHz	10Hz - 25KHz
▪ Signal to Noise Ratio	92dB	92dB	92dB	92dB
▪ Bass Boost	0dB - 12dB	0dB - 12dB	0dB - 12dB	0dB - 12dB
▪ Capability	1Ω	1Ω	1Ω	1Ω
▪ Master Carton	1	1	1	1

Dimensions	Length	Height	Width
WDXPRO1000.4	8.50" / 216mm	2.75in / 70mm	9.25 in/ 235mm
WDXPRO2000.4	9.80" / 250mm	2.75in / 70mm	9.25 in/ 235mm
WDXPRO2500.5	13" / 330mm	2.75in / 70mm	9.25 in/ 235mm
WDXPRO3000.1D	8.50" / 216mm	2.75in / 70mm	9.25 in/ 235mm
WDXPRO3000.1D/2	8.50" / 216mm	2.75in / 70mm	9.25 in/ 235mm
WDXPRO5000.1D	11.65" / 296mm	2.75in / 70mm	9.25 in/ 235mm

Dimensions	Length	Height	Width
WDXPRO5000.1D/2	11.65" / 296mm	2.75in / 70mm	9.25 in/ 235mm
WDXPRO8000.1D	15" / 381mm	2.75in / 70mm	9.25 in/ 235mm
WDXPRO10000.1D	20.60" / 525mm	2.75in / 70mm	9.25 in/ 235mm
WDXPRO16000.1D	23.30" / 592mm	2.75in / 70mm	9.25 in/ 235mm
WDXPRO20000.1D	30.65" / 780mm	2.75in / 70mm	9.25 in/ 235mm
WDXPRO30000.1D	35.45" / 900.45mm	2.75in / 70mm	9.25 in/ 235mm

Images displayed are for illustration purposes only and may differ from actual photos

# WDX<sup>TM</sup> MINI SERIES

## 4 CHANNEL AMPLIFIERS

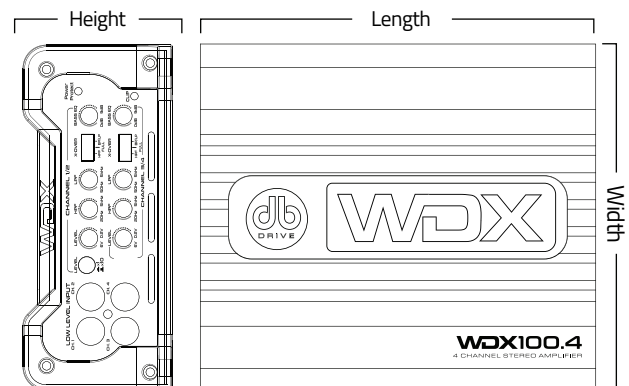


### FEATURES:

- Class D Circuitry
- Direct Connect Speaker Terminals
- 4 Gauge Power Wire Input
- CHM- Collective Heat Management
- ACT - Adaptive Crossover Technology
- SESI - Signal Evaluation Status Indicator
- APC - Audio Protection Circuit

SPECS	WDX100.4	WDX200.4	WDX300.4
▪ Internal Circuitry	4 Channel Class D	4 Channel Class D	4 Channel Class D
▪ 4Ω @ 14.4 Volts	4 x 100W	4 x 200W	4 x 300W
▪ 2Ω @ 14.4 Volts	4 x 150W	4 x 300W	4 x 400W
▪ 4Ω Bridged	2 x 150W	2 x 300W	2 x 400W
▪ Min. Capability	2Ω Stereo / 4Ω Bridged	2Ω Stereo / 4Ω Bridged	2Ω Stereo / 4Ω Bridged
▪ Master Carton	5	5	5

Dimensions	Length	Height	Width
WDX100.4	8.25" / 209.6mm	2.38in / 60.5mm	5.50in / 139.7mm
WDX200.4	9" / 228.6mm	2.38in / 60.5mm	5.50in / 139.7mm
WDX300.4	10.63" / 270mm	2.38in / 60.5mm	5.50in / 139.7mm



# MONOBLOCK AMPLIFIERS



Bass Remote Included

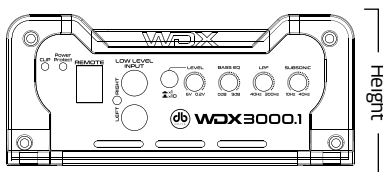
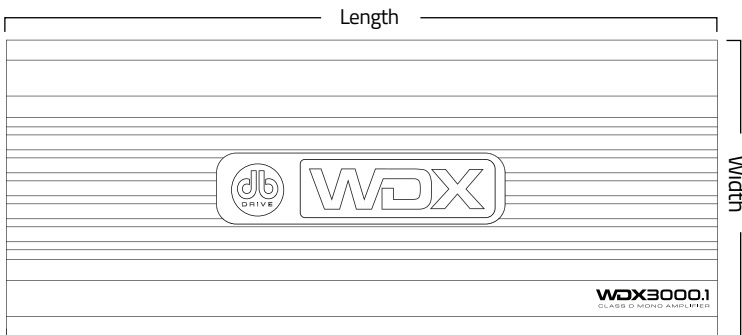


SPECS	WDX4000.1	WDX3000.1	WDX2000.1	WDX1500.1	WDX1000.1	WDX5500.5
▪ Internal Circuitry	Class D Mono	Class D Mono	Class D Mono	Class D Mono	Class D Mono	5 Channel Class D
▪ 1Ω @ 14.4 Volts	1 x 4000W	1 x 3000W	1 x 2000W	1 x 1500W	1 x 1000W	4 x 200W @ 4Ω + 500W @ 2Ω
▪ 2Ω @ 14.4 Volts	1 x 2000W	1 x 1500W	1 x 1000W	1 x 750W	1 x 500W	4 x 400W @ 2Ω + 500W @ 2Ω
▪ 4Ω @ 14.4 Volts	1 x 1000W	1 x 750W	1 x 500W	1 x 375W	1 x 250W	N/A
▪ Variable Subsonic Filter	10Hz ~ 40Hz	10Hz ~ 40Hz	10Hz-40Hz	10Hz-40Hz	10Hz-40Hz	0Hz ~ 25Hz
▪ Capability	1Ω Mono	1Ω Mono	1Ω Mono	1Ω Mono	1Ω Mono	2Ω Stereo / 2Ω 5th Channel
▪ Master Carton	3	4	5	5	5	5

Dimensions	Length	Height	Width
WDX1000.1	9" / 228.6mm	2.38in / 60.5mm	5.50in / 139.7mm
WDX1500.1	10.50" / 266.7mm	2.38in / 60.5mm	5.50in / 139.7mm
WDX2000.1	12.13" / 308.1mm	2.38in / 60.5mm	5.50in / 139.7mm
WDX3000.1	15.25" / 387.4mm	2.38in / 60.5mm	5.50in / 139.7mm
WDX4000.1	20.63" / 524mm	2.38in / 60.5mm	5.50in / 139.7mm
WDX5500.5	10.63" / 270mm	2.38in / 60.5mm	5.50in / 139.7mm

## FEATURES:

- Class D Circuitry
- Direct Connect Speaker Terminals
- 4 Gauge Power Wire Input
- CHM- Collective Heat Management
- ACT - Adaptive Crossover Technology
- SESI - Signal Evaluation Status Indicator
- APC - Audio Protection Circuit



Images displayed are for illustration purposes only and may differ from actual photos

# WDX™

## MARINE

### AMPLIFIER



# 1500

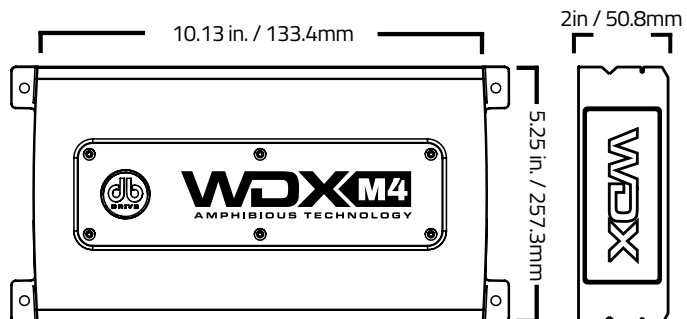
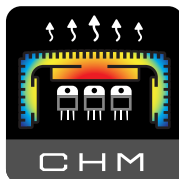
## WATTS

#### FEATURES:

- 4 Channel full range class D technology
- IPX6 Marine grade conformal coated PCB
- ACT – Adaptive Crossover Technology
- CHM – Collective Heat Management
- APC – Audio Protection Circuit
- 2 ohm stereo load capability
- Bridgeable outputs @ 4ohm load
- Compatible with any 4/2 ohm loudspeaker

#### SPECIFICATIONS:

- POWER: 4 X 150 WATTS @ 4 OHMS
- POWER: 4 X 300 WATTS @ 2 OHMS
- POWER: 2 X 600 WATTS , 4 OHM Bridged
- Frequency Response: 20Hz ~ 22KHz
- Signal to Noise Ratio: 103
- Damping factor: 200<
- Low Level Input: 6V - 0.2mV
- Independent Selectable X-over for HPF / LPF /Full
- Variable High/Low Pass Filter (Ch1/2): 40Hz ~ 300Hz
- Variable High/Low Pass Filter (Ch3/4): 40Hz ~ 300Hz
- Working Voltage: 12 ~ 15 volts



# WDX<sup>TM</sup>

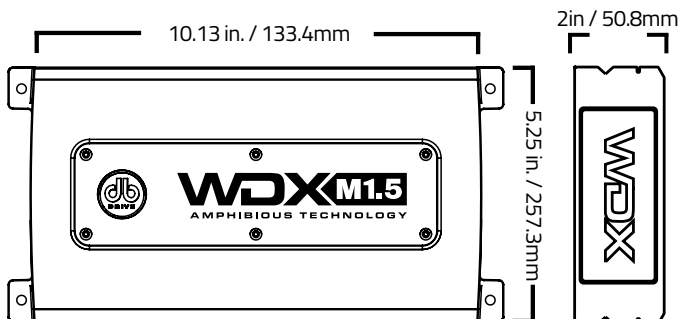
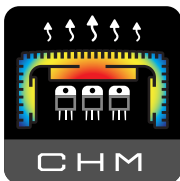
## MARINE

### AMPLIFIER



# 1500

## WATTS



#### FEATURES:

- Mono Class D Technology
- IPX6 Marine Grade Conformal Coated PCB
- ACT – Adaptive Crossover Technology
- CHM – Collective Heat Management
- APC – Audio Protection Circuit
- Amphibious Compliant Connections
- 1 Ohm Mono Capability
- Compatible with any 1 or 2 Ohm Subwoofer
- Bass Remote Included

#### SPECIFICATIONS:

- POWER: 1 X 1500 WATTS @ 1 OHM
- POWER: 1 X 750 WATTS @ 2 OHMS
- POWER: 1 X 375 WATTS @ 4 OHMS
- Frequency Response :20Hz ~ 250Hz
- Signal to Noise Ratio: 95
- Damping Factor: 100<
- Low Level Input: 6V - 0.2mV
- Variable Low Pass Filter : (12 dB Slope) 30Hz ~ 300Hz
- Variable Subsonic Filter (12 dB Slope) 25Hz ~ 60Hz
- Selectable Bass Boost @ 45Hz: 0-12dB
- Working Voltage : 12 ~ 15 volts

# NEO

POWERSPORTS  
AMPLIFIERS



## NEO5v2

5 CHANNEL CLASS D AMPLIFIER



### FEATURES

- 5 Channel Full Range D Technology
- 2Ω stereo load capability on Stereo Channels
- 2Ω mono load Capability on 5th Mono Channel
- Amphibious grade conformal coating on PCB
- Audiophile Grade RCA connectors
- Variable 12 db High/ Low-pass Crossover Filters
- Bridgeable outputs @ 4Ω load
- Double Sided PCB
- Remote Bass Control Included
- Compatible with any 4/2 Ω Loudspeaker



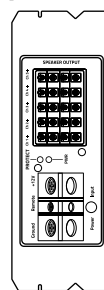
Bass Remote Included

# 2750 WATTS

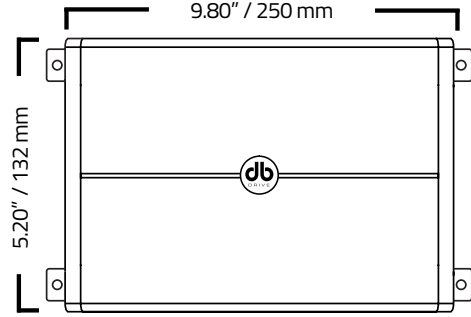


SPECS	NEO5v2
▪ Internal Circuitry	5 Ch. Class D
▪ 4Ω @ 14.4 Volts	4x125 Watts
▪ 2Ω @ 14.4 Volts	4x250 Watts
▪ 4Ω Bridged	2x250 Watts
▪ 2Ω @ 14.4 Volts / 5 Ch	1X 500 Watts
▪ Capability	4/2 Ω
▪ Master Carton	5

1.85" / 47 mm



9.80" / 250 mm



5.20" / 132 mm





# NEO

## POWERSPORTS

### AMPLIFIERS



# NEO4v2

# NEO1.5v2

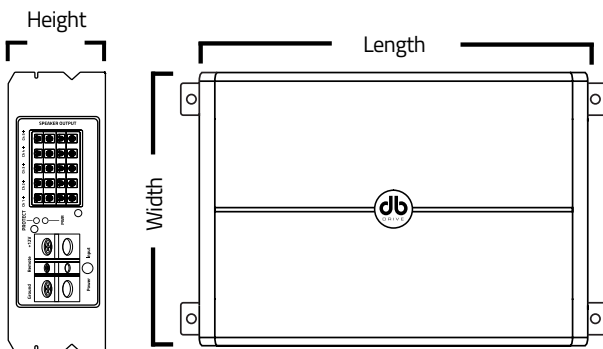
#### FEATURES

- Class D Circuitry
- 2Ω Stereo capability (NEO4v2)
- 1Ω Mono capability (NEO1.5Kv2)
- Audiophile grade RCA connectors
- Amphibious grade conformal coating on PCB
- Marine grade conformal coated on PCB
- Double sided circuit tablet
- Bridgable outputs @ 4Ω load
- Remote Bass Control Included (NEO1.5Kv2)



\*Bass Remote Included (NEO1.5Kv2)

SPECS	NEO4v2	NEO1.5Kv2
▪ Internal Circuitry	4 Ch. Class D	Class D Mono
▪ 4Ω @ 14.4 Volts	4x125 Watts	N/A
▪ 2Ω @ 14.4 Volts	4x250 Watts	1x350 Watts
▪ 4Ω Bridged	2x500 Watts	N/A
▪ 1Ω @ 14.4 Volts	N/A	1x750 Watts
▪ Capability	4 / 2Ω	1Ω Mono
▪ Master Carton	8	8



Dimensions	Length	Height	Width
NEO4v2	7.80" / 198mm	1.85" / 47mm	5.3" / 135mm
NEO1.5Kv2	8.75" / 225mm	1.85" / 47mm	5.3" / 135mm

# NEO *M*

POWERSPORTS  
AMPLIFIERS



## NEO *M*4



### FEATURES

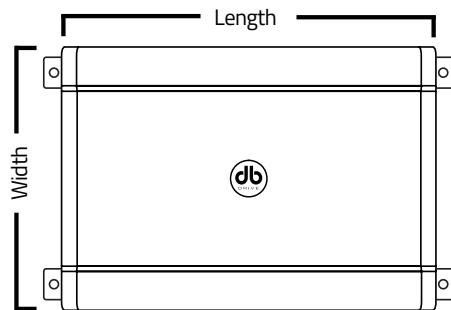
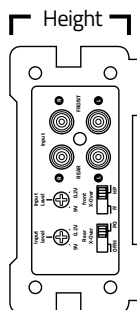
- Class D full range circuitry
- 2  $\Omega$  stereo capability (NEOM2/ NEOM4)
- 2  $\Omega$  mono capability (NEOM1)
- Audiophile grade nickel plated RCA connectors
- Marine grade conformal coated double sided PCB
- Variable 12dB High-Pass or Low-Pass Crossover Filter



SPECS	NEOM1	NEOM2	NEOM4
Internal Circuitry	Class D Mono	2 Ch. Class D	4 Ch. Class D
4 $\Omega$ @ 14.4 Volts	1x250 Watts	2x125 Watts	4x50 Watts
2 $\Omega$ @ 14.4 Volts	1x500 Watts	2x250 Watts	4x100 Watts
4 $\Omega$ Bridged	N/A	1x500 Watts	N/A
Min. Capability	2 $\Omega$ Mono	2 $\Omega$ Stereo	2 $\Omega$ Stereo
Master Carton	10	10	10



Dimensions	Length	Height	Width
NEOM1	6.10in / 155mm	1.92in / 48.7mm	4.13in / 105mm
NEOM2	6.10in / 155mm	1.92in / 48.7mm	4.13in / 105mm
NEOM4	6.10in / 155mm	1.92in / 48.7mm	4.13in / 105mm



# MOTO

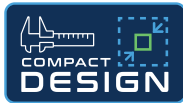
## POWERSPORTS

### AMPLIFIERS



#### FEATURES

- Conformal PCB Coating
- CHM- Collective Heat Management
- ACT - Adaptive Crossover Technology
- APC - Audio Protection Circuit
- Class D Circuitry
- 4 Gauge



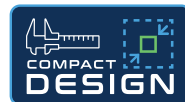
SPECS	MOTO400/4	MOTO800/4
Internal Circuitry	4 Channel Class D	4 Channel Class D
4Ω @ 14.4 Volts	4 x 150 Watts	4 x 300 Watts
2Ω @ 14.4 Volts	4 x 200 Watts	4 x 400 Watts
4Ω @ 14.4 Volts (Bridged)	2 x 200 Watts	2 x 400 Watts
Capability	2Ω Stereo	2Ω Stereo
Master Carton	5	5

## 4CHANNEL AMPLIFIERS



## MONOBLOCK AMPLIFIERS

SPECS	MOTO2000/1	MOTO1000/1
Internal Circuitry	Class D Mono	Class D Mono
1Ω @ 14.4 Volts	1x2000 Watts	1x1000 Watts
2Ω @ 14.4 Volts	1x1000 Watts	1x500 Watts
4Ω @ 14.4 Volts	1x500 Watts	1x250 Watts
Capability	1Ω Mono	1Ω Mono
Master Carton	5	5



DIMENSIONS	L	H	W
MOTO2000/1	7.54in (191.5mm)	2.46in (62.5mm)	5.32in (135.1mm)
MOTO1000/1	6.65in (168.9mm)	2.46in (62.5mm)	5.32in (135.1mm)
MOTO400/4	6.65in (168.9mm)	2.46in (62.5mm)	5.32in (135.1mm)
MOTO800/4	7.83in (198.9mm)	2.46in (62.5mm)	5.32in (135.1mm)

Images displayed are for illustration purposes only and may differ from actual photos

# speedseries

## AMPLIFIERS



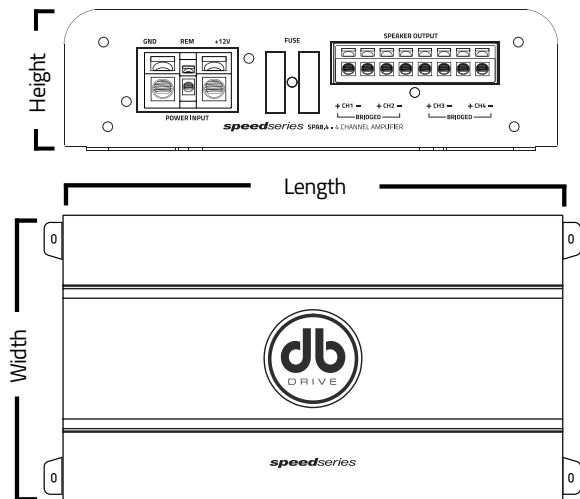
### FEATURES:

- 2Ω Stereo Capability 4 Channel Model
- 1Ω Mono Capability ( SPA12.1D/SPA15.1D )
- 2Ω Mono Capability (SPA6.1M)
- Low Level RCA Input
- Variable 12DB Per Octave Low-Pass X-Over
- Variable High-Pass or Low-pass crossover filters ( SPA8.4 )
- Direct- Connect Connection Terminals
- Buffered Pre-amp input
- Double Sided PCB

SPECS	SPA8.4	SPA6.1M	SPA12.1D	SPA15.1D
Internal Circuitry	4 Channel Class AB	Mono Class A/B	Mono Class D	Mono Class D
4Ω @ 14.4 Volts	4 x 80 Watts	1 x 300 Watts		
2Ω @ 14.4 Volts	4 x 160 Watts	1 x 600 Watts	1 x 600 Watts	1 x 750 Watts
1Ω @ 14.4 Volts			1 x 1200 Watts	1 x 1500 Watts
4Ω Bridged	2 x 320Watts	-	-	-
Capability	2Ω Stereo	2Ω Mono	1Ω Mono	1Ω Mono
Master Carton	4	4	4	4



\* Bass Remote Included  
SPA6.1M, SPA12.1D, SPA15.1D



DIMENSIONS	L	H	W
SPA8.4	11.61in / 295mm	1.93 / 49.1mm	6.98in / 177.4mm
SPA6.1M	7.0in / 180mm	1.93 / 49.1mm	6.98in / 177.4mm
S9A12.1D	10.82in / 275mm	1.93 / 49.1mm	6.98in / 177.4mm
S9A15.1D	10.82in / 275mm	1.93 / 49.1mm	6.98in / 177.4mm



# WDX G5

## SUBWOOFERS



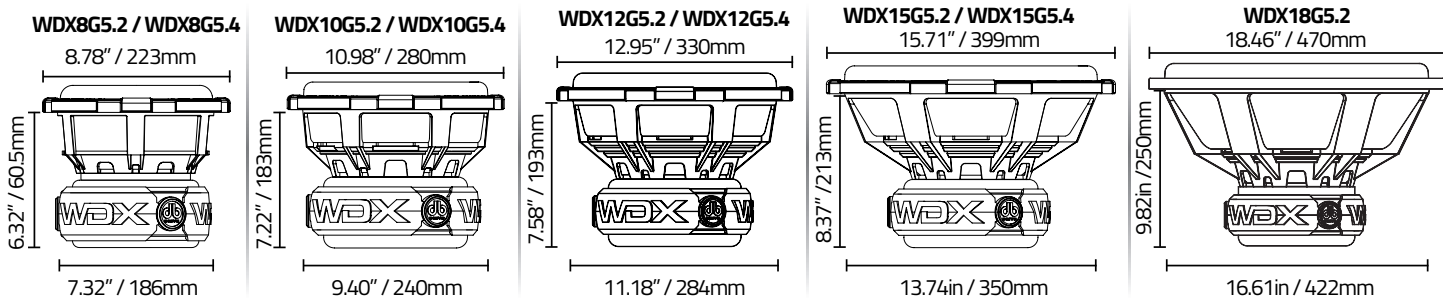
### FEATURES:

- High Temperature Voice Coil
- Non-Pressed Paper Cone
- Dual Poly-Cotton Dampeners
- Die-Cast Aluminum Vented Basket
- Large gauge compression terminals
- Protective magnet cover
- Rubber gasket trim ring

**6000**  
**WATTS**

SPECS	WDX8G5.2 WDX8G5.4	WDX10G5.2 WDX10G5.4	WDX12G5.2 WDX12G5.4	WDX15G5.2 WDX15G5.4	WDX18G5.2
Structure	8"(20.3cm) Woofer	10"(25.4cm) Woofer	12" (30.4cm) Woofer	15" (38cm) Woofer	18" (45.7cm) Woofer
Max power	1800 Watts	3000 Watts	6000 Watts	6000 Watts	6000 Watts
Nominal Power	900 Watts	1500 Watts	3000 Watts	3000 Watts	3000 Watts
Impedance	Dual 2Ω Voice Coil	Dual 2Ω Voice Coil	Dual 2Ω Voice Coil	Dual 2Ω Voice Coil	Dual 2Ω Voice Coil
	Dual 4Ω Voice Coil	Dual 4Ω Voice Coil	Dual 4Ω Voice Coil	Dual 4Ω Voice Coil	N/A
Voice Coil	2.5" / 64mm	3" / 76mm	3" / 76mm	3" / 76mm	3" / 76mm
Master Carton	2	1	1	1	1

### DIMENSIONS



Images displayed are for illustration purposes only and may differ from actual photos

# WDX G3

## SUBWOOFERS



**DOUBLE  
STITCHED**  
FOAM SURROUND



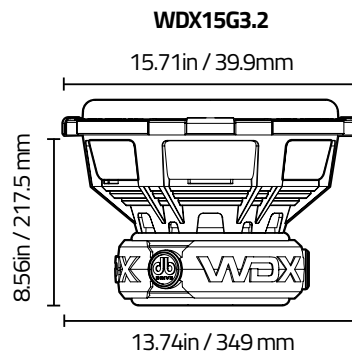
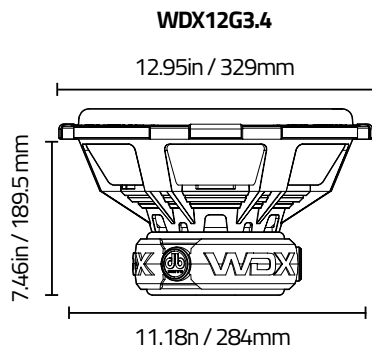
**4000  
WATTS**

### FEATURES:

- Protective magnet cover
- Large gauge compression terminals
  - Rubber gasket trim ring
- Die-cast aluminum vented basket
  - Dual poly-cotton dampeners
- Double stitched foam surround
  - Non-Pressed paper cone
  - High temperature voice coil

SPECS	WDX12G3.4	WDX15G3.4
Structure	12" (30.4cm) Woofer	15" (38.1cm) Woofer
Max power	4000 Watts	4000 Watts
Nominal Power	2000 Watts	2000 Watts
Impedance	Dual 4Ω Voice Coil	Dual 4Ω Voice Coil
Voice Coil	3"	3"
V/C Winding Length	45 mm	45 mm
Magnet Size	190oz.	190oz.
Master Carton	1	1

### DIMENSIONS



# WDX G2

## SUBWOOFERS

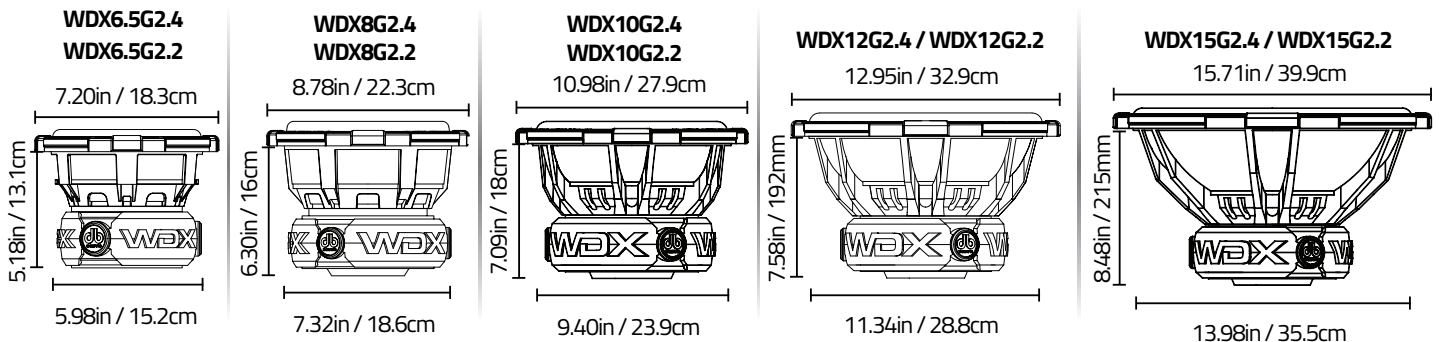


### FEATURES:

- Non-Pressed paper cone
- Double stitched foam surround
- Dual poly-cotton dampeners
- Die-cast aluminum vented basket
- Rubber gasket trim ring
- Large gauge compression terminals
- Protective magnet cover

SPECS	WDX6.5G2.2 WDX6.5G2.4	WDX8G2.2 WDX8G2.4	WDX10G2.2 WDX10G2.4	WDX12G2.2 WDX12G2.4	WDX15G2.2 WDX15G2.4
Structure	6.5" (16.5cm)	8" (20.32cm)	10" (16.5cm)	12" (30.48cm)	15" (38.1cm)
Max power	1500 Watts	1500 Watts	2200 Watts	2500 Watts	2500 Watts
Nominal Power	750 Watts	750 Watts	1100 Watts	1250 Watts	1250 Watts
Impedance	2Ω Dual Voice Coil /4Ω Dual Voice Coil	2Ω Dual Voice Coil /4Ω Dual Voice Coil	2Ω Dual Voice Coil/ 4Ω Dual Voice Coil	2Ω Dual Voice Coil/ 4Ω Dual Voice Coil	2Ω Dual Voice Coil/ 4Ω Dual Voice Coil
Voice Coil	2" (50.8mm)	2.5"(63.5mm)	3" (76.2 mm)	3" (76.2mm)	3" (76.2mm)
Magnet Size	75 oz.	100 oz.	150 oz.	150 oz.	150 oz.
Master Carton	2	2	1	1	1
V/C Winding Length	45 mm	45 mm	45 mm	45 mm	45 mm

### DIMENSIONS



Images displayed are for illustration purposes only and may differ from actual photos

# WDX G1

## SUBWOOFERS



### FEATURES:

- High Temperature Voice coil
- Non-Pressed Paper cone
- Double stitched foam surround
- Dual poly-cotton dampeners
- Die-cast aluminum vented basket
- Rubber gasket trim ring
- Large Gauge compression terminals
- Protective magnet cover

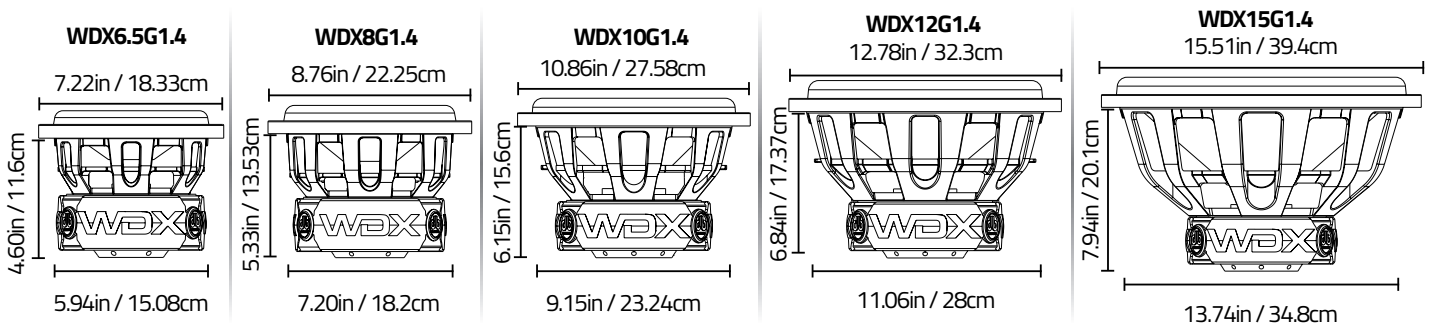
**2000**  
**WATTS**

**DOUBLE**  
**STICHED**  
FOAM SURROUND

**LARGE**  
GAUGE TERMINALS

SPECS	WDX6.5G1.4	WDX8G1.4	WDX10G1.4	WDX12G1.4	WDX15G1.4
Structure	6.5" (16.5cm) Woofer	8" (20.3cm) Woofer	10" (25.4cm) Woofer	12"(30.4cm) Woofer	15"(38.1cm) Woofer
Max power	600 Watts	1200 Watts	2000 Watts	2000 Watts	2000 Watts
Nominal Power	300 Watts	600 Watts	1000 Watts	1000 Watts	1000 Watts
Impedance	Dual 4Ω Voice Coil	Dual 4Ω Voice Coil	Dual 4Ω Voice Coil	Dual 4Ω Voice Coil	Dual 4Ω Voice Coil
Voice Coil	1.5"	2"	3"	3"	3"
Magnet Size	80oz.	120oz.	135oz.	135oz.	135oz.
Master Carton	4	2	1	1	1

### DIMENSIONS





# WDX GO

## SUBWOOFERS



**2000  
WATTS**

**DOUBLE  
STICHED**  
FOAM SURROUND

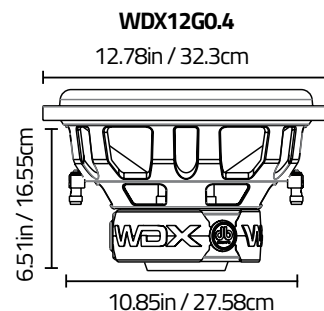
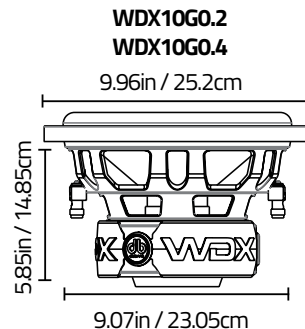
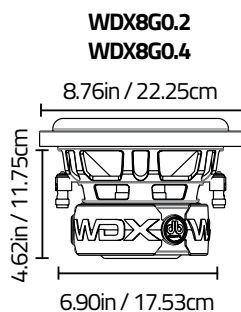
**LARGE**  
GAUGE TERMINAIS

### FEATURES:

- 2" High Temperature Voice coil (WDX8GO.4)
- 2.5" High Temperature Voice coil (WDX10GO.4, WDX12GO.4)
- 4 Ohm DVC
- Reinforced Paper cone
- Double stitched foam surround
- Dual poly-cotton dampeners
- Stamped Cast Steel vented basket
- Rubber gasket trim ring
- Large Gauge compression terminals
- Protective magnet cover

SPECS	WDX8GO.2 WDX8GO.4	NEW WDX10GO.2 WDX10GO.4	WDX12GO.4
Structure	8" (20.3cm) Woofer	10" (25.4cm) Woofer	12" (30.4cm) Woofer
Max power	800 Watts	1000 Watts	1200 Watts
Nominal Power	400 Watts	500 Watts	600 Watts
Impedance	2Ω Dual Voice Coil/ 4Ω Dual Voice Coil	2Ω Dual Voice Coil/ 4Ω Dual Voice Coil	Dual 4Ω Voice Coil
Voice Coil	2"	2.5"	2.5"
Magnet Size	80oz.	100oz.	100oz.
Master Carton	2	2	2

### DIMENSIONS



# speedseries

## SUBWOOFERS



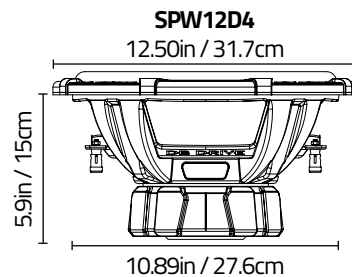
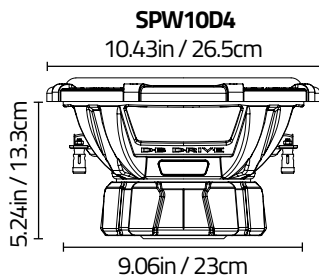
# 1250 WATTS

### FEATURES:

- 2" (50mm) 4 Layer Voice Coil w/ KSV Former
- 64oz. Ferrite Oxide magnet
- Vac PP Sub Cone Structure with Butyl rubber Surround
- Inverted Vac PP Dome
- Anti-resonant Stamped Steel frame
- High Carbon Steel top and bottom plates
- Poly-Cotton Dampeners
- Compression Speaker Terminals

SPECS	SPW10D4	SPW12D4
Structure	10" (25.4cm) Woofer	12" (30.4cm) Woofer
Max power	1250 Watts	1250 Watts
Nominal Power	600 Watts	600 Watts
Impedance	Dual 4Ω Voice Coil	Dual 4Ω Voice Coil
Master Carton	2	2

### DIMENSIONS



# speedseries

## SHALLOW SUBWOOFERS

**1000  
WATTS**

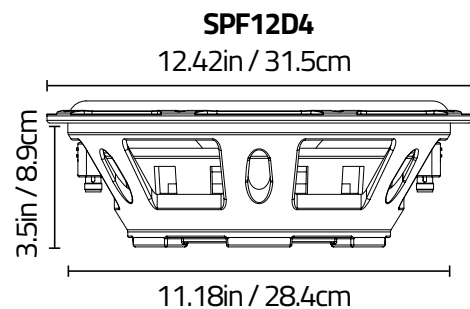
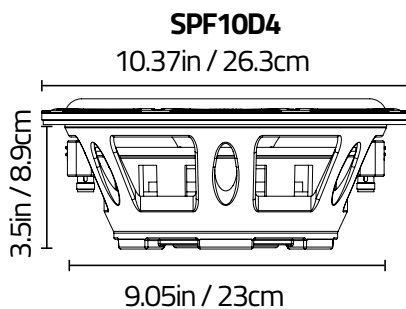


### FEATURES:

- 2.5" (63mm) 4 Layer Dual 4 Ohm VC w/ Aluminum Former
- Ferrite Magnet
- IMPP Cone with Foam Surround
- Ultra Thin Stamped Steel Frame Design
- Blue Zinc Finished Top and Bottom Plates
- Mixed C Fiber Spider
- Heavy Gauge Spring Terminals

SPECS	SPF10D4	SPF12D4
Structure	10" (25.4cm) Woofer	12" (30.4cm) Woofer
Max power	1000 Watts	1000 Watts
Nominal Power	300 Watts	300 Watts
Impedance	Dual 4Ω Voice Coil	Dual 4Ω Voice Coil
Magnet Size	40oz.	60oz.
Master Carton	4	4

### DIMENSIONS



# WDX G2

BASS • CRATE  
ENCLOSURES



**DOUBLE  
STICHED**  
FOAM SURROUND

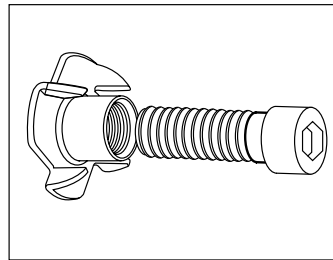
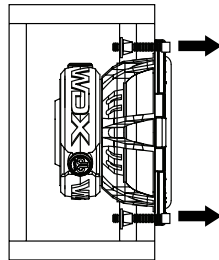
**3"**  
Voice Coil

Preloaded with WDX G2 Series Subwoofers



**FEATURES:**

- 0.75" (19mm) MDF High Grade Construction
- Dual Layer Front Baffle 1.5" (38mm) Thick
- Counter Sunk Subwoofer Mounting T-nut Fasteners
- Plush Protective Carpet with Signature WDX Logo
- Factory tuned vent
- Protective Bar Grills
- 12 Gauge Copper Wiring
- Spring load terminals



**T-NUT  
FASTENERS**

**BASS CRATE BOX SPECIFICATIONS**

SUBWOOFER	NUMBER OF SUBWOOFERS	OHM LOAD	WATTS	LENGTH, WIDTH, HEIGHT
WDX6-3BC	3 SUBS	1Ω	1500 Watts	28in/71.1cm x 15.8in/40.1cm x 11in/27.9cm
WDX8-2BC	2 SUBS	1Ω or 4Ω	1500 Watts	27.9in/70.8cm x 15in/38.1cm x 12in/30.4cm
WDX8-3BC	3 SUBS	1Ω	3000 Watts	36in/91.4cm x 15.8in/40.1cm x 13in/33cm
WDX10-2BC	2 SUBS	1Ω or 4Ω	3000 Watts	32in/81.2cm x 15in/38.1cm x 13in/33cm
WDX12-2BC	2 SUBS	1Ω or 4Ω	3000 Watts	32in/81.2cm x 16.8in/42.6cm x 15in/38.1cm



# speedseries

BASS • CRATE  
ENCLOSURES

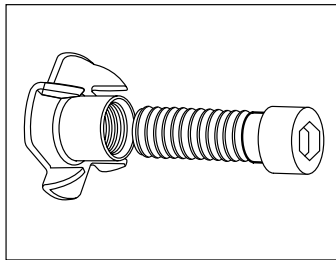
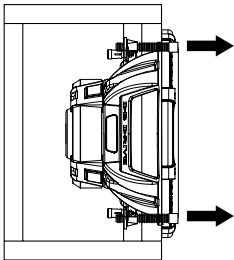


Preloaded with SPX Series Subwoofers



**WEDGE  
DESIGN**

**T-NUT  
FASTENERS**



**T-NUT  
FASTENERS**

**FEATURES:**

- MDF High Grade Construction
- Dual Layer Front Baffle
- Counter Sunk Subwoofer Mounting T-nut Fasteners
- Plush Protective Carpet with Signature Speed Logo
- 12 Gauge Copper Wiring
- Spring load terminals

**BASS CRATE BOX SPECIFICATIONS**

SUBWOOFER	NUMBER OF SUBWOOFERS	OHM LOAD	WATTS	LENGTH, WIDTH, HEIGHT
SPX10-2BC	2 SUBS	1Ω or 4Ω	1000 Watts	24in/60.9cm x 15in/38cm x 12in/30.4cm
SPX12-1BC	1 SUB	4Ω	900 Watts	13.9in/35.3cm x 16.4in/41cm/ x 13in/33cm
SPX12-2BC	2 SUBS	1Ω or 4Ω	1000 Watts	28.5in/72.3cm x 16.4in/41cm x 13.25in/33.6cm

Notice:  
 Recommended minimum amplifier power options from most compatible (Green) to acceptable (Orange) levels.  
 More powerful amplifiers may be used with proper calibration.

SUBWOOFER	NUMBER OF SUBWOOFERS	RECOMMENDED AMPLIFIER OPTION 1	RECOMMENDED AMPLIFIER OPTION 2	RECOMMENDED AMPLIFIER OPTION 3
<b>DB DRIVE WDX G5</b>				
WDX8G5.2	1 SUB @ 1Ω	WDX2000.1	WDX1500.1	SPA12.1D
WDX8G5.4	2 SUBS @ 1Ω	WDX4000.1	WDX3000.1	SPA12.1D
WDX10G5.2	1 SUB @ 1Ω	WDX4000.1	WDX3000.1	SPA15.1D
WDX10G5.4	2 SUBS @ 1Ω	WDXPRO3000.1D	WDX4000.1	SPA15.1D
WDX12G5.2	1 SUB @ 1Ω	WDXPRO3000.1D	WDXPRO3000.1D	
WDX12G5.4	2 SUBS @ 1Ω	WDXPRO5000.1D	WDX4000.1	
WDX15G5.2	1 SUB @ 1Ω	WDXPRO3000.1D	WDX3000.1	
WDX15G5.4	2 SUBS @ 1Ω	WDXPRO5000.1D	WDX4000.1	
<b>DB DRIVE WDX G3</b>				
WDX12G3.4	2 SUBS @ 1Ω	WDXPRO3000.1D	WDX3000.1	
WDX12G3.4	2 SUBS @ 1Ω	WDXPRO3000.1D	WDX3000.1	
<b>DB DRIVE WDX G2</b>				
WDX6.5G2.4	2 SUBS @ 1Ω	WDX1000.1	MOTO1000/1	SPA12.1D
WDX8G2.4	2 SUBS @ 1Ω	WDX1500.1	MOTO2000/1	SPA15.1D
WDX10G2.4	2 SUBS @ 1Ω	WDX2000.1	SPA12.1D	MOTO1000/1
WDX12G2.4	2 SUBS @ 1Ω	WDX3000.1	SPA15.1D	MOTO2000/1
WDX12G2.2	1 SUB @ 1Ω	WDX2000.1	SPA12.1D	MOTO1000/1
WDX15G2.4	2 SUBS @ 1Ω	WDX3000.1	SPA15.1D	MOTO2000/1
WDX15G2.2	1 SUB @ 1Ω	WDX4000.1	WDXPRO3000.1D	SPA15.1D
<b>DB DRIVE WDX G2F</b>				
WDX8G2F-4	2 SUBS @ 1Ω	WDX1500.1	MOTO2000/1	SPA12.1D
WDX10G2F-4	2 SUBS @ 1Ω	WDX1500.1	MOTO2000/1	SPA12.1D
<b>DB DRIVE WDX G1</b>				
WDX6.5G1.4	2 SUBS @ 1Ω	WDX1000.1	NEO1.5Kv2	SPA12.1D
WDX8G1.4	2 SUBS @ 1Ω	WDX1500.1	NEO1.5Kv2	SPA12.1D
WDX10G1.4	2 SUBS @ 1Ω	WDX2000.1	SPA12.1D	NEO1.5Kv2
WDX12G1.4	2 SUBS @ 1Ω	WDX2000.1	SPA15.1D	
WDX15G1.4	2 SUBS @ 1Ω	WDX3000.1	SPA15.1D	
<b>DB DRIVE WDX G0</b>				
WDX8G0.2	2 SUBS @ 1Ω	WDX1000.1	SPA12.1D	MOTO1000/1
WDX8G0.4	1 SUBS @ 2Ω	WDX1000.1	SPA12.1D	MOTO1000/1
WDX10G0.2	2 SUBS @ 1Ω	WDX1500.1	SPA15.1D	MOTO1000/1
WDX10G0.2	1 SUBS @ 2Ω	WDX1500.1	SPA12.1D	MOTO2000/1
WDX12G0.4	2 SUBS @ 1Ω	WDX2000.1	SPA15.1D	MOTO2000/1
<b>DB DRIVE SPEED SERIES</b>				
SPW10D4	2 SUBS @ 1Ω	WDX1500.1	SPA12.1D	MOTO1000/1
SPW12D4	2 SUBS @ 1Ω	WDX1500.1	SPA12.1D	MOTO1000/1
SPF10D4	2 SUBS @ 1Ω	WDX1000.1	SPA12.1D	MOTO1000/1
SPF12D4	2 SUBS @ 1Ω	WDX1000.1	SPA12.1D	MOTO1000/1
<b>WDX BASS CRATE</b>				
WDX6-3BC	3 SUBS	WDX2000.1 @ 1Ω	SPA12.1D @ 1Ω	
WDX8-2BC	2 SUBS	WDX2000.1 @ 1Ω	SPA15.1D @ 1Ω	
WDX8-3BC	3 SUBS	WDX3000.1 @ 1Ω	SPA15.1D @ 1Ω	
WDX10-2BC	2 SUBS	WDX2000.1 @ 1Ω	SPA15.1D @ 1Ω	
WDX12-2BC	2 SUBS	WDX3000.1 @ 1Ω	SPA15.1D @ 1Ω	
<b>SPEED BASS CRATE</b>				
SPX10-2BC	2 SUBS	WDX1000.1 @ 1Ω	MOTO1000/1 @ 1Ω	
SPX12-1BC	1 SUB	WDX100.4 @ 4Ω	MOTO400/4 @ 4Ω	
SPX12-2BC	2 SUBS	WDX1500.1 @ 1Ω	MOTO1000/1 @ 1Ω	



# WDX-AS10

10" [25.4cm] ACTIVE SUBWOOFER

**FEATURES:**

- Dynamic Power – 900 Watts
- RMS Power – 250 Watts
- Adjustable Input sensitivity
- Low Level RCA INPUTS
- Factory Radio High Level Inputs
- Selectable Audio Sensing Remote Turn On
- Variable Low-pass Filter 50Hz – 150Hz
- Variable Bass Boost @ 45Hz 0-18 dB
- Active Subsonic Filter @ 20Hz
- Selectable Phase Shift 0 to 180 Degrees
- Remote Gain Control
- Multi-fault Protection Circuitry
- MOSFET Power Supply



<b>Master Carton</b>
3

**900  
WATTS**



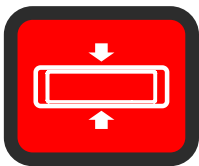
Bass Remote Included



Factory Radio Compatible



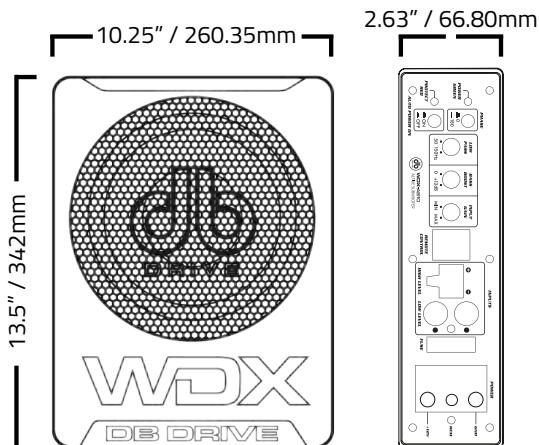
Bass Remote



Low Profile



Fits Under Most Seats



- Powered 10" Sub-Woofer In Compact Size
- Fits Under Most Front Car Seats
- Giving Your Vehicle Better Sound and Bass Response

Images displayed are for illustration purposes only and may differ from actual photos

# WDX6

## MOTO-4CD

SPEAKER KIT WITH BACK LOADED  
COMPRESSION DRIVER TWEETERS (4 SPEAKERS)

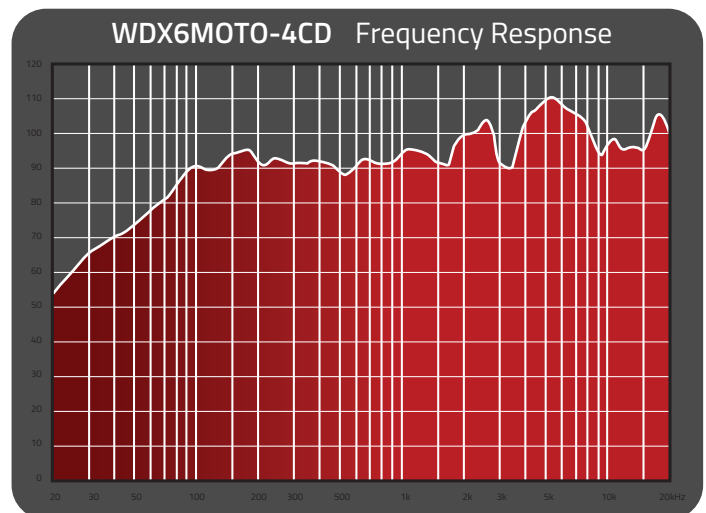
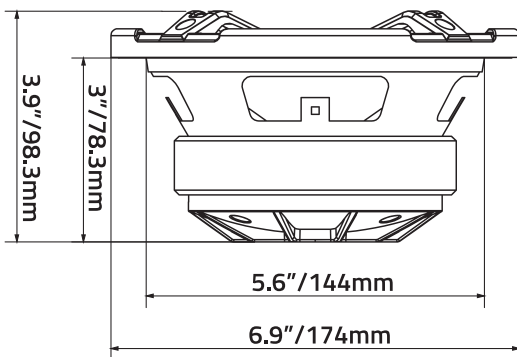


**1000**  
WATTS

**FEATURES:**

- High dispersion waveguide with 1" Aluminum compression driver
- IP51 Weather treated Cone Design
- Bi-Ribbed Treated Cloth midrange Surround
- 1.5" High Temperature Til Midrange Voice Coil
- High Energy Ferrite Oxide Magnet

SPECS	WDX6MOTO-4CD
Structure	6.5" (16.5cm) Loudspeaker
Max power	500 Watts
Nominal Power	250 Watts
Impedance	4Ω
Sensitivity	102.7dB
Frequency Response	90Hz - 18KHz
Master Carton	2





# WDX5N

6.5-4MTW

6.5" HIGH EFFICIENCY NEO PRO AUDIO COMPONENT SYSTEM



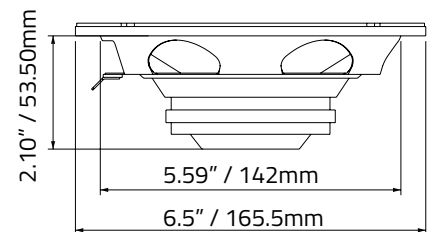
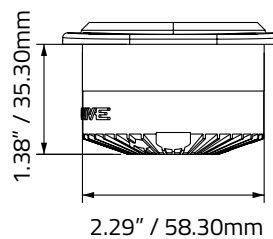
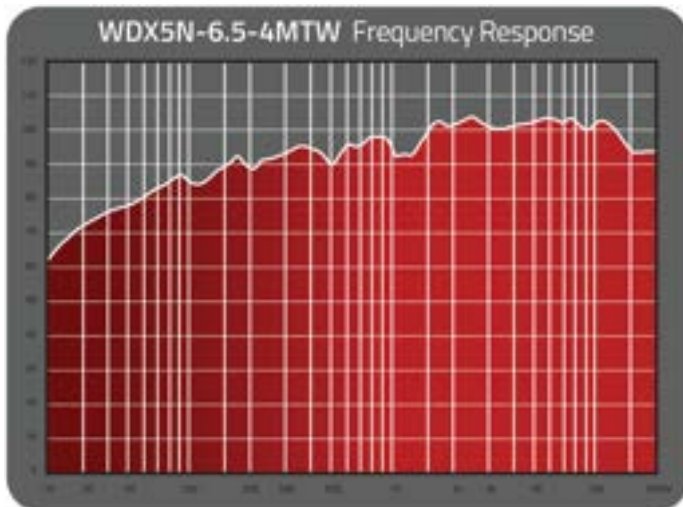
**2800**  
WATTS



**FEATURES:**

- 1" Titanium Dome Elliptical Compression Tweeter
- 6.5" high output Neo midrange
- Weather treated midrange cone
- Bi-Ribbed Treated Cloth midrange Surround
- 1.5" High Temperature Til Midrange Voice Coil
- Neodymium magnet

SPECS	WDX5N-6.5-4MTW
Structure	6.5" (16.5cm) Midrange
Tweeter Max power	300 Watts
Tweeter Nominal Power	125 Watts
Midrange Max power	400 Watts
Midrange Nominal Power	150 Watts
Impedance	4Ω Tweeter / 4Ω Midrange
Sensitivity	112dB Tweeter / 95.8dB Midrange
Frequency Response	135Hz - 20Hz
Master Carton	2



Images displayed are for illustration purposes only and may differ from actual photos

# WDX5N

6.5-2MTW

6.5" HIGH EFFICIENCY NEO PRO AUDIO COMPONENT SYSTEM



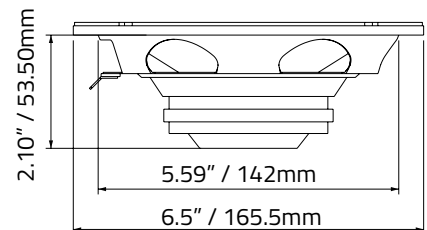
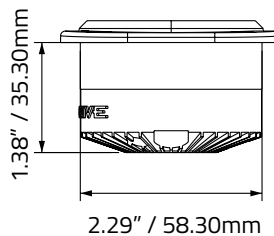
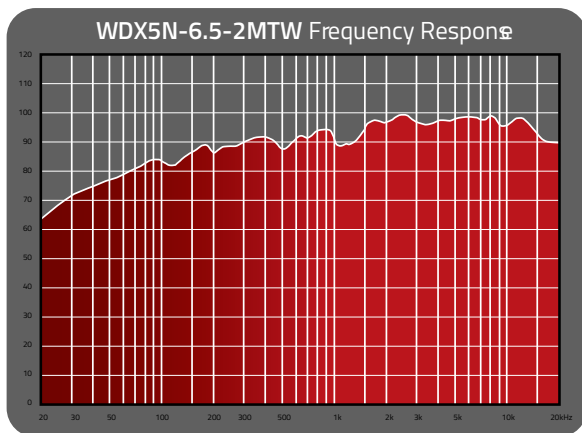
**1400**  
WATTS



**FEATURES:**

- 1" Titanium Dome Elliptical Compression Tweeter
- 6.5" high output Neo midrange
- Weather treated midrange cone
- Bi-Ribbed Treated Cloth midrange Surround
- 1.5" High Temperature Til Midrange Voice Coil
- Neodymium magnet

SPECS	WDX5N-6.5-2MTW
Structure	6.5" (16.5cm) Midrange
Tweeter Max power	300 Watts
Tweeter Nominal Power	125 Watts
Midrange Max power	400 Watts
Midrange Nominal Power	150 Watts
Impedance	4Ω Tweeter / 4Ω Midrange
Sensitivity	113dB Tweeter / 95.8dB Midrange
Frequency Response	135Hz - 20Hz
Master Carton	4



# WDX 7

6.5-4MTW

6.5" DUAL PROAUDIO COMPONENT SYSTEM

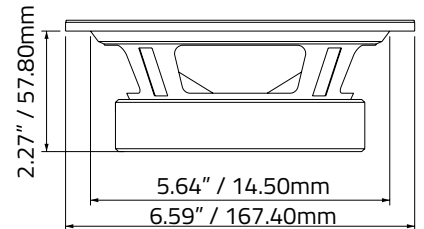
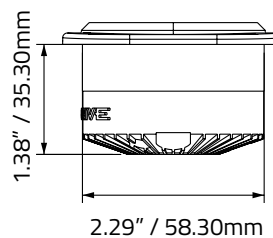
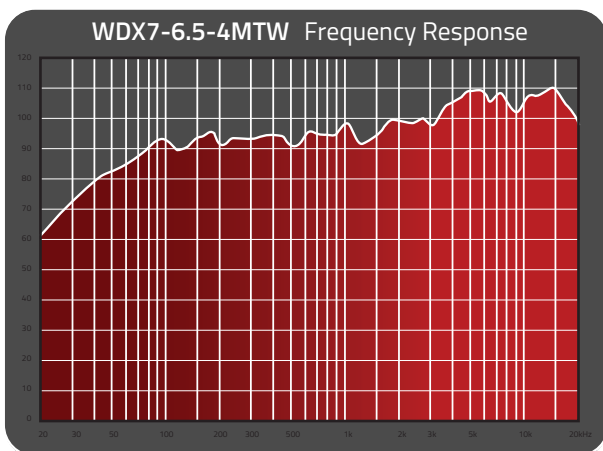


**2500 WATTS**

**FEATURES:**

- 1" Titanium Dome Elliptical Compression Tweeter
- 6.5" high output Neo midrange
- Weather treated midrange cone
- Bi-Ribbed Treated Cloth midrange Surround
- 1.5" High Temperature Til Midrange Voice Coil
- Ferrite Oxide ceramic magnet

SPECS	WDX7-6.5-4MTW
Structure	6.5" (16.5cm) Midrange
Tweeter Max power	300 Watts
Tweeter Nominal Power	125 Watts
Midrange Max power	325 Watts
Midrange Nominal Power	200 Watts
Impedance	4Ω Tweeter / 4Ω Midrange
Sensitivity	112dB Tweeter / 91.3dB Midrange
Frequency Response	80Hz - 20Hz
Master Carton	2



# WDX5

## 6.5-2MTW

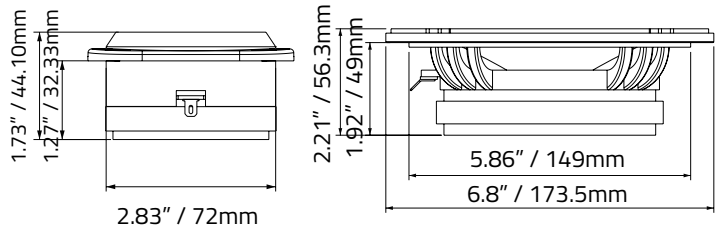
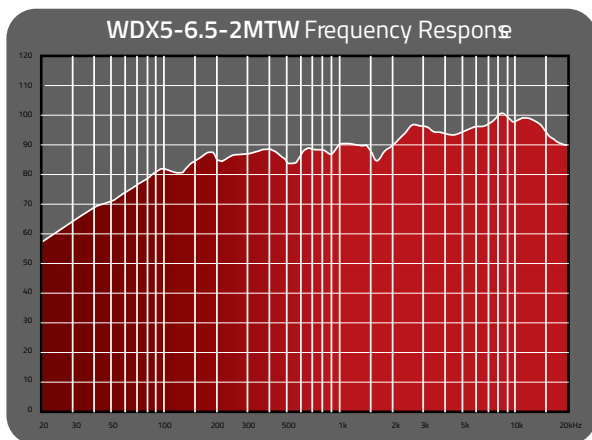
6.5" PRO AUDIO COMPONENT SYSTEM



**FEATURES:**

- 6.5" Shallow Mount Die-Cast Midrange
- Weather Treated Midrange Cone
- Bi-Ribbed Treated Cloth Midrange Surround
- 1.5" High Temperature Til Midrange Voice Coil
- Ferrite Oxide Ceramic Magnet

SPECS	WDX5-6.5-2MTW
Structure	6.5" (16.5cm) Midrange
Tweeter Max power	300 Watts
Tweeter Nominal Power	150 Watts
Midrange Max power	225 Watts
Midrange Nominal Power	125 Watts
Impedance	4Ω Tweeter / 4Ω Midrange
Sensitivity	107dB Tweeter / 91.3dB Midrange
Frequency Response	78Hz - 22KHz
Master Carton	4



# WDX™ 7N-TW

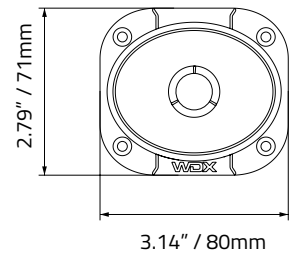
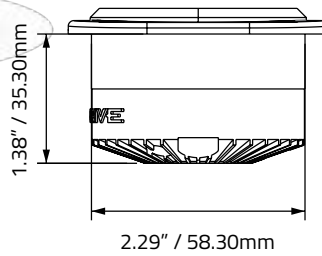


**FEATURES:**

- 1" Pro Audio Mini Tweeter
- High output Titanium dome
- Wide Dispersion Elliptical Waveguide
- Neodymium magnet
- 6 db high pass filter included
- Includes 1- Pair Tweeters



SPECS	WDX7N-TW
Voice coil	1" Pro Audio Mini Tweeter
Tweeter Max power	300 Watts
Tweeter Nominal Power	125 Watts
Impedance	4Ω Tweeter
Sensitivity	112dB
Master Carton	12



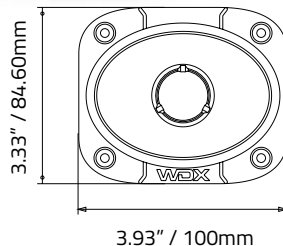
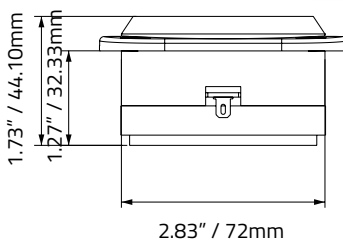
# WDX™ 5-TW

**FEATURES:**

- 1" Pro Audio Tweeter
- High output dome
- Wide Dispersion Elliptical Waveguide
- 6 db high pass filter included
- Includes 1- Pair Tweeters



SPECS	WDX5-TW
Voice coil	1" Pro Audio Tweeter
Tweeter Max power	300 Watts
Tweeter Nominal Power	150 Watts
Impedance	4Ω Tweeter
Sensitivity	107dB
Master Carton	12



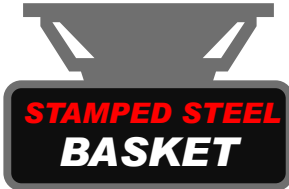
# WDX<sup>TM</sup>

## MOTO

### SERIES

# WDX6MOTO-CD

6.5" 2 Way Loudspeaker



**500**  
**WATTS**

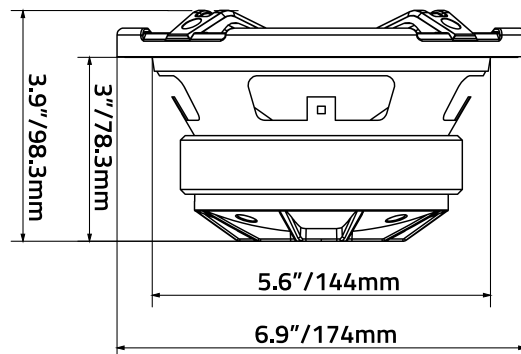


SPECS	WDX6MOTO-CD
Structure	6.5" (16.5cm) Loudspeaker
Max power	500 Watts
Nominal Power	250 Watts
Impedance	4Ω
Sensitivity	103.5dB
Frequency Response	90Hz - 18KHz
Master Carton	4

#### FEATURES:

- 1" Aluminum Compression Style Tweeter
- Element Rated Cone Design
- Bi-Ribbed Treated Cloth Surround
- 1.5" High Output Til Midrange Voice
- Protective Grill Included

#### DIMENSIONS



# WDX69MOTO-CD

6x9" 2 Way Loudspeaker W/Backloaded Compression Driver



## FEATURES:

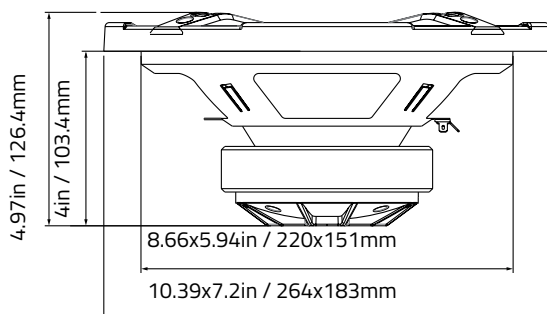
- 1" Aluminum Compression Style Tweeter
- Element Rated Cone Design
- Bi-Ribbed Treated Cloth Surround
- 1.5" High Output Til Midrange Voice
- Protective Grill Included

**650**  
**WATTS**



SPECS	WDX69MOTO-CD
Structure	6x9" (15.2x22.8cm) Loudspeaker
Max power	650 Watts
Nominal Power	325 Watts
Impedance	4Ω
Sensitivity	101.3dB
Frequency Response	75Hz - 18KHz
Master Carton	2

## DIMENSIONS



Images displayed are for illustration purposes only and may differ from actual photos

# WDX G2

## MOTO SERIES

### WDX46MOTO-G2

#### FEATURES:

- Weather Resistant Speaker
- High Efficiency Loudspeaker
- Ultra Light Weight Treated Cone
- High Reaction Ribbed Treated Surround
- High Temperature Voice Coil
- 1.25" (28mm) Aluminum Dome Component Grade Tweeter with Rear Resonance Chamber
- Radial Voice Coil Venting
- Low Profile Tweeter
- Protective Grills Included



**150 WATTS**



### WDX8MOTO-G2

### WDX6MOTO-G2



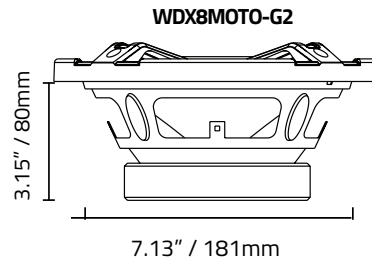
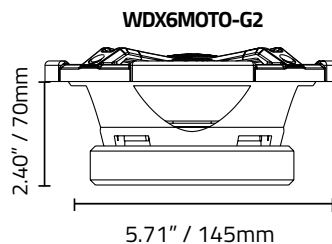
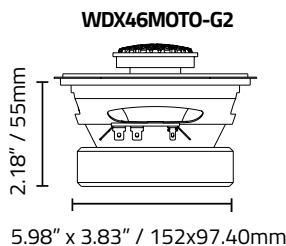
**400 WATTS**



**550 WATTS**

SPECS	WDX46MOTO-G2	WDX6MOTO-G2	WDX8MOTO-G2
Structure	4x6" (102 x 155mm) Loudspeaker	6.5" (165mm) Loudspeaker	8" (203mm) Loudspeaker
Max power	150 Watts	400 Watts	550 Watts
Nominal Power	55 Watts	175 Watts	275 Watts
Impedance	4Ω	4Ω	4Ω
Sensitivity	89.6dB	103.5dB	103.5dB
Frequency Response	82Hz - 21KHz	80Hz - 21KHz	75Hz - 21KHz
Master Carton	8	4	2

#### DIMENSIONS





# WDX™

## WDX8MOTO

### MOTO SERIES

#### FEATURES

- High efficiency loudspeaker
- Ultra light weight treated cone
- High reaction ribbed treated surround
- 1" (25mm) high temperature voice coil
- Steel Stamped Basket
- 1.25" (28mm) aluminum dome tweeter with resonance chamber



## WDX6MOTO



## WDX69MOTO



MESH GRILL INCLUDED



SPECS	WDX6MOTO	WDX8MOTO	WDX69MOTO
Structure	6.5" (16.5cm) Speaker	8" (20.3cm) Speaker	6x9"(15.2cm x 22.8cm) Speaker
Max power	350 Watts	500 Watts	500 Watts
Nominal Power	150 Watts	250 Watts	250 Watts
Frequency Response	80Hz - 21KHz	75Hz - 21KHz	70Hz - 21KHz
Master Carton	4	2	2

#### DIMENSIONS

Dimensions	Mounting Depth	Cutout Diameter
WDX6MOTO	2.56" / 65mm	5.63" / 144mm
WDX8MOTO	2.9" / 75mm	7.12" / 181mm
WDX69MOTO	2.81" / 75mm	6.02" x 8.77" / 153mm x 223mm

# WDX™

## MOTO

### SERIES



#### FEATURES:

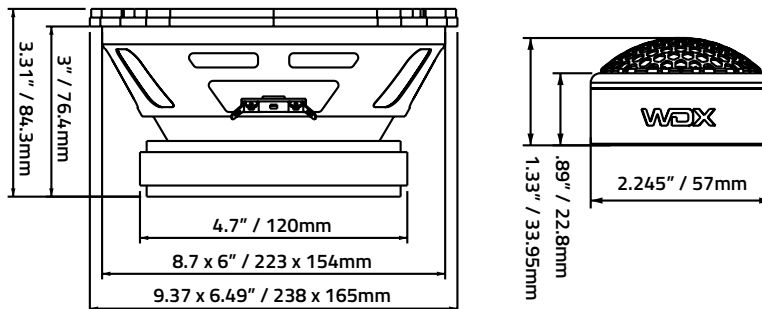
- High efficiency component system
- 6 x 9" Component loudspeakers
- Ultra light weight treated cone
- High reaction ribbed treated cloth surround
- 1.5" High temperature voice coil
- Stamped steel basket
- Radial voice coil bending
- Protective grill included
- Multi-mount tweeter flange
- 12dB Passive crossover network
- 1.25" Aluminum dome tweeter with resonance chamber

## WDX69C-G2

### High Efficiency Component System

SPECS	WDX69C-G2
Structure	6x9" Component
Max power	600 Watts
Nominal Power	300 Watts
Impedance	4Ω
Sensitivity	103.7dB
Frequency Response	75Hz - 21KHz
Master Carton	2

#### DIMENSIONS



# WDX™

## MOTO SERIES



# WDX65C

## Component System



### FEATURES:

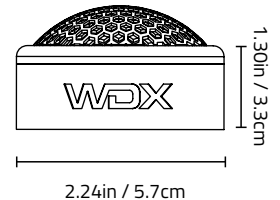
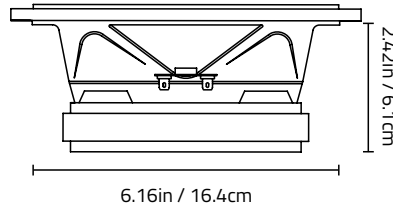
- High Efficiency Component System
- 6.5" (16.5cm) Component Loudspeakers
- Ultra Light Weight Paper Cone
- High Reaction Ribbed Surround
- 1" (25mm) High Temperature Voice Coil
- Die-Cast Aluminum Anti Resonance Basket
- 1.25" (28mm) Aluminum Dome Tweeter with Resonance Chamber
- Multi-Mount Tweeter Flange
- 12dB Passive Crossover Network
- Protective Grills Included



**500 WATTS**

SECS	WDX65C
Structure	6.5" (16.5cm) Component
Max power	500 Watts
Nominal Power	250 Watts
Impedance	4Ω
Sensitivity	103.5dB
Frequency Response	80Hz - 21KHz
Master Carton	2

### DIMENSIONS



# WDX1TW-MOTO

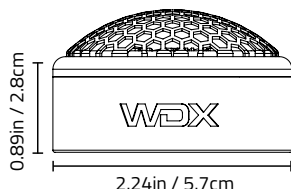
## High Efficiency Component Tweeters



**225 WATTS**

FEATURES	WDX1TW-MOTO
Structure	1.25" (2.8cm) Component Tweeters
Max power	225 Watts
Nominal Power	150 Watts
Impedance	4Ω
Sensitivity	101.4dB
Frequency Response	4KHz - 22.5KHz
Master Carton	30

### DIMENSIONS



### FEATURES:

- 1.25" (28mm) High Efficiency Component Tweeters
- Silk Surround with Aluminum Dome
- Neo Magnet with Rear Resonance Chamber
- Surface and Flush mount application Hardware included
- 6db Passive Crossover Included
- Designed for High Output
- 1 Pair

Images displayed are for illustration purposes only and may differ from actual photos

# WDX™

## JEEP

### LOUDSPEAKERS

# WDX65CP-JP

## 6.5" Component Loudspeakers



#### FEATURES

- 6.5" Component Speakers
- High-Efficiency 2-way Loudspeaker
- Ultra-Light Weight Paper Cone
- High Reaction Cloth Ribbed Surround
- 1.5" High-Temperature Voice Coil
- Stamped Steel Basket
- Plug & Play Harness Included

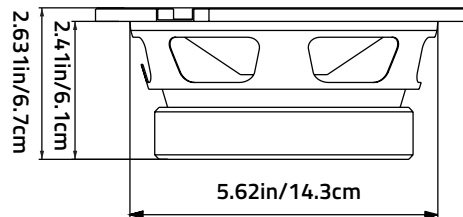
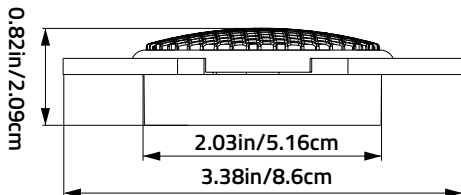
**500**  
**WATTS**



SPECS	WDX65C-JP
Structure	6.5" (16.5cm) Component
Max power	500 Watts
Nominal Power	250 Watts
Impedance	4Ω
Sensitivity	93.9dB
Frequency Response	80Hz - 21KHz
Master Carton	4



#### DIMENSIONS



# WDX1TW-JP

## 1.25" Component Tweeters

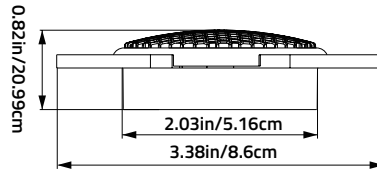


### FEATURES

- 1.25" Aluminum Dome
- Neodymium Magnet
- High Sensitivity
- Rear resonance chamber
- Passive crossover included
- Plug and Play Harness



**500**  
WATTS



SPECS	WDX1TW-JP
Structure	1.25" Component Tweeters
Max power	225 Watts
Nominal Power	150 Watts
Impedance	4Ω
Sensitivity	101.4dB
Frequency Response	4KHz - 22.5KHz
Master Carton	4



# WDX65-JP

## 6.5" 2-Way Loudspeakers

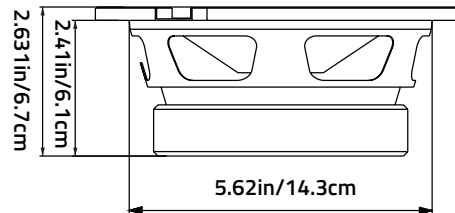
SPECS	WDX65-JP
Structure	6.5" (16.5cm) Loudspeaker
Max power	350 Watts
Nominal Power	150 Watts
Impedance	4Ω
Sensitivity	95.8dB
Frequency Response	80Hz - 21KHz
Master Carton	4

**350**  
WATTS



### FEATURES

- 6.5" 2-Way Loudspeaker
- High-Efficiency 2-way Loudspeaker
- Ultra-Light Weight Paper Cone
- High Reaction Cloth Ribbed Surround
- 1.5" High-Temperature Voice Coil
- Stamped Steel Basket
- Plug & Play Harness Included



OEM Compatible between 2007 to 2018 vehicles, will fit some 2019 - 2021 with minor modification. Check with your Car Audio installation professional for exact fit specifications.

# WDX™

## JEEP

### LOUDSPEAKERS

**NEW**

## WDX4MR-JP

### 4" Component Midrange

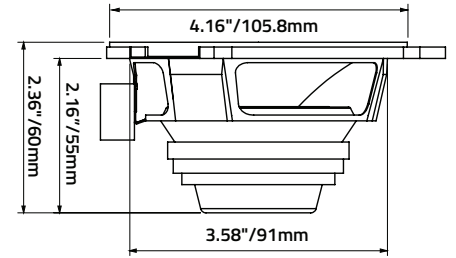
**300**  
WATTS

#### FEATURES

- IP51 Treated Cone with cloth surround
- 1" KSV Voice Coil
- Neodymium Magnet
- Stamped Steel Basket
- OEM Fit Design
- Plug & Play Harness



SPECS	WDX4MR-JP
Structure	4" (10.16cm) Midrange
Max power	300 Watts
Nominal Power	175 Watts
Impedance	4Ω
Sensitivity	89.7dB
Frequency Response	100Hz - 11KHz
Master Carton	10



## WDX4-JP

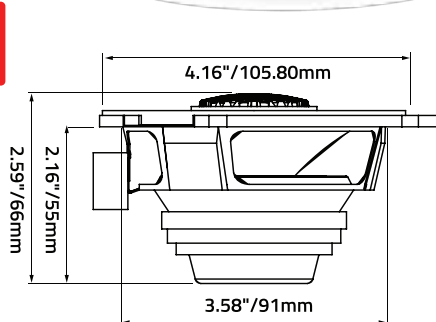
### 4" 2-Way Loudspeakers

**325**  
WATTS

**NEW**

#### FEATURES

- 20mm Aluminum Dome
- IP51 Treated Cone with cloth surround
- 1" KSV Voice Coil
- Neodymium Magnet
- Stamped Steel Basket
- OEM Fit Design
- Plug & Play Harness



SPECS	WDX4-JP
Structure	4" (10.16cm) Midrange
Max power	325 Watts
Nominal Power	200 Watts
Impedance	4Ω
Sensitivity	94.3dB
Frequency Response	100Hz - 19KHz
Master Carton	10





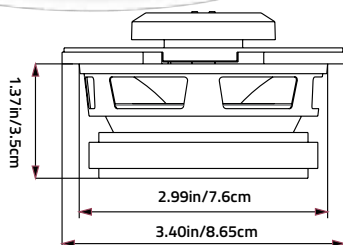
**120**  
**WATTS**

**WDX35-JP**  
3.5" 2-Way Loudspeakers

SPECS	WDX35-JP
Structure	3.5" (2.54cm) Loudspeaker
Max power	120 Watts
Nominal Power	35 Watts
Impedance	4Ω
Sensitivity	85.6dB
Frequency Response	120Hz - 20KHz
Master Carton	20

**FEATURES**

- 3.5" 2-Way Loudspeaker
- High Efficiency 2-Way Loudspeaker
- Ultra-Light Weight Paper Cone
- High Reaction Cloth Surround
- .75" High-Temperature Voice Coil
- Stamped Steel Basket
- Plug & Play Harness Included



**WDX35MR-JP**  
3.5" Midrange Loudspeakers

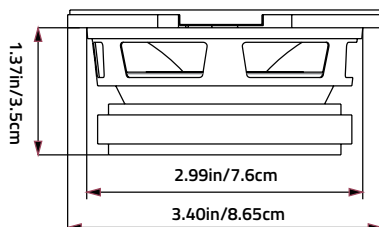
**110**  
**WATTS**



SPECS	WDX35MR-JP
Structure	3.5" (8.89cm) Midrange
Max power	110 Watts
Nominal Power	30 Watts
Impedance	4Ω
Sensitivity	88.8dB
Frequency Response	120Hz - 20KHz
Master Carton	20

**FEATURES**

- 3.5" 2-Way Loudspeaker
- High Efficiency 2-Way Loudspeaker
- Ultra-Light Weight Paper Cone
- High Reaction Cloth Surround
- .75" High-Temperature Voice Coil
- Stamped Steel Basket
- Plug & Play Harness Included



# platinumseries

LOUDSPEAKERS

## PTS65C

6.5" (165.1MM) Component

**MESH  
GRILL  
INCLUDED**

**POLY-GRAPHITE  
BASKET**

**325  
WATTS**

SPECS	PTS65C
Structure	6.5" (16.5cm) Component
Max power	325 Watts
Nominal Power	110 Watts
Impedance	2Ω
Sensitivity	93dB
Frequency Response	40Hz - 22KHz
Master Carton	4

### SPEAKER:

- Rubber Surround
- Carbon Graphite Injection PP Cone
- 1.20"(30.48mm) Voice Coil
- Ferrite Oxide Magnet

### TWEETER:

- 0.75" (19mm) Silk Dome Tweeter
- Neodymium Magnet

**SQL  
PERFORMANCE**



+ 3dB  
Musical  
Advantage

**12dB  
CROSSOVER**





# platinumseries

LOUDSPEAKERS

**POLY-GRAPHITE  
BASKET**

**FEATURES:**

- Neodymium Magnet
- Rubber Surround
- Carbon Graphite Injection PP Cone
- 1" (25mm) Voice Coil
- Ferrite Oxide Magnet



**PTS69 3-Way Speaker**



**PTS57 2-Way Speaker**



**PTS46 2-Way Speaker**



**PTS65 2-Way Speaker**

SPECS	PTS46	PTS57	PTS65	PTS69
Structure	4x6" (10.1cm x 15.2cm) Speaker	5x7" (12.7cm x 17.7cm) Speaker	6.5" (16.5cm) Speaker	6x9" (15.2cm x 22.8cm) Speaker
Max power	180 Watts	300 Watts	300 Watts	350 Watts
Nominal Power	65 Watts	100 Watts	100 Watts	125 Watts
Impedance	2Ω	2Ω	2Ω	2Ω
Frequency Response	40Hz - 22KHz	40Hz - 22KHz	35Hz - 22KHz	35Hz - 23KHz
Master Carton	10	4	4	4

# speedseries

SPEAKERS



S6C Component System

## FEATURES

### SPEAKER:

- Injection Polypropylene Cone
  - Rubber Surround
- 1"(25mm) Voice Coil Diameter
  - Ferrite Oxide Magnet

### TWEETER:

- 1/2"(13mm) PEI Dome
  - Neodymium Magnet



S69P 4-Way Speaker



S1T Aluminum Tweeter



S3T Aluminum Tweeter



S65 2-Way Speaker



S3.5 2-Way Speaker





**S65P 2-Way Speaker**



**S4.0 2-Way Speaker**



**S57 2-Way Speaker**



**S46 2-Way Speaker**



**S5.25 2-Way Speaker**



**S69 4-Way Speaker**

SPECS	S1T	S3T	S3.5	S4.0	S46
Structure	1"(2.5cm) Tweeter	1.25"(2.8cm) Tweeter	3.5" (8.89cm) Speaker	4" (10.1cm) Speaker	4x6" (10.1cm x 15.2cm) Speaker
Max power	350 Watts	225 Watts	150 Watts	160 Watts	160 Watts
Nominal Power	75 Watts	150 Watts	40 Watts	55 Watts	55 Watts
Frequency Response	3.5KHz - 20KHz	4KHz - 22.5KHz	50Hz - 20KHz	45Hz - 20KHz	40Hz - 20KHz
Master Carton	24	50	12	10	12

SPECS	S5.25	S57	S65	S65P
Structure	5.25" (13.3cm) Speaker	5x7" (12..7cm x 17.7cm) Speaker	6.5" (16.5cm) Speaker	6.5" (16.5cm) Speaker
Max power	275 Watts	300 Watts	300 Watts	350 Watts
Nominal Power	55 Watts	65 Watts	65 Watts	75 Watts
Frequency Response	40Hz - 20KHz	30Hz - 20KHz	40Hz - 20KHz	40Hz - 20KHz
Master Carton	8	6	6	6

SPECS	S69	S69P
Structure	6x9" (15.2cm x 22.8cm) Speaker	6x9" (15.2cm x 22.8cm) Speaker
Max power	450 Watts	600 Watts
Nominal Power	125 Watts	250 Watts
Frequency Response	35Hz - 21KHz	35Hz - 21KHz
Master Carton	4	4

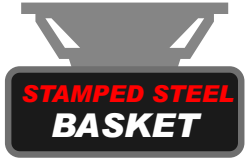


**MESH GRILL**

# S1 60v2

6.5" (16.5cm) DUAL CONE LOUDSPEAKERS

**130  
WATTS**



**FEATURES:**

- Features:
- Dual Paper Cone
- Stamped Steel Basket
- Ferric Oxide Magnet
- Cloth Surround
- Grill included

SPECS	S1 60v2
Structure	6.5" (16.5cm) Dual Cone Speaker
Max power	130 Watts
Nominal Power	40 Watts
Impedance	4Ω
Sensitivity	89dB
Frequency Response	70Hz - 18KHz
Master Carton	10



**FEATURES:**

- Heavy Gauge Steel Stamped Basket
- Aluminum Voice Coil
- Butyl Rubber Surround
- TSD Coated Pressed Paper Cone
- Custom Embossed Grill Included

**WEETER**

- 25mm. PEI Dome Tweeter

**CROSSOVER**

- 12dB per Octave Passive X-Over Network

# S1 65Cv2

6.5" (16.5cm) COMPONENT

FEATURES	S1 65Cv2
Structure	6.5" (16.5cm) Component
Max power	250 Watts
Nominal Power	65 Watts
Impedance	4Ω
Sensitivity	92dB
Frequency Response	40Hz - 20KHz
Master Carton	6



**250  
WATTS**



# BASS ENHANCERS

## FEATURES:

- 2 Channel Digital Bass Restoration
- Parametric Bass Equalization
- Variable Center Frequency Control
- Selectable PFM Subsonic Filter Switch
- Selectable Balanced/ Non-Balanced RCA inputs
- Selectable Ground Isolation Switch
- Internal Selectable Output Gain Limiter
- PWM Power Supply
- Illuminated Logo
- Dash Mount Remote Control Included

## SPECIFICATIONS:

- Maximum Input Level: 15V RMS
- Maximum Output Level: 13.5V Peak
- Frequency Response: 10Hz - 100kHz ; +/- 1dB
- Total Harmonic Distortion: 0.003%
- Signal To Noise Ratio: 130 dB
- Balanced Input Noise Rejection: > 60 db
- Input Impedance: 10K Ohms
- Output Impedance: 150 Ohms
- Power Supply: High Headroom PWM
- Power Draw: 150 mA
- Recommended Fuse Rating: 1 Amp

## WDX BE6 DIGITAL BASS ENHANCER

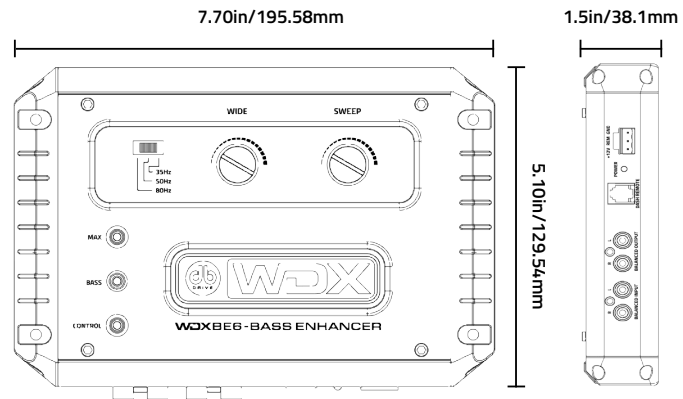


Remote Bass Control

Master Carton
20



## WDX BE6 MX



**FEATURES:**

- Remote Bass Control Included
- Front & Rear High-Pass Crossover - 18dB/Octave, Variable Frequency 35-400Hz, 20x Multiplier Option
- Sub Low-Pass Crossover
- Double Sided PCB Board
- Three Stereo Outputs - 5Vrms
- Output Level : 8 volts max
- Two Stereo Inputs with Parallel Input Option
- Frequency Response : 10Hz - 50KHz - 3dB
- THD : 0.0015%

### E7 3X 3-WAY ELECTRONIC CROSSOVER



**8VOLTS**  
OUTPUT



Remote Bass Control

**Master Carton**  
10

### E6 EQ7 7 BAND PARAMETRIC EQUALIZER



**FEATURES:**

- Active gain Equalizer with adjustable input sensitivity
- Master volume control with up to 7 Volts RMS of output
- Individual left and right sensitivity controls
- Seven band parametric equalizer with 12dB Boost
- Specific bandwidth for each band plus high frequency shelving
- On-board 30V bipolar switching power supply
- Subwoofer level control
- Subwoofer frequency adjustable
- Input CD select switch
- Night Illumination Design

**7VOLTS**  
OUTPUT

**Master Carton**  
10

### SPEQ7 7 BAND GRAPHIC EQUALIZER



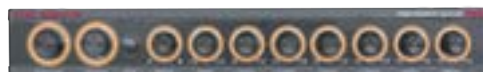
**FEATURES:**

- 7 Band graphic equalizer
- 8 Volt line driver
- Rear panel auxiliary 2 channel RCA inputs with adjustable input gain
- Rear panel Front/Rear/Subwoofer RCA outputs
- Variable volume level control
- Variable subwoofer level control
- Adjustable fader control
- Selectable 12dB Low-pass crossover (60Hz or 90Hz)
- Dual illumination (Amber / Blue)

**8VOLTS**  
OUTPUT

**Master Carton**  
10

**DUAL ILLUMINATION**



# EQUALIZERS

## E7 EQ7 7 BAND EQUALIZER



### FEATURES:

- 7-band parametric equalizer with built in subwoofer x-over
- Seven Parametric Equalization Bands (50Hz, 125Hz, 315Hz, 750Hz, 2.2kHz, 6kHz and 16kHz)
- Variable Subwoofer Output with Built-in 18dB per Octave selectable at 60Hz or 90Hz
- Three stereo RCA outputs: front, rear, and subwoofer
- Volume Gain with up to 8 Volts of Output
- Auxiliary stereo RCA input on rear as well as a MP3 input on the front panel
- Variable subwoofer output control
- Master volume
- RCA configuration
- Illuminated Controls



Master Carton  
20

## SPEQP 4 BAND PARAMETRIC EQUALIZER



### FEATURES:

- Four Bands of Adjustable Parametric Stereo Equalization
- Volume Gain with up to 8 Volts of Output
- Variable Subwoofer Output Control
- Main AUX Input Selector
- Left and Right AUX Input Sensitivity Controls
- Gold Plated RCA Input Connectors
- Auxiliary stereo RCA input on rear as well as a MP3 input on the front panel
- Master volume
- RCA configuration
- Illuminated Controls
- Balanced RCA Inputs



Master Carton  
20

## SPEQ 5 BAND EQUALIZER



### FEATURES:

- Five Bands of Stereo Equalization: 45Hz, 100Hz, 700Hz, 2kHz, & 15kHz
- Volume Gain with up to 8 Volts of Output
- Variable Subwoofer Output Control with Frequency Bandwidth Adjustment
- Main AUX Input Selector
- Left and Right AUX Input Sensitivity Controls
- Gold Plated RCA Input Connectors

Master Carton  
20

## SPEQ10BE 5 BAND PARAMETRIC EQUALIZER



### FEATURES:

- 5 Band Parametric Equalization
- (Sub-Low-Mid-Mid/High-High)
- Volume Gain with up to 8.5 Volts of Output
- Master Level Control
- Front and Rear Fader Control
- Subwoofer Output Level Control
- Adjustable Input Gains
- Battery Voltage Gauge
- Bass Enhancement Digital
- Processor with Level Control
- Aux RCA Rear Input
- 3.5mm Front Panel Aux Input
- Selectable 60Hz or 80Hz Low Pass Active Crossover
- Blue Illumination

Master Carton  
20

# NEO

## CAPACITORS



### NEO CAP5 5 FARAD DIGITAL CAPACITOR

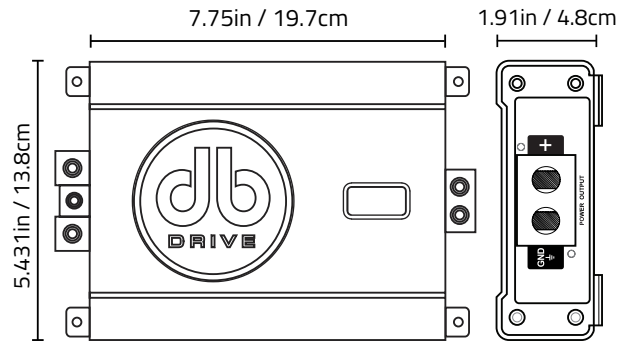
**COMPACT  
SIZE**

**FEATURES:**

- 12-24 Volts DC
- Low E.S.R.
- Digital DC Volt Meter
- 0/4 Gauge Power Wire Inputs
- 0/4 Gauge Power Wire Outputs
- Increased Dynamic Sound Range of your amplifiers
- Reduces DC Voltage Spikes on your Vehicles
- Compact Size

**Master Carton**

8



### NEO CAP10 10 FARAD DIGITAL CAPACITOR

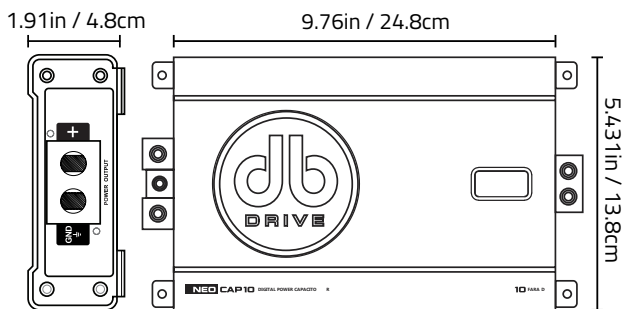
**COMPACT  
SIZE**

**FEATURES:**

- 12-24 Volts DC
- Low E.S.R.
- Digital DC Volt Meter
- 0/4 Gauge Power Wire Inputs
- 0/4 Gauge Power Wire Outputs
- Increased Dynamic Sound Range of your amplifiers
- Reduces DC Voltage Spikes on your Vehicles
- Compact Size

**Master Carton**

8





# PROAUDIO

TWEETERS

WDX 2NB

1" HIGH OUTPUT PRO AUDIO NEO TWEETER



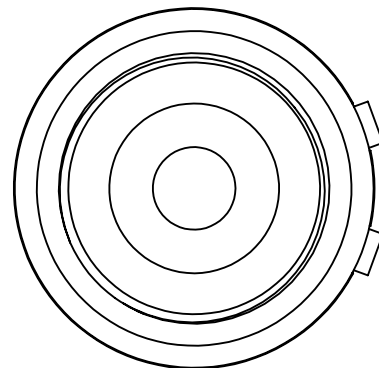
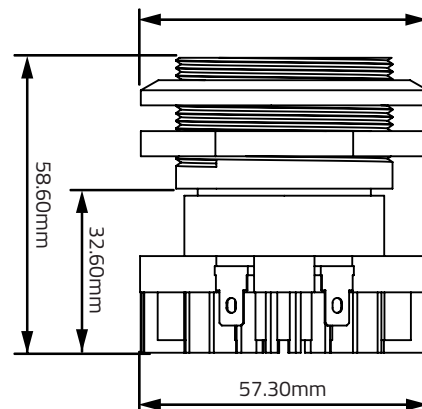
**300**  
WATTS

SPECS	WDX2NB
Voice Coil Size	1" (25.4 mm)
Max power	300 Watts
Nominal Power	150 Watts
Impedance	4Ω
Sensitivity	105 dB
Sold As	Pair
Master Carton	12

## FEATURES:

- 1" High Output Pro audio NEO Tweeter
- Diaphragm Material: PEI
- Neodymium Magnet
- Ultra Shallow Mounting Design
- Aluminum Die-Cast Waveguide Construction
- Designed for Extreme SPL Output

## DIMENSIONS



Images displayed are for illustration purposes only and may differ from actual photos

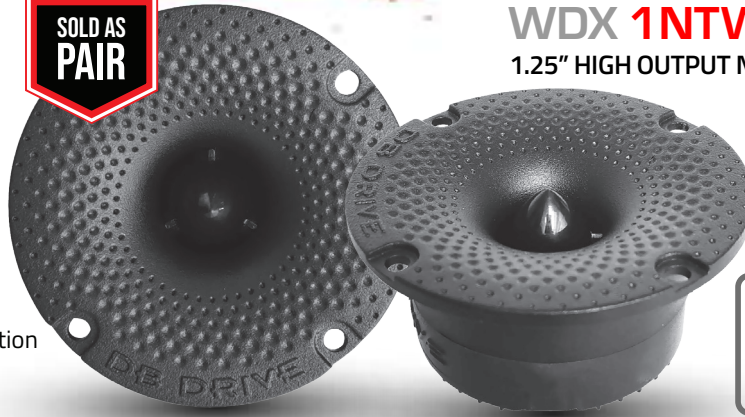
# PROAUDIO

## TWEETERS

### FEATURES:

- 1.25" (31.75mm) Voice Coil
- Diaphragm Material: Titanium
- Neodymium Magnet
- Fully Replaceable Tweeter Diaphragm
- Ultra Shallow Mounting design
- Aluminum Die-cast Waveguide Construction
- Includes 6dB Per Octave Crossover

**SOLD AS PAIR**

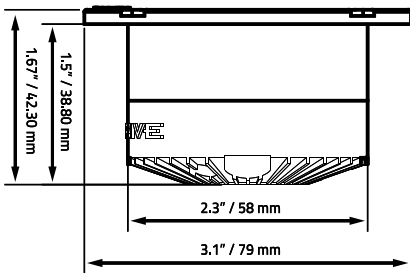


**WDX 1NTW**  
1.25" HIGH OUTPUT NEO TWEETER

**MINI TWEETER**

**ULTRA SHALLOW MOUNT DESIGN**

### DIMENSIONS



**300 WATTS**

**4 Ohms**



SPECS	WDX1NTW
Voice Coil Size	1.25" (31.75 mm)
Max power	300 Watts
Nominal Power	125 Watts
Impedance	4Ω
Sensitivity	104 dB
Sold As	Pair
Master Carton	12
<b>WDX1NTW RC</b>	<b>RECONE FOR WDX1NTW</b>

## WDX 1.5NTW

### 1.5" HIGH OUTPUT NEO TWEETER

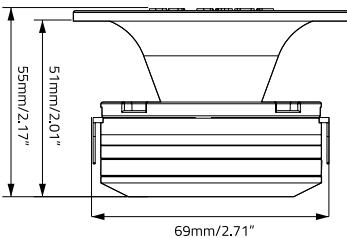
### FEATURES:

- 1.5" (38.1mm) Voice Coil
- Phenolic Diaphragm
- Neodymium Magnet
- High Sensitivity
- Fully Replaceable Tweeter Diaphragm
- Aluminum Die-Cast Waveguide Construction
- Designed for Wide Dispersion Applications

**SOLD AS SINGLE**



### DIMENSIONS



**350 WATTS**

**8 Ohms**



SPECS	WDX1.5NTW
Voice Coil Size	1.5" (38 mm)
Max power	350 Watts
Nominal Power	125 Watts
Impedance	8Ω
Sensitivity	106 dB
Sold As	Single
Master Carton	24
<b>WDX1.5NTW RC</b>	<b>RECONE FOR WDX1.5NTW</b>



# Elite PROAUDIO TWEETERS

**SOLD AS  
PAIR**

## P7TW 3D 1.5" PRO AUDIO TWEETER

### 350 WATTS

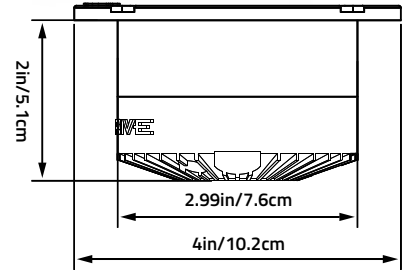


SPECS	P7TW 3D
Voice Coil Size	1.5" (38mm)
Max power	350 Watts
Nominal Power	170 Watts
Impedance	4Ω
Sensitivity	103dB
Sold As	Pair
Master Carton	12

**PQ7RC** REPLACEMENT DIAPHRAM

#### FEATURES:

- High Efficiency Titanium diaphragm
- Integrated 6db Passive High Pass Crossover
- Fully Replaceable Tweeter Diaphragm
- Dispersion Ready Mesh Protective Grill
- Direct Connect Speaker Terminals
- Die-cast Aluminum Construction
- Shallow 2" (50mm) Mounting Depth
- 1 Pair



**INTEGRATED  
HIGH PASS  
CROSSOVER**      **TITANIUM  
DIAPHRAM**

## P9TW 3D 1.5" PRO AUDIO TWEETER

**SOLD AS  
PAIR**

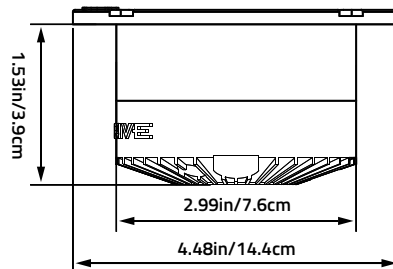
#### FEATURES:

- High Efficiency Titanium diaphragm
- Integrated 6db Passive High Pass Crossover
- Fully Replaceable Tweeter Diaphragm
- Dispersion Ready Mesh Protective Grill
- Direct Connect Speaker Terminals
- Die-cast Aluminum Construction
- Shallow 2" (50mm) Mounting Depth
- 1 Pair



SPECS	P9TW 3D
Voice Coil Size	1.5" (38mm)
Max power	375 Watts
Nominal Power	175 Watts
Impedance	4Ω
Sensitivity	104dB
Magnet Size	6 oz.
Sold As	Pair
Master Carton	12

**PQ9RC** REPLACEMENT DIAPHRAM



### 375 WATTS

**INTEGRATED  
HIGH PASS  
CROSSOVER**      **TITANIUM  
DIAPHRAM**

*Elite*  
**PROAUDIO**  
TWEETERS

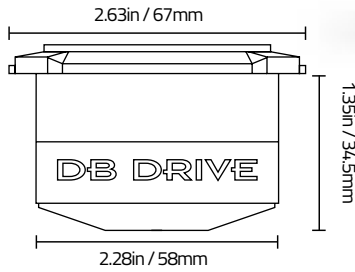
**P7TW 3M**  
1.75" PRO AUDIO TWEETER

**300**  
**WATTS**



**SOLD AS  
PAIR**

**DIMENSIONS**



**ULTRA  
SHALLOW**  
MOUNT DESIGN

**MINI  
TWEETER**

SPECS	P7TW 3M
Voice Coil Size	1.75" (44.45mm)
Max power	300 Watts
Nominal Power	125 Watts
Impedance	4Ω
Sensitivity	105dB
Magnet Size	6 oz.
Sold As	Pair
Master Carton	12
<b>P7TW3MRC</b>	<b>REPLACEMENT DIAPHRAM</b>

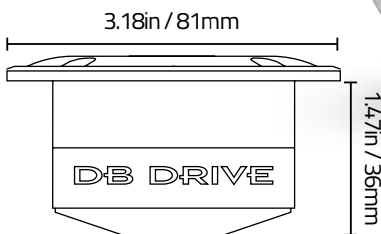
**P9TW 3M**  
1.75" PRO AUDIO TWEETER

**320**  
**WATTS**



**SOLD AS  
PAIR**

**DIMENSIONS**



Dispersion Ready  
Mesh Protective Grill

**ULTRA  
SHALLOW**  
MOUNT DESIGN

**MINI  
TWEETER**

SPECS	P9TW 3M
Voice Coil Size	1.75" (44.45mm)
Max power	320 Watts
Nominal Power	130 Watts
Impedance	4Ω
Sensitivity	105dB
Magnet Size	6 oz.
Sold As	Pair
Master Carton	12



*Elite*  
**PROAUDIO**  
 TWEETERS

**SOLD AS  
 SINGLE**



P5TW 1D

**300  
 WATTS**

**SOLD AS  
 PAIR**



**300** P5TW 3D  
**WATTS**

**SOLD AS  
 SINGLE**



P5TW 4D

**300  
 WATTS**

DB Drive ProAudio tweeters are extremely efficient high frequency loud speakers. They are highly recommended in audio systems designed for vehicle street parties. Pro Audio tweeters offer controlled high frequency dispersion which is ideal for high volume output. If you like it loud, go Pro Audio.

SPECS	P5TW 1D	P5TW 3D	P5TW 4D
Voice Coil Size	1" (25mm) Voice Coil	1" (25mm) Voice Coil	1.75" (44mm) Voice Coil
Max power	300 Watts	300 Watts	300 Watts
Nominal Power	150 Watts	150 Watts	170 Watts
Sensitivity	101 dB	101 dB	103 dB
Impedance	4Ω	4Ω	4Ω
Magnet Size	8 oz.	5.4 oz.	11.6 oz.
Sold As	Single	Pair	Single
Master Carton	18	12	8
REPLACEMENT DIAPHRAM	PQ1RC		PQ4RC

# Elite PROAUDIO TWEETERS

ALUMINUM  
DIAPHRAGM



SOLD AS  
SINGLE

SOLD AS  
PAIR

P5TW 5D **300**  
WATTS



P5TW 7D **350**  
WATTS

SOLD AS  
PAIR



P5TW 8D **300**  
WATTS

	REPLACEMENT DIAPHRAM
PQ1RC	P5TW 1D Replacement Diaphragm
PQ3RC	P5TW 3D/P5TW 7D/P5TW 8D Replacement Diaphragm
PQ4RC	P5TW 1D Replacement Diaphragm
PQ5RC	P5TW 1D Replacement Diaphragm

DB Drive ProAudio tweeters are extremely efficient high frequency loud speakers. They are highly recommended in audio systems designed for vehicle street parties. Pro Audio tweeters offer controlled high frequency dispersion which is ideal for high volume output. If you like it loud, go Pro Audio.

SPECS	P5TW 5D	P5TW 7D	P5TW 8D
Voice Coil Size	1.75" (44mm) Voice Coil	1" (25mm) Voice Coil	1" (25mm) Voice Coil
Max power	300 Watts	350 Watts	300 Watts
Nominal Power	100 Watts	150 Watts	150 Watts
Sensitivity	101 dB	101 dB	101 dB
Impedance	4Ω	4Ω	4Ω
Magnet Size	11.6 oz.	5.4 oz.	5.4 oz.
Sold As	Single	Pair	Pair
Master Carton	24	12	12



# PROAUDIO

TWEETERS

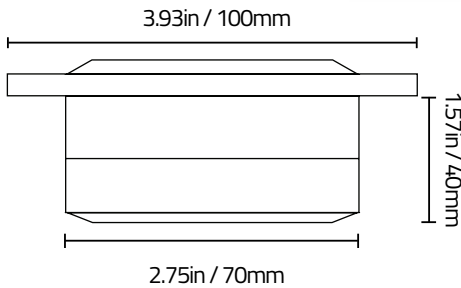
P5TW 8D-ST

**SUPER  
TWEETER**

**FEATURES:**

- Aluminum Diaphragm Material
- 1" Voice Coil Diameter
- Integrated 6dB Crossover
- 5.4oz Magnet

**DIMENSIONS**



**SOLD AS  
PAIR**



**350  
WATTS**



SPECS	P5TW8D-ST
Voice Coil Size	1" (25mm) Voice Coil
Max power	350 Watts
Nominal Power	150 Watts
Impedance	4Ω
Sensitivity	103.3dB
Frequency Response	1.8KHz - 20KHz
Sold As	Pair
Master Carton	12

# PROAUDIO

HORN & COMPRESSION DRIVERS

**DIMENSIONS**



P7CDT 1.0

**200  
WATTS**

**PLASTIC  
HORN**

**SOLD AS  
PAIR**

**FEATURES:**

- Bi-radial Horn Tweeter Design
- Extended Frequency Response
  - High Efficiency
- Wide Dispersion Horn Lens

SPECS	P7CDT1.0
Structure	Pro Audio Horn & Driver
Max power	200 Watts
Nominal Power	100 Watts
Impedance	8Ω
Sensitivity	108dB
Magnet Size	10 oz.
Master Carton	6
<b>P7CDT1.0RC REPLACEMENT DIAPHRAM</b>	

Images displayed are for illustration purposes only and may differ from actual photos

# PROAUDIO

HORN & COMPRESSION DRIVERS



PBRH3

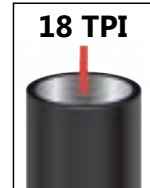


PBRH5



PBRH6

## PLASTIC HORN



### FEATURES:

- Bi-radial Proprietary Horn Design
- Rigid Plastic polymer Wide Dispersion
- Machined Metal Thread Inserts for maximum Strength and reliability
- 1 3/8"(35mm) - 18 TPI Universal fit
- 1 Piece per box

Dimensions	Width	Length	Height	Master Carton
PBRH6	6.1in / 155mm	6.1in / 155mm	5.9in / 149mm	12
PBRH5	5.98in / 152mm	5.98in / 152mm	2.75in / 70mm	18
PBRH3	3.66in / 93mm	3.66in / 93mm	2in / 51mm	40

# PROAUDIO

COMPRESSION DRIVERS



\* Image of Compression Driver with Horn

Horns Sold Separately



SPECS	P7CDT1.4	P7CDT1.75
Voice Coil Size	1.4" (35.5mm) Voice Coil	1.75" (44mm) Voice Coil
Max power	300 Watts	500 Watts
Nominal Power	125 Watts	150 Watts
Impedance	8Ω	8Ω
Sensitivity	102dB	104dB
Magnet Size	16.5 oz.	22 oz.
Master Carton	12	6
REPLACEMENT DIAPHRAM	P7CDT1.4RC	P7CDT1.75RC





# PROAUDIO

## FEATURES:

- 3" (75mm) Voice Coil
- 1.4" Exit Throat
- Titanium Diaphragm
- Phenolic Diaphragm ( P9TW3NPH )
- Radial Neodymium Magnet Assembly
- High Sensitivity
- Uses 2" 4 Bolt to secure to P9TWSH or P9TWSL Aluminum Waveguide (sold separately)
- Designed for wide dispersion high frequency applications



SPECS	P9TW2NCD	P9TW3NCD	P9TW3NPH
Voice Coil Size	3" (75mm) Voice Coil	3" (75mm) Voice Coil	3" (75mm) Voice Coil
Max power	250 Watts	350 Watts	350 Watts
Nominal Power	85 Watts	100 Watts	100 Watts
Impedance	8Ω	8Ω	8Ω
Sensitivity	112dB	110dB	110dB
Master Carton	4	4	4
<b>REPLACEMENT DIAPHRAM</b>	<b>P9TW2NCD RC</b>	<b>P9TW3NCD RC</b>	<b>P9TW3NPH RC</b>

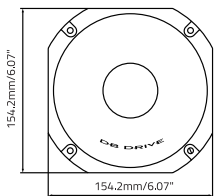
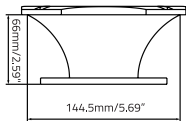
## Elite PROAUDIO

Cast Aluminum 45 x 45 | Conical Waveguide Horns

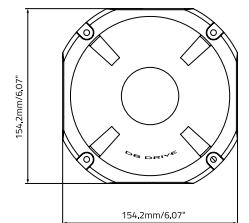
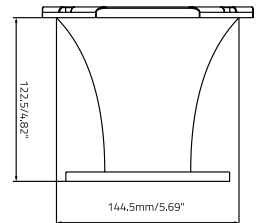
### FEATURES:

- 2" Cast Aluminum 45 x 45 Conical Waveguide Horn
- 4 Bolt Mounting
- Enhanced for Mid to High Frequency Reproduction

## P9TWSH SHORT



## P9TWLH LONG



SPECS	P9TWLH	P9TWSH
Throat Diameter	2" (50.8mm)	2" (50.8mm)
Frequency Capacity	600Hz	800Hz
Master Carton	12	12

Images displayed are for illustration purposes only and may differ from actual photos

# WDX PROAUDIO

9 SERIES MID-BASS



SPECIFICATIONS	WDX9MB10	WDX9MB10-8	WDX9MB12	WDX9MB12-8
Application	10" MID - BASS SPEAKER	10" MID - BASS SPEAKER	12" MID - BASS SPEAKER	12" MID - BASS SPEAKER
Nominal Basket Size	10.3" (262 mm)	10.3" (262 mm)	12.4" (315 mm)	12.4" (315 mm)
Mounting Depth	4.3" (109.5 mm)	4.3" (109.5 mm)	4.7" (119.5 mm)	4.7" (119.5 mm)
Nominal Impedence	4Ω	8Ω	4Ω	8Ω
RMS Watts	300 W	300 W	400 W	400 W
Music Program Watts	500 W	500 W	600 W	600 W
Voice Coil Diameter	2.5" / 63.5 mm	2.5" / 63.5 mm	2.5" / 63.5 mm	2.5" / 63.5 mm
Cone Material	Paper	Paper	Paper	Paper
Cone Edge	Cloth	Cloth	Cloth	Cloth
Basket Type	Die Cast	Die Cast	Die Cast	Die Cast
Sensitivity @ 1W/1M	106.1	106.1	106.1	106.1
Resonant Frequency (fs)	57.1 Hz	55.7 Hz	37.7 Hz	38.8Hz
DC resistance (Re)	3.2 Ω	5.9 Ω	3.2 Ω	5.9 Ω
Mechanical Q (QMS)	13.06	6.57	8.89	4.48
Electromagnetic Q (QES)	0.39	0.47	0.28	0.35
Total Q (QTS)	0.38	0.43	0.27	0.32
Compliance Volume (Vas)	31.2 ltr	40.0 ltr	92.6 ltr	114.1 ltr
Mech Compliance of Suspension (CMS)	0.19 mm/N	0.24 mm/N	0.22 mm/N	0.28 mm/N
BL Product (BL)	11.1 N/A	12.3 N/A	14.6 N/A	15.8 N/A
Diaphragm Mass inc. Airload (Mms)	41.8 grams	34.4 grams	79.7 grams	60.9 grams
Recone kit part number	WDX9MB10-RC	WDX9MB10-8RC	WDX9MB12-RC	WDX9MB12-8RC

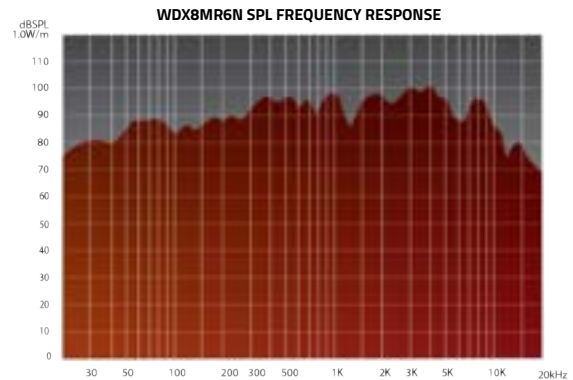
# WDX PROAUDIO

8 SERIES MID-RANGE



**500**  
WATTS

SPECIFICATIONS	WDX8MR6N
Application	6.5" MID - RANGE SPEAKER
Nominal Basket Size	6.5" (164.50 mm)
Mounting Depth	2.5" (64.10 mm)
Nominal Impedence	4Ω
RMS Watts	250 W
Music Program Watts	500 W
Voice Coil Diameter	2.5" / 63.5 mm
Cone Material	Paper
Cone Edge	Cloth
Basket Type	Die Cast
Sensitivity @ 1W/1M	92.2
Resonant Frequency (fs)	65.2 Hz
DC resistance (Re)	3.2
Mechanical Q (QMS)	7.43
Electromagnetic Q (QES)	0.38
Total Q (QTS)	0.37
Compliance Volume (Vas)	15.0 ltr
Mech Compliance of Suspension (CMS)	0.61 mm/N
BL Product (BL)	5.8 N/A
Diaphragm Mass inc. Airload (Mms)	9.8 grams
Recone kit part number	WDX8MR6N-RC



# WDX™

## 8 SERIES MID-BASS



**500**  
**WATTS**



SPECIFICATIONS	WDX8MB6	WDX8MB6-8	WDX8MB8	WDX8MB8-8
Application	6.5" MID - BASS	6.5" MID - BASS	8" MID - BASS	8" MID - BASS
Nominal Basket Size	6.59" (167.40 mm)	6.59" (167.40 mm)	8.2" (209 mm)	8.2" (209 mm)
Mounting Depth	2.57" (65.40 mm)	2.57" (65.40 mm)	3.18" (81 mm )	3.18" (81 mm )
Nominal Impedence	4Ω	8Ω	4Ω	8Ω
RMS Watts	250 W	250 W	300 W	300 W
Music Program Watts	400W	400W	500W	500W
Voice Coil Diameter	1.5" / 38.1 mm	1.5" / 38.1 mm	1.5" / 38.1 mm	1.5" / 38.1 mm
Cone Material	Paper	Paper	Paper	Paper
Cone Edge	Cloth	Cloth	Cloth	Cloth
Basket Type	Stamped Steel	Stamped Steel	Stamped Steel	Stamped Steel
Sensitivity @ 1W/1M	99.2	99.2	99.7	99.7
Resonant Frequency (fs)	99.3 Hz	92.7 Hz	70.2 Hz	71.8 Hz
DC resistance (Re)	3.2 Ω	5.8 Ω	3.2 Ω	5.8 Ω
Mechanical Q (QMS)	10	4.98	10.54	5.14
Electromagnetic Q (QES)	0.54	0.54	0.36	0.41
Total Q (QTS)	0.51	0.49	0.35	0.38
Compliance Volume (Vas)	3.9 ltr	5.1 ltr	14.7 ltr	16.6 ltr
Mech Compliance of Suspension (CMS)	0.15 mm/N	0.19 mm/N	0.20 mm/N	0.23mm/N
BL Product (BL)	8.0 N/A	9.7 N/A	9.9 N/A	11.6 N/A
Diaphragm Mass inc. Airload (Mms)	17.2 grams	15.3 grams	25.2 grams	21.3 grams
Recone kit part number	WDX8MB6-RC	WDX8MB6-8RC	WDX8MB8-RC	WDX8MB8-8RC

# WDX™

## 7 SERIES MID-RANGE



**300 WATTS**



FEATURES	WDX7MR6	WDX7MR6-8	WDX7MR8	WDX7MR8-8	WDX7MR10	WDX7MR10-8
Application	6.5" MID - RANGE	6.5" MID - RANGE	8" MID - RANGE	8" MID - RANGE	10" MID - RANGE	10" MID - RANGE
Nominal Basket Size	6.59" (167.4 mm)	6.59" (167.4 mm)	8.22" (209 mm)	8.22" (209 mm)	10" (256 mm)	10" (256 mm)
Mounting Depth	2.27" (57.8 mm)	2.27" (57.8 mm)	3.05" (77.60 mm)	3.05" (77.60 mm)	3.8" (97 mm)	3.8" (97 mm)
Nominal Impedence	4Ω	8Ω	4Ω	8Ω	4Ω	8Ω
RMS Watts	200 W	200 W	250 W	250 W	300 W	300 W
Music Program Watts	325 W	325 W	375 W	375 W	400 W	400 W
Voice Coil Diameter	1.5" / 38.1 mm	1.5" / 38.1 mm	1.5" / 38.1 mm	1.5" / 38.1 mm	2" / 50.8 mm	2" / 50.8 mm
Cone Material	Paper	Paper	Paper	Paper	Paper	Paper
Cone Edge	Cloth	Cloth	Cloth	Cloth	Cloth	Cloth
Basket Type	Stamped Steel	Stamped Steel	Stamped Steel	Stamped Steel	Stamped Steel	Stamped Steel
Sensitivity @ 1W/1M	97.2	90.8	98.2	98.2	101.3	101.3
Resonant Frequency (fs)	78.3 Hz	90.8 Hz	68.6Hz	71.1Hz	63.1 Hz	52.9 Hz
DC resistance (Re)	3.2 Ω	5.8 Ω	3.2 Ω	5.8 Ω	3.2 Ω	5.8Ω
Mechanical Q (QMS)	8.85	4.96	10.15	5.48	12.67	2.02
Electromagnetic Q (QES)	0.76	0.78	0.57	0.59	0.56	0.39
Total Q (QTS)	0.70	0.67	0.54	0.53	0.54	0.33
Compliance Volume (Vas)	8.4 ltr	8.4 ltr	18.2 ltr	19.2 ltr	31.8 ltr	39.7 ltr
Mech Compliance of Suspension (CMS)	0.32 mm/N	0.32 mm/N	0.24 mm/N	0.25 mm/N	0.17 mm/N	0.22 mm/N
BL Product (BL)	5.2 N/A	6.4 N/A	7.4 N/A	9.3 N/A	9.1 N/A	14.4 N/A
Diaphragm Mass inc. Airload (Mms)	12.9 grams	9.5 grams	22.4 grams	19.7 grams	36.9 grams	42.0 grams
Recone kit part number	WDX7MR6-RC	WDX7MR6-8RC	WDX7MR8-RC	WDX7MR8-8RC	WDX7MR10-RC	WDX7MR10-8RC

Images displayed are for illustration purposes only and may differ from actual photos

# Elite PROAUDIO

## P6M SERIES



- FEATURES:**
- Voice Coil CCAW
    - KSV Coil
  - Ferrite Magnet
  - Stamped Steel Basket
    - Paper Cone
    - Cloth Edge Cone



SPECIFICATIONS	P6M10 MB	P6M10MB-8	P6M12 MB	P6M12MB-8
Application	10" MID - BASS	10" MID - BASS	12" MID - BASS	12" MID - BASS
Nominal Basket Size	10.11" (267 mm)	10.11" (267 mm)	12.24" (311 mm)	12.24" (311 mm)
Mounting Depth	4.2" (107.00 mm)	4.2" (107.00 mm)	4.8" (122.00 mm)	4.8" (122.00 mm)
Nominal Impedence	4Ω	8Ω	4Ω	8Ω
RMS Watts	350W	350W	400 W	400 W
Music Program Watts	700W	700W	800 W	800 W
Voice Coil Diameter	2.5" / 63.5 mm	2.5" / 63.5 mm	2.5" / 63.5 mm	2.5" / 63.5 mm
Cone Material	Paper	Paper	Paper	Paper
Cone Edge	Cloth	Cloth	Cloth	Cloth
Basket Type	Stamped Steel	Stamped Steel	Stamped Steel	Stamped Steel
Sensitivity @ 1W/1M	94.6 dB	94.6 dB	94.8 dB	94.8 dB
Resonant Frequency (fs)	69.8 Hz	56 Hz	59.7 Hz	47.8 Hz
DC resistance (Re)	3.2 Ω	5.8 Ω	3.2 Ω	5.8 Ω
Mechanical Q (QMS)	7.57	10.27	8.23	10.61
Electromagnetic Q (QES)	0.47	0.41	0.57	0.50
Total Q (QTS)	0.44	0.39	0.53	0.48
Compliance Volume (Vas)	26.1 ltr	48.5 ltr	53.1 Ltr	122 Ltr
Mech Compliance of Suspension (CMS)	0.16 mm/N	0.29 mm/N	0.13 mm/N	0.31 mm/N
BL Product (BL)	10.0 N/A	11.8 N/A	10.6 N/A	11.2N/A
Diaphragm Mass inc. Airload (Mms)	33.5 grams	28 grams	52.7 grams	35.7 grams
Recone kit part number	P6M10MB RC	P6M10MB-8RC	P6M12MB RC	P6M12MB-8RC

# PROAUDIO

## P5M 6NEO / P5M 6NEO-8 6.5" NEO MID-RANGE



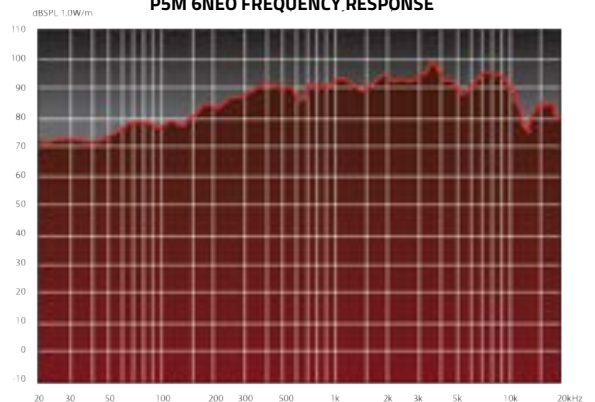
SPECS	P5M 6NEO	P5M 6NEO-8
Application	6.5" MID-RANGE	6.5" MID-RANGE
Nominal Basket Size	6.57" (167 mm)	6.57" (167 mm)
Mounting Depth	2.24" (57 mm )	2.24" (57 mm )
Nominal Impedence	4Ω	4Ω
RMS Watts	150 W	150 W
Music Program Watts	400 W	400 W
Voice Coil Diameter	1.5" / 38.1 mm	1.5" / 38.1 mm
Cone Material	Paper	Paper
Cone Edge	Cloth	Cloth
Basket Type	Stamped Steel	Stamped Steel
Sensitivity @ 1W/1M	95.6 dB	95.6 dB
Resonant Frequency (fs)	125.5 Hz	125.5 Hz
DC resistance (Re)	3.2 Ω	5.8 Ω
Mechanical Q (QMS)	7.02	7.02
Electromagnetic Q (QES)	0.38	0.38
Total Q (QTS)	036	036
Compliance Volume (Vas)	4.5 ltr	4.5 ltr
Mech Compliance of Suspension (CMS)	0.18 mm/N	0.18 mm/N
BL Product (BL)	7.8 N/A	7.8 N/A
Diaphragm Mass inc. Airlod (Mms)	9.1 Grams	9.1 Grams



### FEATURES:

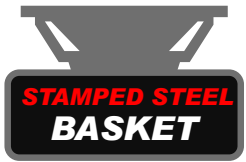
- Voice Coil Copper Wire
- Polyimide Coil
- Neodymium Magnet
- Stamped Steel Basket
- Paper Cone
- Cloth Edge Cone

P5M 6NEO FREQUENCY RESPONSE



# PROAUDIO

## P5M 8NEO / P5M 8NEO-8 8" NEO MID-RANGE



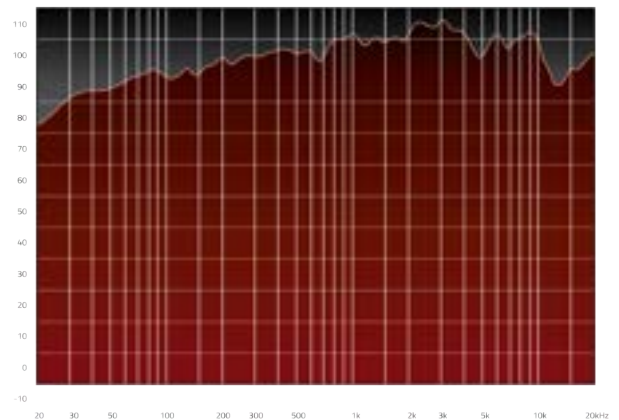
SPECS	P5M 8NEO	P5M 8NEO-8
Application	8" MID-RANGE	8" MID-RANGE
Nominal Basket Size	8.23" (209 mm)	8.23" (209 mm)
Mounting Depth	2.36" (60 mm)	2.36" (60 mm)
Nominal Impedance	4Ω	4Ω
RMS Watts	150 W	150 W
Music Program Watts	450 W	450 W
Voice Coil Diameter	1.5" / 38.1 mm	1.5" / 38.1 mm
Cone Material	Paper	Paper
Cone Edge	Cloth	Cloth
Basket Type	Stamped Steel	Stamped Steel
Sensitivity @ 1W/1M	101 dB	101 dB
Resonant Frequency (fs)	112.0 Hz	112.0 Hz
DC resistance (Re)	3.2 Ω	5.8 Ω
Mechanical Q (QMS)	9.29	9.29
Electromagnetic Q (QES)	0.56	0.56
Total Q (QTS)	0.53	0.53
Compliance Volume (Vas)	8.6 ltr	8.6 ltr
Mech Compliance of Suspension (CMS)	0.13 mm/N	0.13 mm/N
BL Product (BL)	7.8 N/A	7.8 N/A
Diaphragm Mass inc. Airload (Mms)	15.1 Grams	15.1 Grams



### FEATURES:

- Voice Coil Copper Wire
- Polyimide Coil
- Neodymium Magnet
- Stamped Steel Basket
- Paper Cone
- Cloth Edge Cone

P5M 8NEO FREQUENCY RESPONSE





# PROAUDIO

## P4M SERIES



SOLD AS SINGLE



### FEATURES:

- High Efficiency ProAudio Mid-Range
- Shallow Mount Application
- Cloth Edge Surround
- 1.5" (38mm) High Temperature Voice Coil
- Steel Stamped Basket
- Barium Ferrite Magnet



SPECS	P4M 6C	P4M 8C
Size	6.5" (16.5cm) Pro Mid	8" (20.3cm) Pro Mid
Max power	275 Watts	325 Watts
Nominal Power	150 Watts	200 Watts
Impedance	4Ω	4Ω
Sensitivity	92.2 dB	97.9 dB
Magnet	Barium Ferrite	Barium Ferrite
Sold As	Single	Single
Master Carton	6	6

# PROAUDIO



SOLD AS SINGLE

SHALLOW MOUNT DESIGN



SPECS	P3M 6C	P3M 8C
Size	6.5" (16.5cm) Pro Mid	8" (20.3cm) Pro Mid
Max power	225 Watts	275 Watts
Nominal Power	135 Watts	135 Watts
Impedance	8Ω	8Ω
Sensitivity	105 dB	106 dB
Magnet	Barium Ferrite	Barium Ferrite
Sold As	Single	Single
Master Carton	8	6



## P3M SERIES

### FEATURES:

- High Efficiency Pro Audio Mid-Range
  - Shallow Mount Application
  - Cloth Edge Surround
- 1.5" (38mm) High Temperature Voice Coil
  - Die Cast Aluminum Basket
  - Barium Ferrite Magnet

DIECAST DIECAST STAMPED STEEL

Images displayed are for illustration purposes only and may differ from actual photos

# Elite PROAUDIO

## P4MSB SERIES

**SOLD AS  
SINGLE**



### FEATURES:

- Sealed Back Loudspeaker
  - 4 ohms
  - 1.0" (25mm) Voice Coil
- High Efficiency Paper Cone
- Integrated protective grill

**SEALED  
BACK  
LOUDSPEAKER**



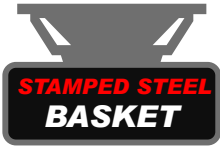
SPECS	P4M 4SB	P4M 6SB	P4M 8SB
Size	4" (10.1cm) Sealed Back Loudspeaker	6.5" (16.5cm) Sealed Back Loudspeaker	8" (20.3cm) Sealed Back Loudspeaker
Max power	250 Watts	275 Watts	325 Watts
Nominal Power	100 Watts	150 Watts	200 Watts
Impedance	4Ω	4Ω	4Ω
Sensitivity	95 dB	94 dB	94 dB
Magnet	Barium Ferrite	Barium Ferrite	Barium Ferrite
Sold As	Single	Single	Single
Master Carton	20	6	6



# Elite PROAUDIO

SOLD AS PAIR

MESH GRILL INCLUDED



## P2MB 6PR4

**FEATURES:**

- High Efficiency ProAudio Mid-Range
- Shallow Mount Application
- Tri - Ribbed Cloth Surround
- 1.5" (38mm) High Temperature Voice Coil
- Steel Stamped Basket
- Barium Ferrite Magnet



SPECS	P2MB 6PR4
Structure	6.5" (165mm) Pro Mid
Max power	225 Watts
Nominal Power	125 Watts
Impedance	4Ω
Sensitivity	99.4dB
Resonant Frequency	151Hz
Sold As	Pair
Master Carton	6

**225 WATTS**



# Elite PROAUDIO

MID-RANGE

SOLD AS PAIR

## P2MB 6PR8

**FEATURES:**

- High Efficiency ProAudio Mid-Range
  - Shallow Mount Application
  - Tri - Ribbed Cloth Surround
- 1.5" (38mm) High Temperature Voice Coil
  - Steel Stamped Basket
  - Barium Ferrite Magnet

MESH GRILL INCLUDED



SPECS	P2MB 6PR8
Structure	6.5" (165mm) Pro Mid
Max power	225 Watts
Nominal Power	125 Watts
Impedance	8Ω
Sensitivity	99.4dB
Resonant Frequency	151Hz
Sold As	Pair
Master Carton	6

**225 WATTS**



Images displayed are for illustration purposes only and may differ from actual photos

# PROAUDIO

COMPONENT



**500 WATTS**



## P7 6K

**FEATURES:**

- High Efficiency ProAudio Mid-Range
- Shallow Mount Application
- Cloth Edge Surround
- 1.5" (38mm) High Temperature Voice Coil
- Steel Stamped Basket
- 1" (25mm) Aluminum Pro Audio Tweeter
- 12dB per Octave Passive X-Over Network



**2 MIDS  
2 TWEETERS  
2 CROSSOVERS**



SPECS	P7 6K
Structure	6.5" (16.5cm) Pro Component
Max power	500 Watts
Nominal Power	200 Watts
Impedance	8Ω
Sensitivity	104dB
Magnet	Barium Ferrite
Sold As	Kit
Master Carton	2



# PROAUDIO

COMPONENT



**275  
WATTS**

**SHALLOW  
MOUNT DESIGN**

**SOLD AS  
KIT**



## P3 6K

### FEATURES:

- High Efficiency ProAudio Mid-Range
- Shallow Mount Application
- Cloth Edge Surround
- 1.5" (38mm) High Temperature Voice Coil
- Die Cast Aluminum Basket
- 1" (25mm) Aluminum Pro Audio Tweeter
- 12dB per Octave Passive X-Over Network



**MESH  
GRILL  
INCLUDED**



SPECS	P3 6K
Structure	6.5" (16.5cm) Pro Component
Max power	275 Watts
Nominal Power	175 Watts
Impedance	8Ω
Sensitivity	105dB
Magnet	Barium Ferrite
Sold As	Kit
Master Carton	2

# PROAUDIO

COMPONENT



**2 MIDS  
2 TWEETERS  
2 CROSSOVERS**



**300  
WATTS**



**SHALLOW  
MOUNT DESIGN**

**P3 8K**

**FEATURES:**

- High Efficiency ProAudio Mid-Range
- Shallow Mount Application
  - Cloth Edge Surround
- 1.5" (38mm) High Temperature Voice Coil
  - Die Cast Aluminum Basket
- 1" (25mm) Aluminum Pro Audio Tweeter
- 12dB per Octave Passive X-Over Network



SPECS	P3 8K
Structure	8" (20.3cm) Pro Component
Max power	300 Watts
Nominal Power	175 Watts
Impedance	8Ω
Sensitivity	106dB
Magnet	Barium Ferrite
Sold As	Kit
Master Carton	2





# P3 4M6K



**4 MIDS**  
2 TWEETERS  
2 CROSSOVERS

# Elite PROAUDIO COMPONENT

SHALLOW  
MOUNT DESIGN



**500  
WATTS**

### FEATURES:

- Ultra High Efficiency Pro Audio 6.5" Component
- Anti-Resonance Die Cast Aluminum Basket
- Shallow Mount Application
- Paper cone with Cloth Edge Accordion Surround
- Custom Embossed Protective Grill
- 1" (25mm) Aluminum Dome Pro Tweeter
- 12db Passive X-Over network



SPECS	P3 4M6K
Structure	6.5" (165mm) Pro Component
Max power	500 Watts
Nominal Power	250 Watts
Impedance	4Ω
Sensitivity	105dB
Frequency Response	+/-3dB 78Hz - 22KHz
Sold As	Kit
Master Carton	4



**MESH  
GRILL  
INCLUDED**

Images displayed are for illustration purposes only and may differ from actual photos

# PROAUDIO

COMPONENT



**SOLD AS  
KIT**

**4 MIDS  
2 TWEETERS**

**500  
WATTS**

**STAMPED STEEL  
BASKET**

## PRO 6K4M

### FEATURES:

- High Efficiency
- Paper Cone
- Bi- Ribbed Cloth Surround
- Frequency Response  
Range 155Hz – 18,000Hz
- 6 db High Pass Capacitors  
Included for Tweeters



SPECS	PRO 6K4M
Structure	6.5" (16.5cm) Dual Component
Max power	500 Watts
Nominal Power	225 Watts
Impedance	4Ω
Sensitivity	99.3dB
Magnet	Barium Ferrite
Sold As	Kit
Master Carton	2



**MESH  
GRILL  
INCLUDED**





# PROAUDIO

COMPONENT



**250**  
WATTS



**PRO 6K**

**FEATURES:**

- High Efficiency
- Paper Cone
- Bi- Ribbed Cloth Surround
- Frequency Response Range 155Hz – 18,000Hz
- 6 db High Pass Capacitors Included for Tweeters



SPECS	PRO 6K
Structure	6.5" (16.5cm) Dual Component
Max power	250 Watts
Nominal Power	150 Watts
Impedance	4Ω
Sensitivity	103.3dB
Magnet	Barium Ferrite
Sold As	Kit
Master Carton	2



# PROAUDIO

COMPONENT

## PRO 6K4MT

**SOLD AS  
KIT**

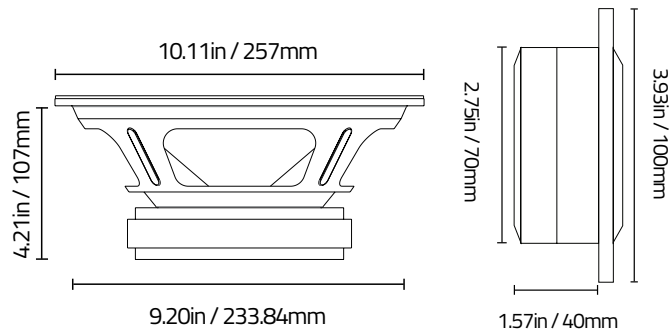
**4 MIDS  
4 TWEETERS**

**500  
WATTS**

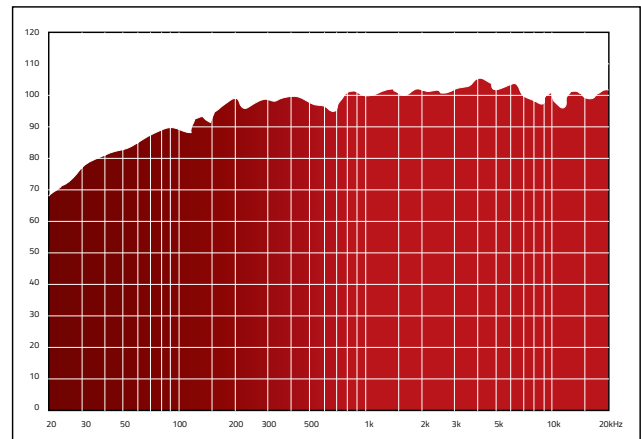
SPECS	PRO 6K4MT
Structure	6.5" (16.5cm) Dual Component
Max power	500 Watts
Nominal Power	225 Watts
Sensitivity	99.3dB
Frequency Response	155Hz - 18KHz
Impedance	4Ω
Resonant Frequency	151Hz
Master Carton	2

**FEATURES:**

















- High Efficiency
- Paper Cone
- Bi- Ribbed Cloth Surround
- Steel Stamped Basket
- Barium Ferrite Magnet
- 1" Aluminum Pro Audio Tweeters



**PRO 6K4MT FREQUENCY RESPONSE**



# ICON GLOSSARY

	C.H.M - The Chassis Heat Management circuit monitors the temperature of the amplifier and will protect it if it's overdriven past its normal operation temperature.		Factory Radio Compatible devices have been designed to be used on Factory OEM or aftermarket source units.
	The A.C.T circuit is a frequency filter network capable of adapting to any speaker system requirement		Low Profile design indicates the physical dimensions have been designed to be much thinner than a conventional like model.
	The S.E.S.I. circuit enables the user to monitor signal status of the amplifier to make sure that the output signal is not Clipped or distorted		Caution Excessive Sound level - Indicates the product is capable of producing sound levels that can damage your hearing
	A.P.C - The Audio Protection Circuit monitors the S.E.S.I circuit and protects the amplifier from damage if any faults are present in the signal or speaker outputs.		Weather Treated - The product has been designed to withstand being outdoors where it can be exposed to different types of weather.
	2 ohms capability means the amplifier is capable of running a minimum 2 ohm speaker load when wired in stereo		Tweeter Elliptical Waveguides have been designed for maximum dispersion.
	A 12dB Crossover filter reduces the frequencies below or above its setting a level, of 12db per octave		Compression Drivers are designed for maximum high-frequency output and distance.
	IPX6 - Rating is protected against any ingress of dust particles.		Indicates the product is protected from limited dust and from water spray less than 60 degrees from vertical.
	Conformal Coated PCB - Is a special polymeric film-forming coating that protects the circuit board, and components, from adverse environmental conditions.		Neodymium magnets are 6 times more than conventional magnets and are used when maximum speaker efficiency is required in small spaces.
	1 ohms capability means the amplifier is capable of running a minimum 1-ohm speaker load when wired in mono		A stamped Steel basket indicates the speaker basket material and manufacturing process.
	Conformal Coated PCB - Is a special polymeric film-forming coating that protects the circuit board, and components, from adverse environmental conditions.		Titanium Dome tweeters are designed for high output applications.
	Large Gauge Terminals are used on higher powered speakers for enhanced power delivery		A die-cast basket indicates the speaker basket material is aluminum and is made with a die casting manufacturing process.
	A shallow Design indicates the physical mounting dimensions have been designed to be much shallower than a conventional speaker or subwoofer.		Silk dome tweeters are designed for smoother high frequency responses
	Double Stitched foam surround - Is designed for maximum surround-to-cone contact reliability under extreme excursion		OEM Fit - These type of products are designed to fit a pre-designed original equipment location on a vehicle.
	A wedge design indicates the shape of the enclosure and is used to fit snugly against the rear seats to minimise the space needed.		High output products are designed for high performance application requirements
	T-Nut fasteners are specially designed for use when bolting onto wood for superior grip.		The Poly-Graphite basket is made of a mixture of light-weight polymers with graphite strengthening fibers.
	SQL performance products are designed for high output sound-quality applications.		



*DRIVE IT LOUDER!*

[www.DBDRIVE.net](http://www.DBDRIVE.net)



302 Hanmore Industrial Parkway/Harlingen, TX 78550

Toll Free: (877) 787-0101 Fax: (956) 421-4513

contact us at: [sales@dbdrive.net](mailto:sales@dbdrive.net)

Tech Support: [support@dbdrive.net](mailto:support@dbdrive.net)

Printed in China

**DCAT24A**