



QUANTUM  
AUDIO

TM



QUANTUM  
PRODUCT 

*Feel the Rush!*

# 2023-2024 PRODUCT GUIDE



QUANTUM  
AUDIO

TM

*Feel the Rush!*

# TABLE

Of Contents

QRX Amplifiers.....	4
QPX Amplifiers.....	6
QEA Amplifiers.....	8
Equalizers.....	10
QWX Series Subwoofers.....	11
QW5000 Series Subwoofers.....	13
QW3000 Series Subwoofers.....	14
QW1000 Series Subwoofers.....	15
QRS Series Loudspeakers.....	16
QS Series Loudspeakers.....	18
Tweeters.....	20
QSX Series 2-Way Loudspeakers.....	22
QPSM Series Pro Audio Midranges.....	24
QM65PRO4 Pro Audio Midranges.....	25
Amplifier Kits.....	26
Subwoofer Amplifier Compatibility Chart.....	27



*Feel the Rush!*





QUANTUM  
AUDIO

TM

*Feel the Rush!*

**QRX**  
SERIES

**NEW  
SERIES**

### 4 CHANNEL AMPLIFIER

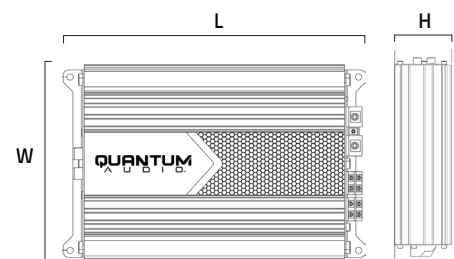
#### Features

- Dynamic Power 1200 Watts
- Full Range Class D Circuitry
  - 2Ω Load Stereo Capability
- Audiophile Grade Components
- Speaker Short Circuit Protection
  - High Efficiency Mosfet Design
- 12 dB Variable Low Pass X-over



AMPLIFIERS	INTERNAL CIRCUITRY	PEAK POWER	@ 4Ω STEREO	@ 2Ω STEREO	@ 4Ω BRIDGED	M CARTON
QRX1504	4 Channel Amplifier	1200 Watts	4 x 150 Watts	4 x 300 Watts	2 x 600 Watts	5

DIMENSIONS			
MODEL	LENGTH	HEIGHT	WIDTH
QRX1504	6.05" / 153.7 mm	2.33" / 59.2 mm	5.53" / 140.5 mm





QUANTUM  
AUDIO

TM

*Feel the Rush!*

**QRX**  
SERIES

**NEW**  
**SERIES**

## MONOBLOCK AMPLIFIERS



### Features

- Full Range Class D Circuitry
- 1Ω Load Mono Capability
- Low Level RCA Inputs
- High Level Inputs
- Variable Bass Boost @ 45Hz
- High Efficiency Mosfet Design
- Variable HP/LP Crossover
- Heat Management System
- Remote Dash Bass Control

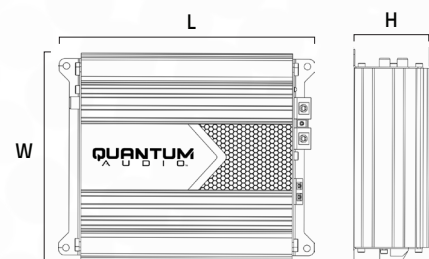
**BASS REMOTE INCLUDED**



AMPLIFIERS	INTERNAL CIRCUITRY	PEAK POWER	@ 1Ω MONO	@ 2Ω MONO	@ 4Ω MONO	M CARTON
QRX2501	Monoblock Amplifier	<b>2500 Watts</b>	1 x 2500 Watts	1 x 1500 Watts	1 x 750 Watts	5
QRX4001	Monoblock Amplifier	<b>4000 Watts</b>	1 x 4000 Watts	1 x 2000 Watts	1 x 1000 Watts	5

### DIMENSIONS

MODEL	LENGTH	HEIGHT	WIDTH
QRX2501	6.05" / 153.7 mm	2.33" / 59.2 mm	5.53" / 140.5 mm
QRX4001	6.83" / 173.5 mm	2.33" / 59.2 mm	5.53" / 140.5 mm



Images displayed are for illustration purposes only and may differ from actual products

contact us: 877 787 0101



QUANTUM  
AUDIO

TM

*Feel the Rush!*

**QPX**  
SERIES

**MONOBLOCK AMPLIFIERS**

**Features**

- 1Ω Load Stable Capability
- 2Ω Load Stereo Capability (QPX2000.1M)
- Amber-Glow Logo Badge
- Audiophile Grade Components
- Speaker Short Circuit Protection
- High Efficiency Mosfet Design
- 12 dB Variable Low Pass X-over
- 12 dB Variable Bass Boost
- 12 dB variable Subsonic Filter 15Hz - 55Hz (QPX2000.1M)
- 12 dB variable Subsonic Filter 10Hz - 40Hz
- Q Link Master /Slave Technology @ 2Ω (QPX3000.1D, QPX4000.1D, QPX5000.1D)



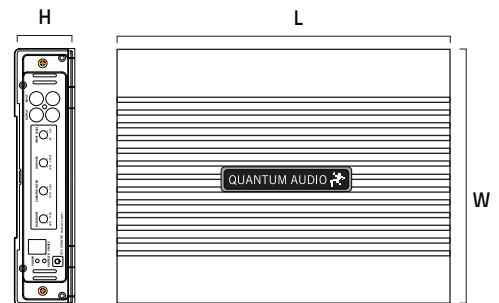
**BASS REMOTE INCLUDED**



AMPLIFIERS	INTERNAL CIRCUITRY	PEAK POWER	@ 1Ω MONOBLOCK	@ 2Ω MONOBLOCK	M CARTON
<b>QPX2000.1M</b>	Mono Class AB 2Ω Amplifier	<b>2000 Watts</b>	-	1 x 2000 Watts	5
<b>QPX2500.1D</b>	Mono Class D 1Ω Amplifier	<b>2500 Watts</b>	1 x 2500 Watts	1 x 1250 Watts	5
<b>QPX3000.1D</b>	Mono Class D 1Ω Amplifier	<b>3000 Watts</b>	1 x 3000 Watts	1 x 1500 Watts	5
<b>QPX4000.1D</b>	Mono Class D 1Ω Amplifier	<b>4000 Watts</b>	1 x 4000 Watts	1 x 2000 Watts	5
<b>QPX5000.1D</b>	Mono Class D 1Ω Amplifier	<b>5000 Watts</b>	1 x 5000 Watts	1 x 2500 Watts	5
<b>QPX6000.1D</b>	Mono Class D 1Ω Amplifier	<b>6000 Watts</b>	-	1 x 3000 Watts	4

**DIMENSIONS**

MODEL	LENGTH	HEIGHT	WIDTH
<b>QPX2000.1M</b>	11" / 280 mm	1.96" / 50 mm	8.6" / 220 mm
<b>QPX2500.1D</b>	12.11" / 308 mm	1.96" / 50 mm	8.6" / 220 mm
<b>QPX3000.1D</b>	7.50" / 190 mm	1.96" / 50 mm	8.6" / 220 mm
<b>QPX4000.1D</b>	9" / 228 mm	1.96" / 50 mm	8.6" / 220 mm
<b>QPX5000.1D</b>	11" / 280 mm	1.96" / 50 mm	8.6" / 220 mm
<b>QPX6000.1D</b>	12.84" / 326 mm	1.96" / 50 mm	8.6" / 220 mm





QUANTUM  
AUDIO

TM

Feel the Rush!

QPX  
SERIES

## 2&4 CHANNEL AMPLIFIERS



### Features

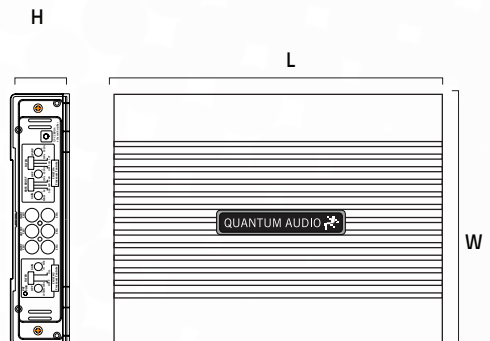
- Class A/B Circuitry
- 2Ω Load Stereo Capability
- Amber-Glow Logo Badge
- Audiophile Grade Components
- Speaker Short Circuit Protection
- High Efficiency Mosfet Design
- 12 dB Variable High Pass and Low Pass X-over
- Selectable: 0, 6, 12 dB/ Octave Bass Boost
- Buffered Line Output for Easy Daisy-Chaining (QPX2800.4 & QPX2000.4)



AMPLIFIERS	INTERNAL CIRCUITRY	PEAK POWER	@ 4Ω STEREO	@ 2Ω STEREO	BRIDGED @ 4Ω MONO	M CARTON
QPX2800.4	4 Ch Stereo Amplifier	3600 Watts	4 x 180 Watts	4 x 360 Watts	2 x 600 Watts	4
QPX2000.4	4 Ch Stereo Amplifier	2200 Watts	4 x 80 Watts	4 x 160 Watts	2 x 300 Watts	5
QPX1200.2	2 Ch Stereo Amplifier	1800 Watts	2 x 180 Watts	2 x 360 Watts	1 x 600 Watts	5

### DIMENSIONS

MODEL	LENGTH	HEIGHT	WIDTH
QPX2800.4	13.7" / 348 mm	1.96" / 50 mm	8.6" / 220 mm
QPX2000.4	11" / 280 mm	1.96" / 50 mm	8.6" / 220 mm
QPX1200.2	9.8" / 250 mm	1.96" / 50 mm	8.6" / 220 mm





QUANTUM  
AUDIO

TM

*Feel the Rush!*

# QEA SERIES

## MONOBLOCK AMPLIFIERS



### Features

- Class A/B Circuitry (QEA1500.1)
- Class D Circuitry (QEA2500.1)
- 1Ω Load Mono Capability (QEA2500.1)
- 2Ω Load Mono Capability (QEA1500.1)
- Audiophile Grade Components
  - Variable Low Pass Crossover
  - High Efficiency Mosfet Design
- QSINK Heat Management System
- Variable Bass Boost 0-12dB @45hz
  - Input Sensitivity: 285Mv - 6V
  - Signal to Noise ratio >90dB
  - THD at Rated Power <0.5%

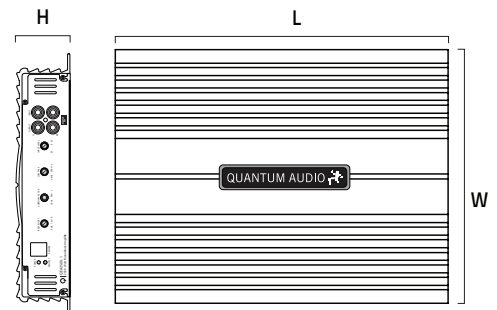
**BASS REMOTE INCLUDED**



AMPLIFIERS	INTERNAL CIRCUITRY	PEAK POWER	@ 1Ω MONOBLOCK	@ 2Ω MONOBLOCK	M CARTON
QEA2500.1	Mono Class D 1Ω Amplifier	2500 Watts	1 X 2500 Watts	1 X1250 Watts	4
QEA1500.1	Mono Class AB 2Ω Amplifier	1500 Watts	-	1 X1500 Watts	4

### DIMENSIONS

MODEL	LENGTH	HEIGHT	WIDTH
QEA2500.1	10.82" / 275 mm	1.96" / 50 mm	9.54" / 242 mm
QEA1500.1	7.87" / 200 mm	1.96" / 50 mm	9.54" / 242 mm







QUANTUM  
AUDIO

TM

*Feel the Rush!*

**QEA**  
SERIES

## 2&4 CHANNEL AMPLIFIERS

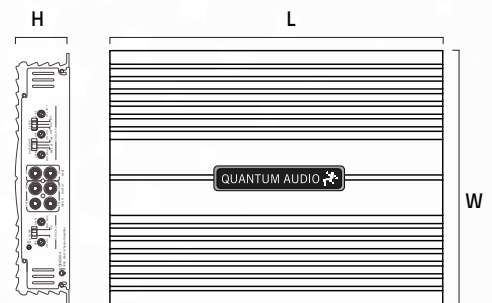
### Features

- Class A/B Circuitry
- 2Ω Load Stereo Capability
- Audiophile Grade Components
- Variable Low/ High Pass Crossover
- High Efficiency Mosfet Design
- QSINK Heat Management System
- Bass Boost 0-12dB @ 45Hz
- Input Sensitivity: 285Mv - 6V
- Signal to Noise ratio >90dB
- THD at Rated Power <0.5%
- Bridgeable @ 4Ω



AMPLIFIERS	INTERNAL CIRCUITRY	PEAK POWER	@ 4Ω STEREO	@ 2Ω STEREO	BRIDGED @ 4Ω MONO	M CARTON
QEA800.4	4 Channel Amplifier	<b>3200 Watts</b>	4 x 160 Watts	4 x 320 Watts	2 x 640 Watts	4
QEA800.2	2 Channel Amplifier	<b>1800 Watts</b>	2 x 160 Watt	2 x 320 Watts	1 x 640 Watts	5
QEA500.4	4 Channel Amplifier	<b>2400 Watts</b>	4 x 100 Watts	4 x 200 Watts	2 x 400 Watts	4

DIMENSIONS			
MODEL	LENGTH	HEIGHT	WIDTH
QEA800.4	11.73" / 298 mm	1.96" / 49.79 mm	9.54" / 242.35 mm
QEA800.2	7.04" / 179 mm	1.96" / 49.79 mm	9.54" / 242.35 mm
QEA500.4	10.82" / 275 mm	1.96" / 49.79 mm	9.54" / 242.35 mm





QUANTUM  
AUDIO

TM

Feel the Rush!

## QE05 5 BAND EQUALIZER

8VOLTS  
OUTPUT



### Features

- Five Band Frequency Stereo Equalization
- Volume Gain with Up to 8 Volts of Output
  - Variable Subwoofer Output Control
  - Main / DVD Input Selector
  - Gold Plated RCA Input Connectors
- Selectable 41Hz - 60Hz Subwoofer Crossover
  - Blue Power-On Illumination
  - Master Carton: 20 pcs

12VOLTS  
OUTPUT

## QE07 7 BAND EQUALIZER

### Features

- Master Volume Control With Up To 12 Volts Of Max Output
- 7 Band Equalizer With 12 dB Boost/Cut
- Assigned Bands Plus High Frequency Shelving
- Bipolar Switching Power Supply
- Subwoofer Output Level Control
- Selectable Subwoofer Frequency Control
- Gold-Plated RCA Input/Output Connectors
- Rear Panel AUX Input
- Master Carton: 20 pcs





QUANTUM  
AUDIO

TM

Feel the Rush!

**QWX**SERIES  
SUBWOOFERS



**4000 Watts**  
MAX POWER

**Features**

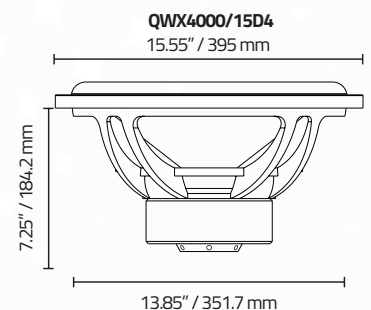
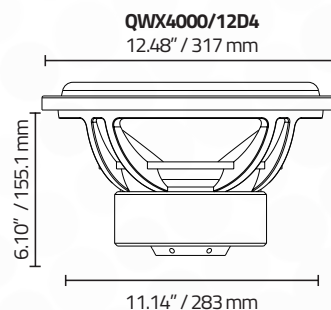
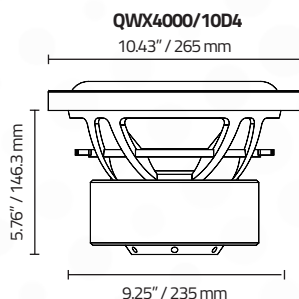
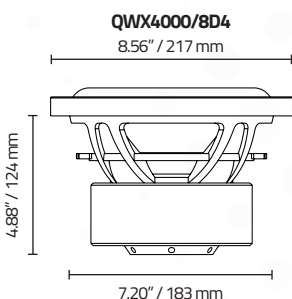
- 2.5" High Temperature Voice Coil [ QWX400/10D4/12D4/15D4 ]
- 2" High Temperature Voice Coil [ QWX4000/8D4 ]
  - Magnet Size: 80 oz. [ QWX4000/8D4 ]
  - Magnet size: 100 oz. [ QWX4000/10D4/12D4/ 15D4 ]
- Compressed Paper Cone
- Double Stitched Foam Surround
  - High Excursion Foam Surround
- Die-Cast Aluminum Vented Basket
- Proprietary Full Round PVC Gasket
  - Heavy Gauge Spring Terminals



**RECOMMENDED ENCLOSURES**

MODEL	SEALED ENCLOSURE	PORTED ENCLOSURE
QWX4000/8D4	.66 cu ft.	1.16 cu ft.
QWX4000/10D4	1.34 cu ft.	1.57 cu ft.
QWX4000/12D4	1.50 cu ft.	1.85 cu ft.
QWX4000/15D4	2.82 cu ft.	2.96 cu ft.

SUBWOOFERS	SUBWOOFER STRUCTURE	MAX POWER	NOMINAL POWER	IMPEDANCE	M CARTON
QWX4000/8D4	8" / 203 mm DVC Subwoofer	4000 Watts	2000 Watts	Dual 4Ω Voice Coil	2 Pcs
QWX4000/10D4	10" / 254 mm DVC Subwoofer	4000 Watts	2000 Watts	Dual 4Ω Voice Coil	2 Pcs
QWX4000/12D4	12" / 305 mm DVC Subwoofer	4000 Watts	2000 Watts	Dual 4Ω Voice Coil	2 Pcs
QWX4000/15D4	15" / 381 mm DVC Subwoofer	4000 Watts	2000 Watts	Dual 4Ω Voice Coil	1 Pcs





QUANTUM  
AUDIO

TM

*Feel the Rush!*

**QWX**SERIES  
SUBWOOFERS



**2000 Watts**  
MAX POWER



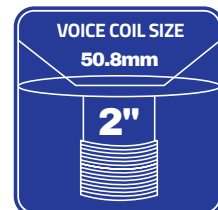
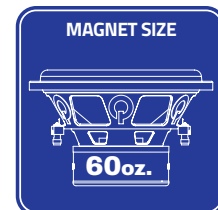
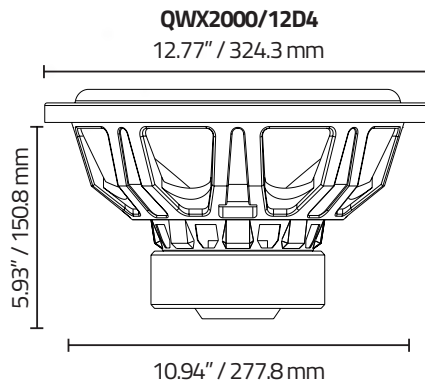
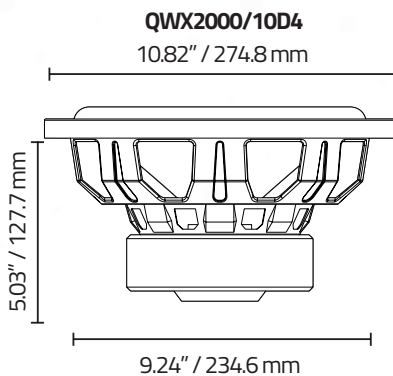
**Features**

- 2" BASV High Temperature Voice Coil
- Magnet size: 60 oz.
- Compressed Paper Cone
- Double Stitched Foam Surround
- Heavy Gauge Stamped Steel Basket
- Proprietary Full Round PVC Gasket
- Heavy Gauge Spring Terminals
- Protective Magnet Cover

**RECOMMENDED ENCLOSURES**

MODEL	SEALED ENCLOSURE	PORTED ENCLOSURE
QWX2000/10D4	.75 cu ft.	1.33 cu ft.
QWX2000/12D4	1.125 cu ft.	1.59 cu ft.

SUBWOOFERS	SUBWOOFER STRUCTURE	MAX POWER	NOMINAL POWER	IMPEDANCE	M CARTON
QWX2000/10D4	10" / 254 mm DVC Subwoofer	<b>2000 Watts</b>	1000 Watts	Dual 4Ω Voice Coil	2 Pcs
QWX2000/12D4	12" / 304.8 mm DVC Subwoofer	<b>2000 Watts</b>	1000 Watts	Dual 4Ω Voice Coil	2 Pcs





QUANTUM  
AUDIO

TM

*Feel the Rush!*

**QW5000** SERIES  
SUBWOOFERS

**5000 Watts**  
MAX POWER



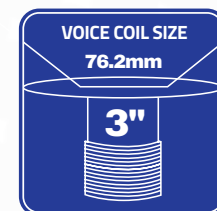
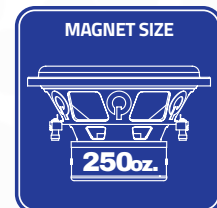
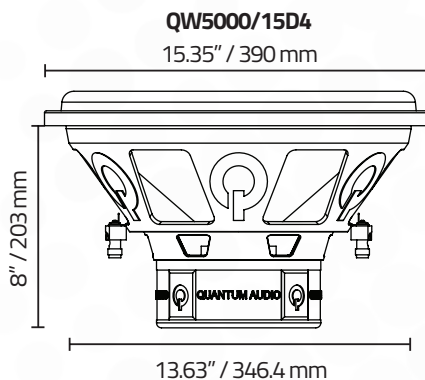
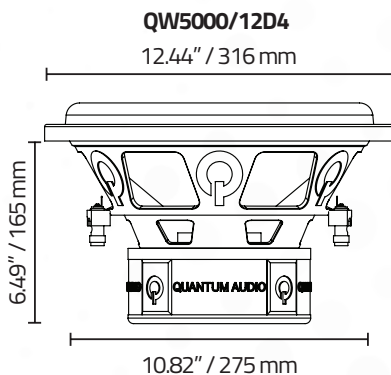
### Features

- 3" / 76.2 mm 4 Layer Aluminum 4Ω DVC
- Heavy Gauge Stamped Steel Basket
  - High Temperature Voice Coil
- QEMT Aluminum Voice Coil Former
  - High-Excursion Foam Surround
    - Compressed Paper Cone
  - Injection Molded PP Dust Cap
- Proprietary Full Round PVC Gasket
  - Heavy Gauge Spring Terminal

### RECOMMENDED ENCLOSURES

MODEL	SEALED ENCLOSURE	PORTED ENCLOSURE
QWX5000/12D4	1.40 cu ft.	2.48 cu ft.
QWX5000/15D4	2.33 cu ft.	2.95 cu ft.

SUBWOOFERS	SUBWOOFER STRUCTURE	MAX POWER	NOMINAL POWER	IMPEDANCE	M CARTON
QW5000/12D4	12" / 305 mm DVC Subwoofer	<b>5000 Watts</b>	1500 Watts	Dual 4Ω Voice Coil	1 Pcs
QW5000/15D4	15" / 381 mm DVC Subwoofer	<b>5000 Watts</b>	1500 Watts	Dual 4Ω Voice Coil	1 Pcs





QUANTUM  
AUDIO

TM

*Feel the Rush!*

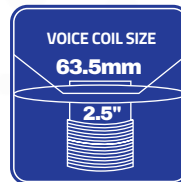
**QW3000** SERIES  
SUBWOOFERS

**3000** Watts  
MAX POWER



### Features

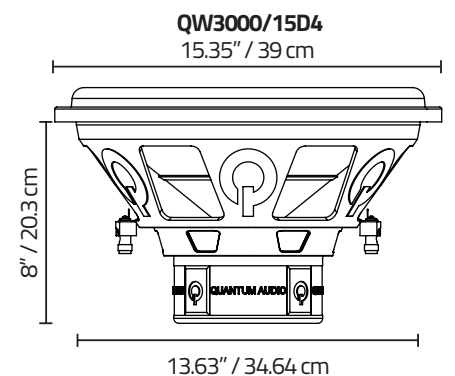
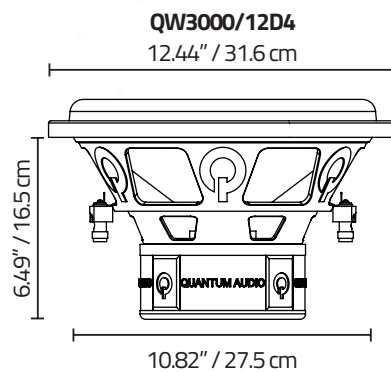
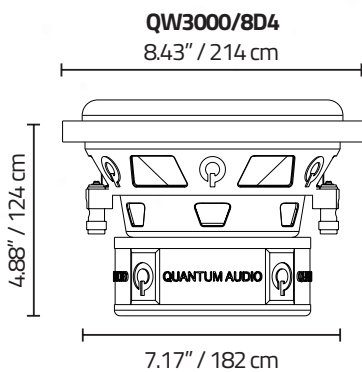
- 2.5" / 63.5 mm 4 Layer Aluminum 4Ω DVC
  - 2" Voice Coil [QW3000/8D4]
- Heavy Gauge Stamped Steel Basket
  - High Temperature Voice Coil
- QEMT Aluminum Voice Coil Former
  - High-Excursion Foam Surround
    - Compressed Paper Cone
  - Injection Molded PP Dust Cap
- Proprietary Full Round PVC Gasket
  - Heavy Gauge Spring Terminal



### RECOMMENDED ENCLOSURES

MODEL	SEALED ENCLOSURE	PORTED ENCLOSURE
QW3000/8D4	.6 cu ft.	.9 cu ft.
QW3000/12D4	1.40 cu ft.	2.48 cu ft.
QW3000/15D4	2.33 cu ft.	2.95 cu ft.

SUBWOOFERS	SUBWOOFER STRUCTURE	MAX POWER	NOMINAL POWER	IMPEDANCE	M CARTON
QW3000/8D4	8" / 200 mm DVC Subwoofer	3000 Watts	1000 Watts	Dual 4Ω Voice Coil	2 Pcs
QW3000/12D4	12" / 305 mm DVC Subwoofer	3000 Watts	1000 Watts	Dual 4Ω Voice Coil	1 Pcs
QW3000/15D4	15" / 381 mm DVC Subwoofer	3000 Watts	1000 Watts	Dual 4Ω Voice Coil	1 Pcs





QUANTUM  
AUDIO

TM

*Feel the Rush!*

**QW1000** SERIES  
SUBWOOFERS

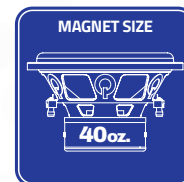


**1000 Watts**  
MAX POWER



### Features

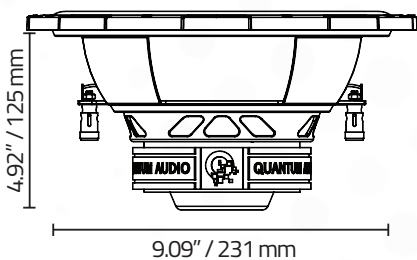
- 2.0" / 50.8 mm KSV Voice Coil
- PP Cone W/ Foam Surround
- Injection Molded PP Dust Cap
- High Energy Strontium Ferrite Magnet
- Convection Vented Monolithic Forged Yoke
- Electro-plated finished Top and Bumped Bottom Plate
- CAD Optimized Electro Mechanical and Magnetic Design
  - Low Stress Connecting Leads
  - Poly-Cotton Spider
- Compression Speaker Terminals



SUBWOOFERS	SUBWOOFER STRUCTURE	MAX POWER	NOMINAL POWER	IMPEDANCE	M CARTON
<b>QW1000/10D4</b>	10" / 254 mm DVC Subwoofer	<b>1000 Watts</b>	250 Watts	Dual 4Ω Voice Coil	2 Pcs
<b>QW1000/10S4</b>	10" / 254 mm DVC Subwoofer	<b>1000 Watts</b>	250 Watts	Single 4Ω Voice Coil	2 Pcs
<b>QW1000/12D4</b>	12" / 305 mm DVC Subwoofer	<b>1000 Watts</b>	250 Watts	Dual 4Ω Voice Coil	2 Pcs
<b>QW1000/12S4</b>	12" / 305 mm DVC Subwoofer	<b>1000 Watts</b>	250 Watts	Single 4Ω Voice Coil	2 Pcs

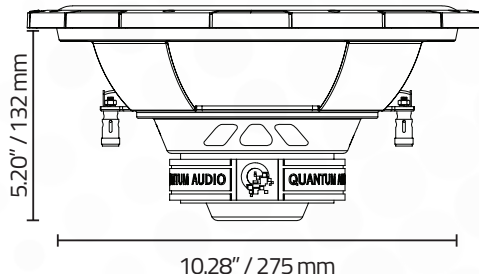
QW1000/10D4 - QW1000/10S4

10.43" / 265 mm



QW1000/12D4 - QW1000/12S4

12.40" / 315 mm



### RECOMMENDED ENCLOSURES

MODEL	SEALED ENCLOSURE	PORTED ENCLOSURE
<b>QW1000/10D4</b>	1.15 cu ft.	1.43 cu ft.
<b>QW1000/10S4</b>	1.15 cu ft.	1.43 cu ft.
<b>QW1000/12D4</b>	1.25 cu ft.	1.5 cu ft.
<b>QW1000/12S4</b>	1.25 cu ft.	1.5 cu ft.



QUANTUM  
AUDIO

TM

*Feel the Rush!*

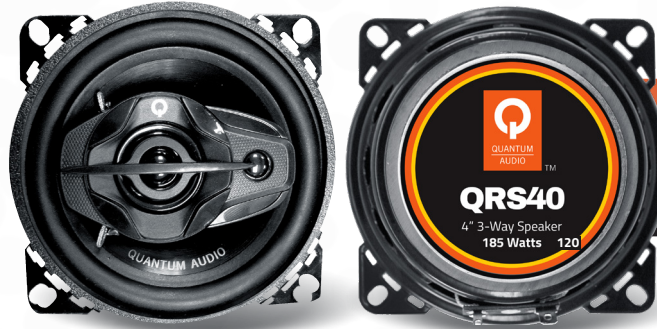
# QRS SERIES LOUDSPEAKERS

## Features

- Polypropylene Cone
- Mylar Dome Tweeter
- Ferrite Oxide Magnet
  - Rubber Surround

### QRS40

4" / 102 mm  
3-Way Speaker



**120 Watts**  
MAX POWER

### QRS46

4 x 6" / 102 x 152 mm  
3-Way Speaker



**130 Watts**  
MAX POWER

### QRS50

5.25" / 133 mm  
3-Way Speaker



**140 Watts**  
MAX POWER

SPEAKERS	SPEAKER STRUCTURE	MAX POWER	NOMINAL POWER	SENSITIVITY	FREQ. RESPONSE	MAGNET SIZE	M CARTON
QRS40	4" / 102 mm 3-Way Speaker	120 Watts	40 Watts	89dB	50Hz - 25Khz	10 oz Ferrite Oxide Magnet	12
QRS46	4 x 6" / 10.2 x 152 mm 3-Way Speaker	130 Watts	40 Watts	89dB	75Hz - 25Khz	10 oz Ferrite Oxide Magnet	12
QRS50	5.25" / 133 mm 3-Way Speaker	140 Watts	40 Watts	91dB	50Hz - 25Khz	12 oz Ferrite Oxide Magnet	12





QUANTUM  
AUDIO

TM

*Feel the Rush!*

# QRS SERIES LOUDSPEAKERS

### Features

- Polypropylene Cone
- Mylar Dome Tweeter
- Ferrite Oxide Magnet
- Rubber Surround

## QRS57

5 x 7" / 127 x 178 mm  
3-Way Speaker



**180 Watts**  
MAX POWER

## QRS65

6.5" / 165 mm  
3-Way Speaker



**180 Watts**  
MAX POWER

## QRS69

6 x 9"  
152 x 229 mm  
4-Way Speaker



**200 Watts**  
MAX POWER

SPEAKERS	SPEAKER STRUCTURE	MAX POWER	NOMINAL POWER	SENSITIVITY	FREQ. RESPONSE	MAGNET SIZE	M CARTON
QRS65	6.5" / 165 mm 3-Way Speaker	180 Watts	60 Watts	91dB	45Hz - 25Khz	15 oz Ferrite Oxide Magnet	10
QRS57	5 x 7" / 127 x 178 mm 3-Way Speaker	180 Watts	60 Watts	91dB	45Hz - 25Khz	15 oz Ferrite Oxide Magnet	10
QRS69	6 X 9" / 152 x 229 mm 3-Way Speaker	200 Watts	80 Watts	91dB	35Hz - 28Khz	18 oz Ferrite Oxide Magnet	4



QUANTUM  
AUDIO

TM

*Feel the Rush!*

# QS SERIES LOUDSPEAKERS

## QS57

5X7" / 127X177.8mm  
3-WAY SPEAKER



**200 Watts**  
MAX POWER



**QS57**

5x7" Three-Way Speaker  
200 Watts

### Features

- Mylar Cone
- Piezo Tweeter
- Rubber Surround
- Ferrite Oxide Magnet

## QS65

6.5" / 165mm  
3-WAY LOUDSPEAKERS

**200 Watts**  
MAX POWER



**QS65**

6.5" Three-Way Speaker  
200 Watts

QUANTUM AUDIO



QUANTUM  
AUDIO

TM

*Feel the Rush!*

**QS** SERIES  
LOUDSPEAKERS



**250 Watts**  
MAX POWER

## QS69

6X9" / 152.4X228.6mm  
3-WAY SPEAKERS



INCLUDES GRILL

SPEAKERS	SPEAKER STRUCTURE	IMPEDANCE	MAX POWER	RMS POWER	SENSITIVITY	MAGNET	M CARTON
QS57	5 x 7" 3-Way Speaker	4Ω	200 Watts	55 Watts	88dB	Ferrite Magnet	10
QS65	6.5" 3-Way Speaker	4Ω	200 Watts	55 Watts	91dB	Ferrite Magnet	8
QS69	6 x 9" 3-Way Speaker	4Ω	250 Watts	75 Watts	89.5dB	Ferrite Magnet	4



QUANTUM  
AUDIO

TM

*Feel the Rush!*  
TWEETERS



## QS1TW

- 1" / 25 mm Swivel Dome Tweeter
- Peak Power: 350 Watts
- Nominal Power: 175 Watts
- Multiple Mounting Applications
- High Performance
- Easy Installation
- Blister Package
- **Master Carton: 60 pcs**

## QS2TW

- 1" / 25 mm Directional Mount Tweeter
- Peak Power: 375 Watts
- Nominal Power: 185 Watts
- Packed in Giftbox
- **Master Carton: 60 pcs**



## QB1ST

- 1" / 25 mm Mylar Dome Tweeter
- Peak Power: 350 Watts
- Nominal Power: 175 Watts
- Neo Magnet
- Packed in Giftbox
- **Master Carton: 30 pcs**



QUANTUM  
AUDIO

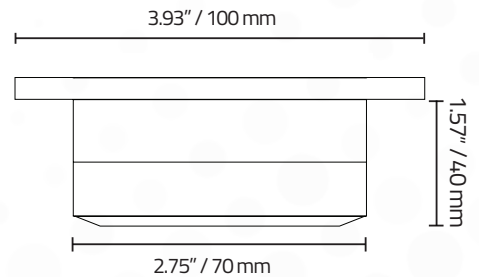
TM

*Feel the Rush!*

## QPT3D

- 3.93" / 100 mm Aluminum Pro Audio Tweeter
- 1.57" / 39.87 mm Tweeter Voice Coil
- Peak Power: 300 Watts
- Nominal Power: 150 Watts
- Packed in Giftbox
- Sold in Pairs

▪ **Master Carton: 12 pcs**



## PRO AUDIO TWEETERS

## QPCD200

- Phenolic Horn Tweeter Design
- Extended Frequency Response
- Peak Power: 200 Watts
- Nominal Power: 150 Watts
- High Efficiency
- Wide Dispersion Horn Lens
- Sold as Single
- **Master Carton: 12 pcs**



**RECONE KIT**  
**QPCD200RC**  
 QPCD200 Recone Kit



QUANTUM  
AUDIO

TM

*Feel the Rush!*

**Qsx** SERIES  
LOUDSPEAKERS



# Qsx69CD

6X9" HIGH EFFICIENCY  
2-WAY LOUDSPEAKERS

### Features

- 6 x 9" High Efficiency 2 way Loudspeaker
- 1" Aluminum Compression Style Tweeter
- Element Rated Cone Design
- Bi-Ribbed Treated Cloth Surround
- 1.5" High Output Til Midrange Voice Coil
- Protective Grill Included

### Dimensions

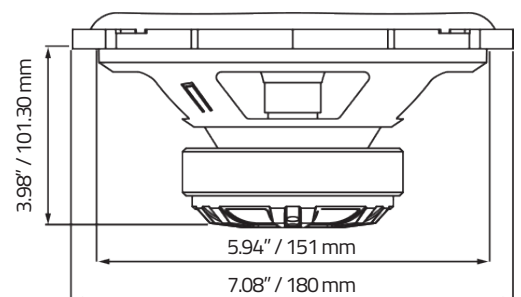
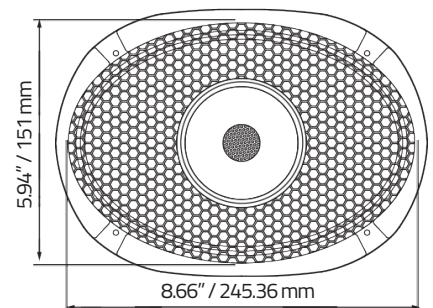
- Mounting Depth: 3.98" / 101.3 mm
- Cutout Diameter: 8.66 x 5.94"  
( 245.36 x 150.87 mm )



**700 Watts**  
MAX POWER

### Specifications

- Dynamic Power Handling: 700 Watts
- Nominal Power Handling: 350 Watts
- Frequency Response: 80Hz - 18KHz
  - Impedance: 4 Ohm
  - Sensitivity: 103.2dB





QUANTUM  
AUDIO

TM

*Feel the Rush!*

# Qsx SERIES LOUDSPEAKERS

## Qsx8CD

8" HIGH EFFICIENCY  
2-WAY LOUDSPEAKERS



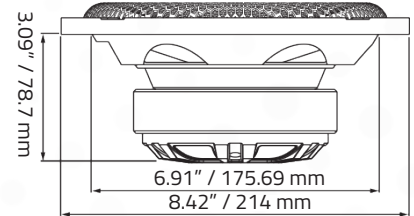
**700 Watts**  
MAX POWER

### Features

- 8" High Efficiency 2 Way Loudspeaker
- 1" Aluminum Compression Style Tweeter
- Element Rated Cone Design
- Bi-Ribbed Treated Cloth Surround
- 1.5" High Output Til Midrange Voice Coil
- Protective Grill Included

### Dimensions

- Mounting Depth: 3.09" / 78.7 mm
- Cutout Diameter: 6.91" / 175.69 mm



### Specifications

- Dynamic Power Handling: 700 Watts
- Nominal Power Handling: 350 Watts
- Frequency Response: 85Hz - 18KHz
  - Impedance: 4 Ohm
  - Sensitivity: 102.9dB

### Specifications

- Dynamic Power Handling: 500 Watts
- Nominal Power Handling: 250 Watts
- Frequency Response: 90Hz - 18KHz
- Impedance: 4Ω
- Sensitivity: 102.7dB

### Dimensions

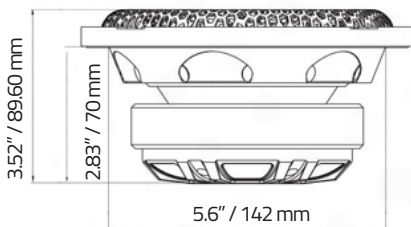
- Mounting Depth: 2.83" / 70 mm
- Cutout Diameter: 5.6" / 142 mm

**500 Watts**  
MAX POWER

## Qsx65CD

6.5" / 16.5cm

2-WAY HIGH EFFICIENCY LOUDSPEAKERS



### Features

- 1" Aluminum Compression Style Tweeter
  - Element Rated Cone Design
- Bi-Ribbed Treated Cloth Surround
- 1.5" High Output Til Midrange Voice Coil
  - Protective Grill Included



QUANTUM  
AUDIO

TM

*Feel the Rush!*

**QPSM**  
SERIES

**PRO AUDIO**

**(( MID  
RANGE ))**

PRO AUDIO MIDRANGES



INCLUDES GRILL



### Features

- High Efficiency Mid-High Frequency
- Shallow Mount Application
- Multi Application Use
- Cloth Surround Paper Cone
- 1.5" / 38.1 mm High Temperature Voice Coil
- Custom Embossed Grill
- Sold as singles

DIMENSIONS	LENGTH	HEIGHT	WIDTH
<b>QPSM6v4</b>	11.73" / 298 mm	1.96" / 50 mm	9.54" / 242 mm
<b>QPSM8v4</b>	7.04" / 179 mm	1.96" / 50 mm	9.54" / 242 mm
<b>QPSM10v2</b>	10.82" / 275 mm	1.96" / 50 mm	9.54" / 242 mm

SPEAKERS	SPEAKER STRUCTURE	MAX POWER	NOMINAL POWER	SENSITIVITY	FREQ. RESPONSE	IMPEDANCE	M CARTON
QPSM6v4	6.5" / 165 mm	300 Watts	175 Watts	91.8 dB@1w/1m SPL	80Hz - 18 kHz	4Ω	8
QPSM8v4	8" / 203 mm	350 Watts	200 Watts	94.4 dB@1w/1m SPL	75Hz - 18 kHz	4Ω	6
QPSM10v2	10" / 254 mm	400 Watts	250 Watts	97.2 dB@1w/1m SPL	65Hz - 18 kHz	4Ω	6





QUANTUM  
AUDIO

TM

*Feel the Rush!*

# QM65PRO4

6.5"/165mm

PRO AUDIO MIDRANGE

**250 Watts**  
MAX POWER

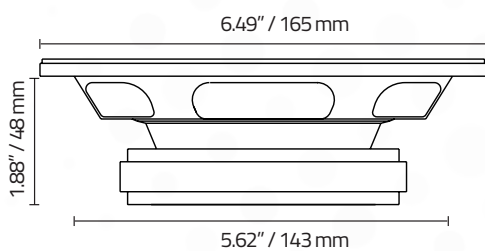
PRO AUDIO

(( MID ))  
RANGE



## Features

- 4Ω
- Dynamic Power: 250 Watts
- Nominal Power: 150 Watts
- Shallow Mount Stamped Basket
- Barium Ferrite Magnet
- 1.5"/38.1mm Voice Coil
- Cloth Paper Surround
- **Master Carton: 6 pcs**





QUANTUM  
AUDIO

TM

*Feel the Rush!*



## QANL-4K

### 4 GA. ANL AMPLIFIER INSTALLATION KIT



#### KIT CONTENTS

- 17' (5.2M) Orange/Gray Soft Touch RCA Cable
- 17' (5.2M) 4 Ga. Orange Soft Touch Power Cable
  - 17' (5.2M) 18Ga. Blue Remote Wire
- 17' (5.2M) 16Ga. Orange/Gray Soft Touch Speaker Cable
- 3' (0.9M) 4 Ga. Gray Soft Touch Ground Cable
  - ANL Heat Resistant Fuse Holder
  - 60 Amp ANL Fuse
  - Split loom
- Accessories: Wire Ties, Ring Terminals, Butt Connectors, Spades, Grommet

## QMANL-8K

### 8 GA. MINI ANL AMPLIFIER INSTALLATION KIT

#### KIT CONTENTS

- 17' (5.2M) Orange/Gray Soft Touch RCA Cable
- 17' (5.2M) 8 Ga. Orange Soft Touch Power Cable
- 17' (5.2M) 18Ga. Blue Remote Wire
- 17' (5.2M) 16Ga. Orange/Gray Soft Touch Speaker Cable
- 3' (0.9M) 8 Ga. Gray Soft Touch Ground Cable
- Mini ANL Heat Resistant Fuse Holder
- 40 Amp Mini ANL Fuse
- Split loom
- Accessories: Wire Ties, Ring Terminals, Butt Connectors, Spades, Grommet





QUANTUM  
AUDIO

TM

*Feel the Rush!*

## SUBWOOFER AMPLIFIER COMPATIBILITY CHART

SUBWOOFER	NUMBER OF SUBWOOFERS	RECOMMENDED AMPLIFIER OPTION 1	RECOMMENDED AMPLIFIER OPTION 2
QWX4000/12D4	2 Subs @ 1Ω	QPX4000.1D	QPX5000.1D
QWX4000/15D4	2 Subs @ 1Ω	QPX4000.1D	QPX5000.1D
QWX2000/10D4	2 Subs @ 1Ω	QPX2500.1D	QEA2500.1
QWX2000/12D4	2 Subs @ 1Ω	QPX2500.1D	QEA2500.1
QW5000/12D4	2 Subs @ 1Ω	QPX5000.1D	QPX4000.1D
QW5000/15D4	2 Subs @ 1Ω	QPX5000.1D	QPX4000.1D
QW3000/8D4	2 Subs @ 1Ω	QPX2500.1D	QPX3000.1D
QW3000/8D4	1 Sub @ 2Ω	QEA1500.1	QPX2000.1M
QW3000/12D4	2 Subs @ 1Ω	QPX3000.1D	QPX4000.1M
QW3000/15D4	2 Subs @ 1Ω	QPX4000.1D	QPX3000.1D
QW1000/10D4	2 Subs @ 1Ω	QPX2500.1D	N/A
QW1000/10S4	1 Sub @ 4Ω	QEA800.2	QPX1200.2
QW1000/10S4	2 Subs @ 2Ω	QEA1500.1	QPX2000.1M
QW1000/12D4	2 Subs @ 1Ω	QPX2500.1D	N/A
QW1000/12S4	1 Sub @ 4Ω	QEA800.2	QPX1200.2
QW1000/12S4	2 Subs @ 2Ω	QEA1500.1	QPX2000.1M



TM

*Feel the Rush!*



302 Hanmore Industrial Parkway/Harlingen, TX 78550

Toll Free: (877) 787-0101 Fax: (956) 421-4513

[sales@dbdrive.net](mailto:sales@dbdrive.net)

Printed in China

QCAT23A

