



2023 - 2024 PRODUCT GUIDE



DB DRIVE™



G7 SUBWOOFERS

At DB DRIVE we live to innovate the best car audio products known to man. G7 Subwoofers and amplifiers are purpose built for competition lanes as well as the streets.

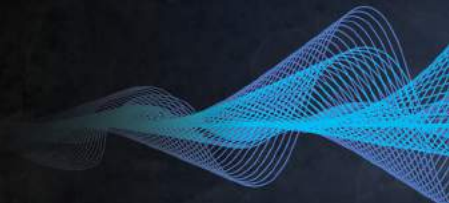


COMPETITION GRADE

G7™ AMPLIFIERS



G7 subwoofers and amplifiers were designed and over engineered to provide the best performance under the most torturous testing conditions. True performance is not just measured in a laboratory, but in the hands of the people that will push the car audio world to its limits.



AMPLIFIER FEATURES



ATC
Audio Grade Tiffany
RCA Connectors



SESI
Signal Evaluation
Status Indicator



ACT
Adaptive Crossover
Technology



CHM
Collective Heat
Management



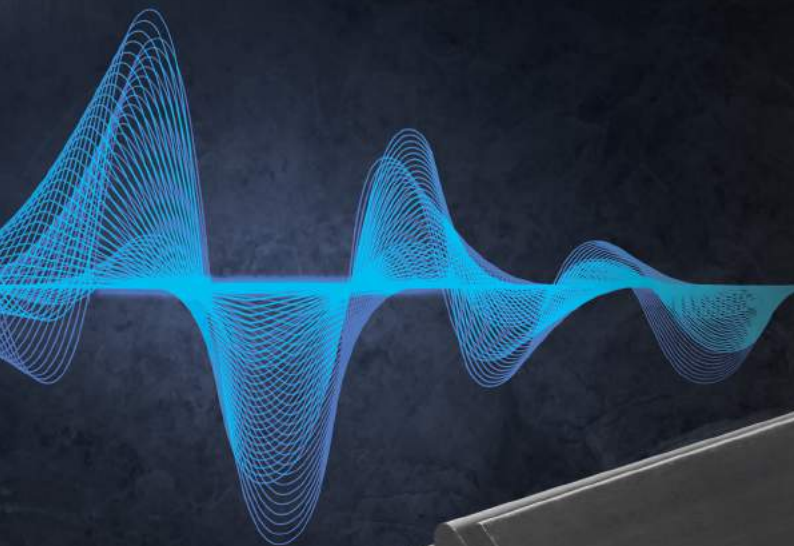
APC
Audio Protection
Circuit



DRIVE-LINK
Easy Multi-Linking
of Two Like Amplifiers

- ATC - Audiophile Grade Tiffany RCA Connectors
- ACT - Adaptive Crossover Technology
- High efficiency Class D Technology
- Direct Connect Speaker Terminals
- Large Gauge Power Wire Inputs
- APC - Audio Protection Circuit
- SESI - Signal Evaluation Status Indicator
- Bass Remote with status indicator
- CHM - Collective Heat Management
- DRIVE-LINK- for easy multi-linking of two like amplifiers

UNCOMPROMISED POWER



COMPETITION GRADE

G7 AMPLIFIERS



4 CHANNEL AMPLIFIERS

G7 150.4
4 CHANNEL AMPLIFIER

G7 250.4
4 CHANNEL AMPLIFIER

G7 500.4
4 CHANNEL AMPLIFIER



Class D Amplifier



Large Terminal Inputs

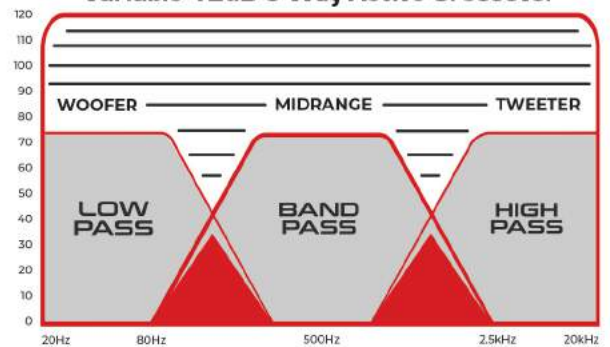


Audio Grade Tiffany



Adaptive Crossover Technology

Variable 12dB 3-Way Active Crossover





MONOBLOCK AMPLIFIERS



Class D
Amplifier



Large Terminal
Inputs



Audio Grade
Tiffany



DRIVE-LINK
Technology

G7 AMPLIFIERS

G7 1250.1

MONOBLOCK AMPLIFIER

G7 2500.1

MONOBLOCK AMPLIFIER

G7 3500.1

MONOBLOCK AMPLIFIER

G7 5000.1

MONOBLOCK AMPLIFIER

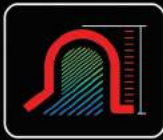


**BASS
REMOTE
INCLUDED**



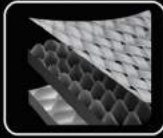


SUBWOOFERS



XEC

Xtreme Excursion
Foam Surround



RBPFC

Radial Balanced Paper
Glass Fibrillated Mixed Cone



CFDC

True Carbon Fiber Dust Cap



3XLP

Tri-Layer Progressive
Dampeners with Intergrated
Tinsel Leads



ADCB

Proprietary Reinforced
Aluminum Die-Cast Basket



AF3X

Aluminum Anodized Former
With Reinforced Triple Joint



4AVC

4-Layer Aluminum
Flat Wire Voice Coil



8GAXT

8 Gauge Push Spring
Input Terminals



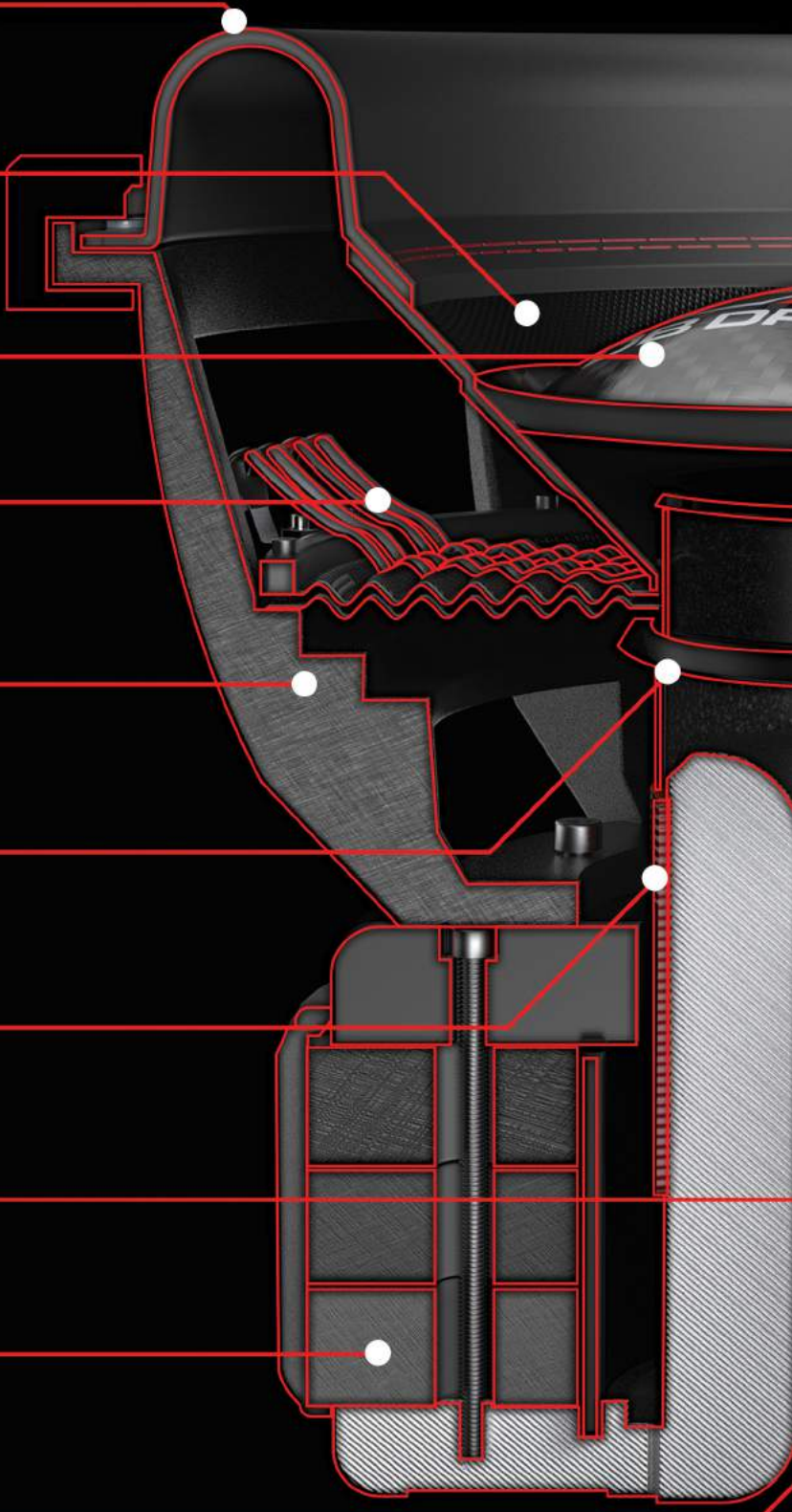
TSFM

Triple Stacked
Ferrite Magnets

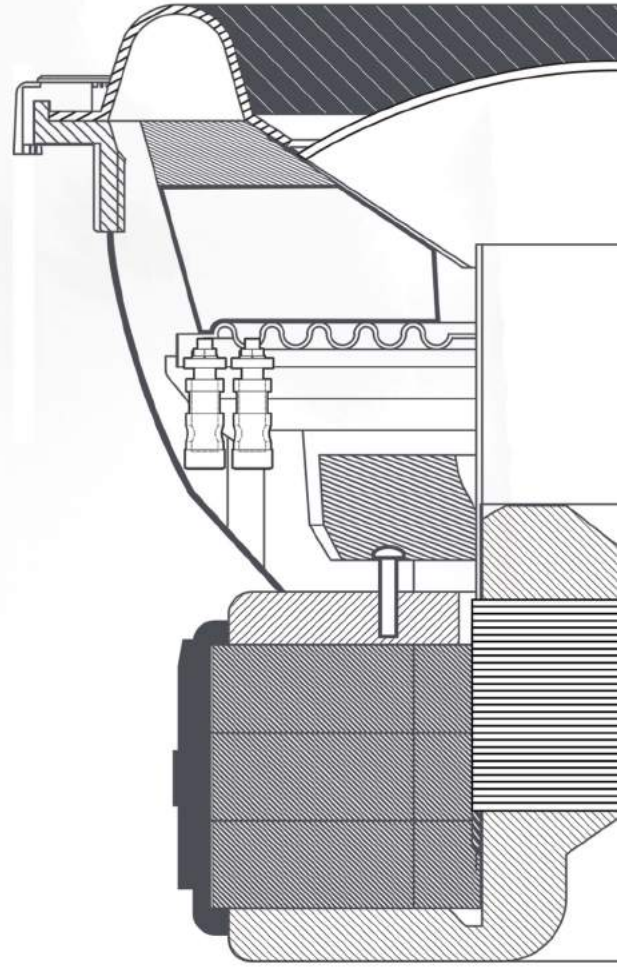
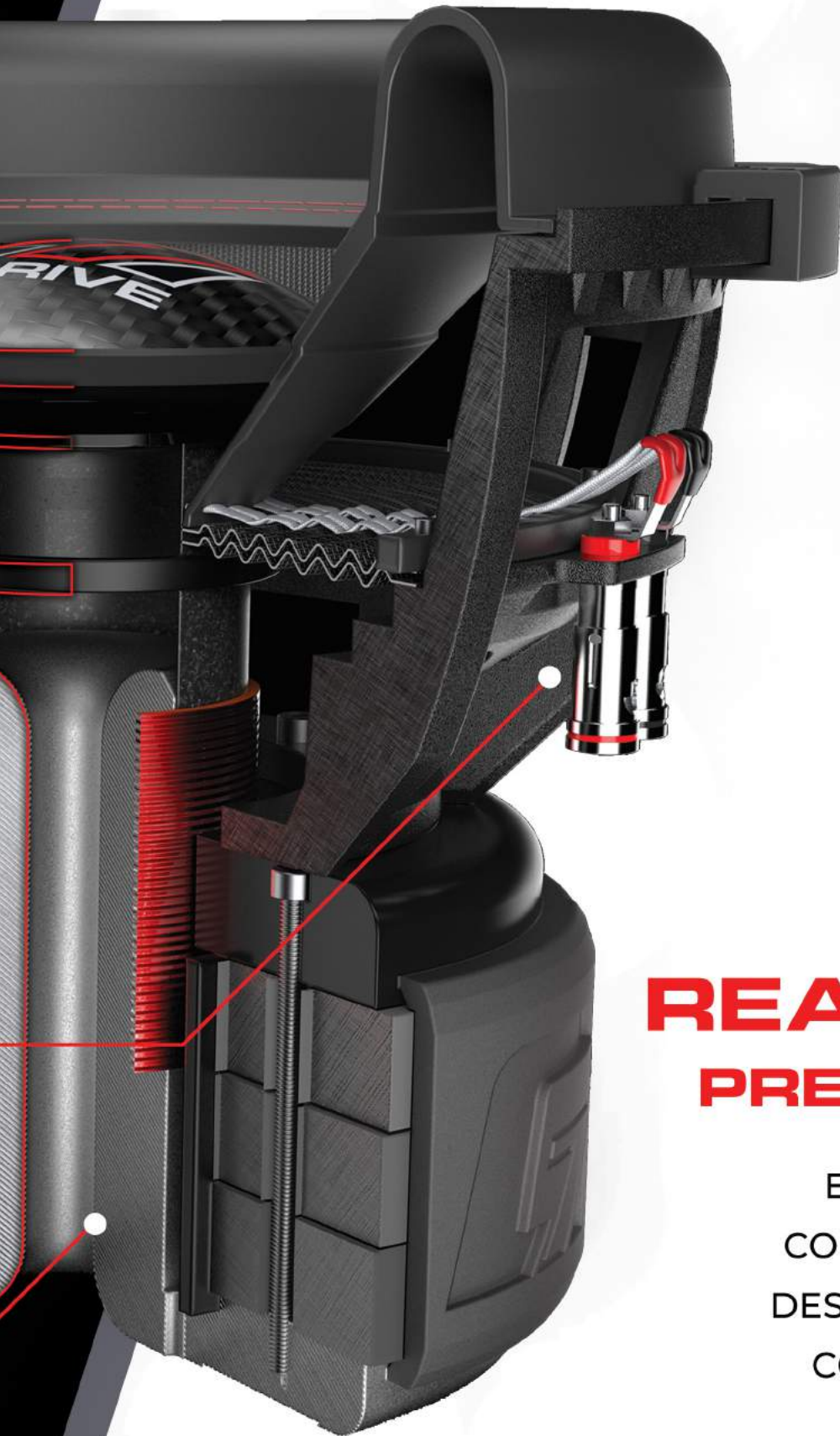


EIMC

Excursion Induced
Motor Cooling



COMPETITION GRADE



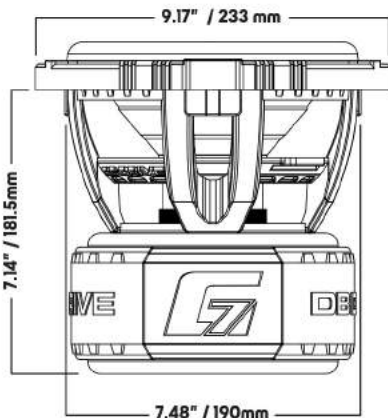
REAL WORLD PERFORMANCE

ENGINEERED WITH
COMPETITORS IN MIND,
DESIGNED TO BLOW THE
COMPETITION AWAY



BUILT FOR EXTREME BASS

G7 SUBWOOFERS



2500 WATTS

G7 8.2
8" 2Ω DVC SUBWOOFER

G7 8.4
8" 4Ω DVC SUBWOOFER

COMPETITION
GRADE



8" Subwoofer



2.75" Voice Coil

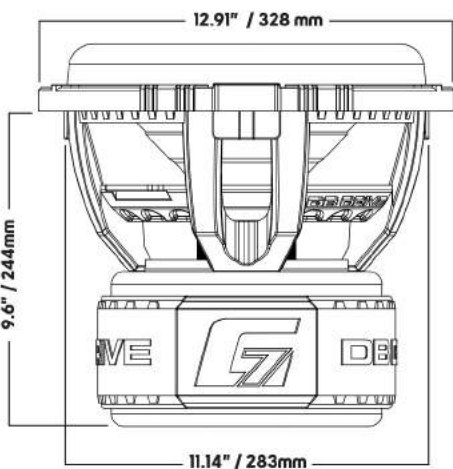


Triple Stacked Magnet



8 Gauge Terminals

SPECIFICATIONS		G7 8.2 G7 8.4
Structure		8" (20.3 cm)
Max Power		2500 Watts
Nominal Power		1250 Watts
Impedance		2Ω DVC / 4Ω DVC
Master Carton		1
REBUILT KIT		G7 8.2-RC G7 8.4-RC



8000 WATTS

G7 12.1
12" 1Ω DVC SUBWOOFER

G7 12.2
12" 2Ω DVC SUBWOOFER

COMPETITION
GRADE



12" Subwoofer



3" Voice Coil



Triple Stack Magnet



8 Gauge Terminals

SPECIFICATIONS

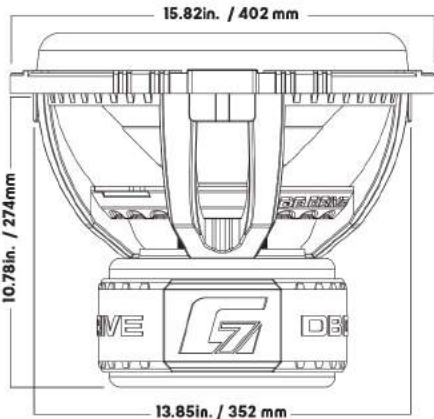
G7 12.1 | G7 12.2

Structure	10.98" (30.48 cm)
Max Power	8000 Watts
Nominal Power	4000 Watts
Impedance	1Ω DVC / 2Ω DVC
Master Carton	1
REBUILT KIT	G7 12.1-RC G7 12.2-RC



BUILT FOR EXTREME BASS

G7 SUBWOOFERS



8000 WATTS

G7 15.1
15" 1Ω DVC SUBWOOFER

G7 15.2
15" 2Ω DVC SUBWOOFER

COMPETITION
GRADE



15" Subwoofer



3" Voice Coil

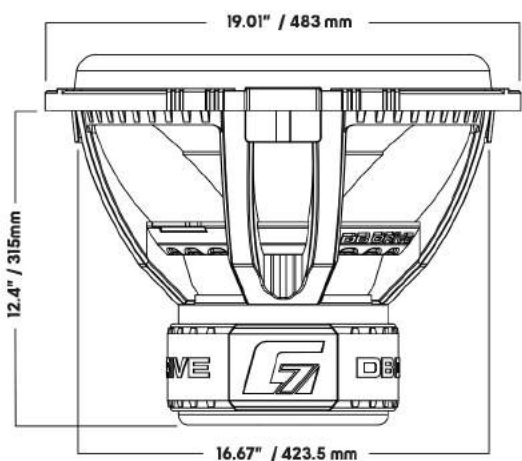


Triple Stacked Magnet



8 Gauge Terminals

SPECIFICATIONS	G7 15.1 G7 15.2
Structure	15" (38.1cm)
Max Power	8000 Watts
Nominal Power	4000 Watts
Impedance	1Ω DVC / 2Ω DVC
Master Carton	1
REBUILT KIT	G7 15.1-RC G7 15.2-RC



8000 WATTS

G7 18.1
18" 1Ω DVC SUBWOOFER

G7 18.2
18" 2Ω DVC SUBWOOFER

COMPETITION
GRADE



18" Subwoofer



3" Voice Coil



Triple Stacked Magnet



8 Gauge Terminals

SPECIFICATIONS		G7 18.1 18.2
Structure		18" (45.7cm)
Max Power		8000 Watts
Nominal Power		4000 Watts
Impedance		1Ω DVC / 2Ω DVC
Master Carton		1
REBUILT KIT		G7 18.1-RC 18.2-RC



AMPLIFIERS SPECIFICATIONS

G7 AMPLIFIERS	G7 150.4	G7 250.4	G7 500.4
Number of Channels	4 Channels	4 Channels	4 Channels
Amplifier Class	Class D	Class D	Class D
4-Ohm Power Output @ 14.4 V	4 x 125 Watts	4 x 250 Watts	4 x 500 Watts
2-Ohm Power Output	4 x 250 Watts	4 x 500 Watts	4 x 1000 Watts
Bridged Power Output	2 x 500 Watts	2 x 1000 Watts	2 x 2000 Watts
Working Voltage	9 - 16 Volts	9 - 16 Volts	9 - 16 Volts
Frequency Response	20Hz - 30Khz	10Hz - 25Khz	10Hz - 25Khz
Signal to Noise Ratio	<85 dB	<88 dB	<90 dB
Damping Factor	100dB<	100dB<	90dB<
Low Level Input:	6V - 0.2V	6V - 0.2V	6V - 0.2V
ACT - Variable Crossover	Yes	Yes	Yes
Ch 1/2 HP Filter Variable	20Hz - 8Khz	20Hz - 8Khz	20Hz - 8Khz
Ch 1/2 LP Filter Variable	50Hz - 8Khz	50Hz - 8Khz	50Hz - 8Khz
Ch 3/4 HP Filter Variable	20Hz - 8Khz	20Hz - 8Khz	20Hz - 8Khz
Ch 3/4 LP Filter Variable	50Hz - 8Khz	50Hz - 8Khz	50Hz - 8Khz
Min. Working Impedance	2 Ohm	2 Ohm	2 Ohm
Wire Terminals	4 Gauge	4 Gauge	4 Gauge
Dimmensions Inches	7.87" x 2.53" x 9.13"	11.81" x 2.54" x 9.13"mm	13.38" x 2.54" x 9.13"
Dimmensions Metrics	200mm x 64.5mm x 232mm	300mm x 64.5mm x 232mm	340mm x 64.5mm x 232mm
Master Carton	4	3	2

G7 AMPLIFIERS	G7 1250.1	G7 2500.1	G7 3500.1	G7 5000.1
Number of Channels	Mono	Mono	Mono	Mono
Amplifier Class	Class D	Class D	Class D	Class D
4-Ohm Power Output @ 14.4 V	1 x 300 Watts	1 x 625 Watts	1 x 875 Watts	1 x 1250 Watts
2-Ohm Power Output @ 14.4 V	1 x 625 Watts	1 x 1250 Watts	1 x 1750 Watts	1 x 2500 Watts
1-ohm Power Output @ 14.4 V	1 x 1250 Watts	1 x 2500 Watts	1 x 3500 Watts	1 x 5000 Watts
Working Voltage	9 - 16 Volts	9 - 16 Volts	9 - 16 Volts	9 - 16 Volts
Frequency Response	15Hz - 270Hz	14Hz - 267Hz	14Hz - 273Hz	14Hz - 269Hz
Signal to Noise Ratio	<98 dB	<99 dB	<96 dB	<98 dB
Damping Factor	230dB<	410dB<	327dB<	326dB<
Low Level Input:	6V - 0.2V	6V - 0.2V	6V - 0.2V	6V - 0.2V
ACT - Variable Crossover	Yes	Yes	Yes	Yes
Subsonic Filter	10Hz - 50Hz	10Hz - 50Hz	10Hz - 50Hz	10Hz - 50Hz
Bass Boost	0dB - 12dB	0dB - 12dB	0dB - 12dB	0dB - 12dB
Low Pass Filter Variable	35Hz - 250Hz	35Hz - 250Hz	35Hz - 250Hz	35Hz - 250Hz
Min. Working Impedance	1 Ohm	1 Ohm	1 Ohm	1 Ohm
Wire Terminals	4 Gauge	0 Gauge	Dual 0 Gauge	Dual 0 Gauge
Dimmensions Inches	7.08" x 2.53" x 9.13"	9.44" x 2.53" x 9.13"	11.02" x 2.53" x 9.13"	14.17" x 2.53" x 9.13"
Dimmensions Metrics	180mm x 64.5mm x 232mm	240mm x 64.5mm x 232mm	280mm x 64.5mm x 232mm	360mm x 64.5mm x 232mm
Master Carton	4	3	3	2



GLADIATOR DEMO VEHICLE

Front Dash
WDX1.5NTW
P9TW3NPH



Front Doors
WDX1.5NTW
WDX7MR8
Left & Right Door



Rear Doors
WDX1.5NTW
WDX7MR8
Left & Right Door



**Camper
Side Panel**
WDX1.5NTW
WDX8MB8
Left & Right Side



Roof Sound Bar
P4M8SB WDX1.5NTW

Under Seat Enclosure
WDX6.5G2.4 P9TW3NPH

CAMPER PASS THRU
G715.2





302 Hanmore Industrial Parkway/Harlingen, TX 78550
Toll Free: (877) 787-0101 Fax: (956) 421-4513
www.dbdrive.net contact us at: sales@dbdrive.net
Tech Support: support@dbdrive.net
Printed in China
G7CAT23A



WWW.DBDRIVE.NET