



# PRODUCT GUIDE



2021

# A7 SERIES OKUR

AMPLIFIERS



\* Bass Remote Included

Dimensions	L	H	W
A7 7500.1	33.5in / 851mm	2.75in / 70mm	11.81in / 300mm
A7 10K	37in / 940mm	2.75in / 70mm	11.81in / 300mm

	*A7 7500.1	*A7 10K
Internal Circuitry	Class D Mono	Class D Mono
4Ω @ 14.4 Volts	1x2000 Watts	1x2000 Watts
2Ω @ 14.4 Volts	1x4000 Watts	1x5000 Watts
1Ω @ 14.4 Volts	1x6500 Watts	1x10K Watts
Subsonic Filter	10Hz-50Hz	10Hz-50Hz
Capability	1Ω Mono	1Ω Mono
Master Carton	1	1



A7 10K  
**10K WATTS**



A7 5000H.1  
**5,000 WATTS**



A7 3500L.1  
**3,500 WATTS**



# A7SERIES

AMPLIFIERS

**FEATURES:**

- 2Ω Stereo Capability 4 Channel Model
- 1Ω Mono Capability on All Mono Amplifiers
- Continuously Variable Low level RCA Inputs
- DRIVESINK - Heat Management System
- Independent 18dB per Octave High Pass and Low Pass X-Over Network on 4 Channel Amplifier
- Continuously Variable 24dB per Octave Low Pass X-Over on All Mono Amplifiers
- Continuously Variable 24 dB Per Octave Subsonic Filter on Mono Amplifiers
- Variable Phase Shift Control (0-180) on Mono Amplifiers
- Continuously Variable Bass Boost @ 45Hz on All Models
- Internal Multi-Link Module For Easy Multi-Linking of Two Like Amplifiers
- Unregulated DC-DC PWM Power Supply
- Speaker Short Circuit Protection on All Models
- RCA Pre-Amp Outputs for Easy Daisy Chaining of Multiple Amplifiers
- Large Gauge Power Input Terminals
- \* Bass Remote Included



\* Bass Remote Included  
 A7 1500.1, A7 2500.1  
 A7 3500H.1, A7 3500L.1,  
 A7 5000H.1



	A7 125.4	*A7 2500.1	*A7 3500H.1	*A7 3500L.1	*A7 5000H.1
Internal Circuitry	4 Ch. Class AB	Class D Mono	Class D Mono	Class D Mono	Class D Mono
4Ω @ 14.4 Volts	4x125 W/2x350W	1x750 Watts	1x900 Watts	1x900 Watts	1x1250 Watts
2Ω @ 14.4 Volts	4x125 Watts	1x1250 Watts	1x1800 Watts	1x1800 Watts	1x2500 Watts
1Ω @ 14.4 Volts	-	1x2500 Watts	1x3500 Watts	1x3500 Watts	1x5000 Watts
Subsonic Filter	-	10Hz-50Hz	10Hz-50Hz	10Hz-50Hz	10Hz-50Hz
Capability	2Ω Stereo	1Ω Mono	1Ω Mono	1Ω Mono	1Ω Mono
Master Carton	3	2	1	1	1

Dimensions	L	H	W
A7 125.4	16.63in / 422mm	2.5in / 64mm	10.25in / 260mm
A7 2500.1	16.88in / 429mm	2.5in / 64mm	10.25in / 260mm
A7 3500H.1	22.38in / 569mm	2.5in / 64mm	10.25in / 260mm
A7 3500L.1	22.38in / 569mm	2.5in / 64mm	10.25in / 260mm
A7 5000H.1	25.59in / 650mm	2.5in / 64mm	10.25in / 260mm



Images displayed are for illustration purposes only and may differ from actual photos

# A7PROAUDIO

## AMPLIFIERS

### FEATURES:

- Full Range Class D Amplifier
- Signal to Noise Ratio: 95
- Damping factor: 100<
- Low Level Input: 6V - 0.2mV
- Variable High Pass Filter: 20Hz ~ 8KHz
- Variable Low Pass Filter: 50Hz ~ 8KH
- Variable Bass Boost @ 45Hz
- Buffered RCA Outputs
- 0 Gauge Power Wire Input
- Working Voltage: 12 ~ 16 volts



Bass Remote Included  
A7PRO 3K.2



	A7PRO 3K.2	A7PRO 4K.4	
Internal Circuitry	2 Channel Class D	4 Channel Class D	
4Ω @ 14.4 Volts	-	2x200 Watts	
2Ω @ 14.4 Volts	2x1050 Watts	4x500 Watts	
1Ω @ 14.4 Volts	2x1500 Watts	4x1000 Watts	
4Ω Bridged	1x3000 Watts	-	
Capability	2Ω Stereo	2Ω Stereo	
Master Carton	3	3	
<b>Dimensions</b>	<b>L</b>	<b>H</b>	<b>W</b>
A7PRO 3K.2	13.77in / 350mm	2.5in / 64mm	10.25in / 260mm
A7PRO 4K.4	20.47in / 520mm	2.5in / 64mm	10.25in / 260mm

# PROAUDIO

## AMPLIFIERS



### FEATURES:

- Class AB Circuitry
- 2 Ω Load Stereo Capability
- Audiophile Grade Components
- Continuously Variable 12db per Octave
- Selectable 45Hz Bass Boost EQ
- Buffered Pre-Amp Input Circuitry
- High Efficiency Mosfet Design
- Variable Input Level Control
- DC-DC PWM Power Supply
- DC Short Circuit Protection
- Direct-Connect Integrated Wire Terminals
- Bandwidth: 20-28KHz

	PRO2.6K	PRO3.6K	
Internal Circuitry	4 Channel Class AB	4 Channel Class AB	
4Ω @ 14.4 Volts	4x90 Watts	4x125 Watts	
2Ω @ 14.4 Volts	4x180 Watts	4x250 Watts	
4Ω Bridged	2x360Watts	2x500Watts	
Capability	2Ω Stereo	2Ω Stereo	
Master Carton	4	4	
<b>Dimensions</b>	<b>L</b>	<b>H</b>	<b>W</b>
PRO2.6K	10.23in / 290mm	2.04in / 52mm	8.93in / 227mm
PRO3.6K	12.5in / 350mm	2.04in / 52mm	8.93in / 227mm

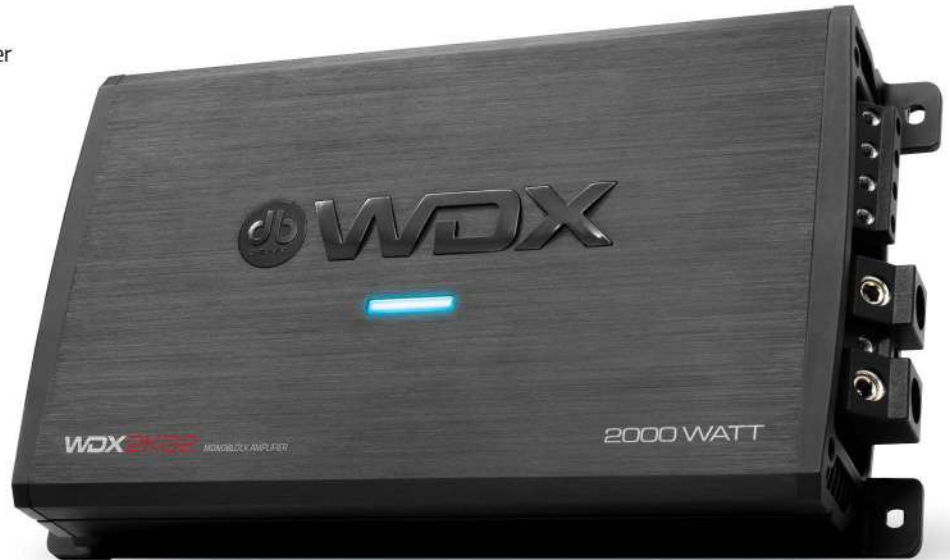


**FEATURES:**

- 2Ω Stereo Capability 4 Channel Model
- 1Ω Mono Capability on All Mono Amplifiers
- Blue LED POWER-ON Indicator
- Variable Low Level RCA Input
- Variable 12DB Per Octave Low-Pass X-Over
- Direct- Connect Connection Terminals
- Buffered Pre-amp input
- Selectable 6dB-12dB Boost @ 45Hz
- DRIVESINK Heat Management System
- Unregulated DB-DC PWM Power Supply
- Speaker Short Circuit Protection
- \* Bass Remote Included

# WDX SERIES

AMPLIFIERS



\* Bass Remote Included  
WDX 1KG2, WDX 2KG2  
WDX 3KG2 & WDX 5KG2

	WDX 300.4G2	WDX 400.4G2	WDX 800.4G2	*WDX 1KG2	*WDX 2KG2	*WDX 3KG2	*WDX 5KG2
Internal Circuitry	4 Ch. Class AB	4 Ch. Class AB	4 Ch. Class AB	Class D Mono	Class D Mono	Class D Mono	Class D Mono
4Ω @ 14.4 Volts	4x60 Watts	4x80 Watts	4x110 Watts	1x250 Watts	1x500 Watts	1x750 Watts	1x1250 Watts
4Ω Bridged	2x180 Watts	2x240 Watts	2x330 Watts	-	-	-	-
2Ω @ 14.4 Volts	4x120 Watts	4x160 Watts	4x220 Watts	1x500 Watts	1x1000 Watts	1x1500 Watts	1x2500 Watts
1Ω @ 14.4 Volts	-	-	-	1x1000 Watts	1x2000 Watts	1x3000 Watts	1x5000 Watts
Capability	2Ω Stereo	2Ω Stereo	2Ω Stereo	1Ω Mono	1Ω Mono	1Ω Mono	1Ω Mono
Master Carton	4	4	4	4	4	4	3



Dimensions	L	H	W
WDX 300.4G2	9.05in / 230mm	2.25in / 57mm	6.53in / 166mm
WDX 400.4G2	11.41in / 290mm	2.25in / 57mm	6.53in / 166mm
WDX 800.4G2	13.77in / 350mm	2.25in / 57mm	6.53in / 166mm
WDX 1KG2	7.08in / 180mm	2.25in / 57mm	6.53in / 166mm
WDX 2KG2	10.11in / 257mm	2.25in / 57mm	6.53in / 166mm
WDX 3KG2	13.30in / 338mm	2.25in / 57mm	6.53in / 166mm
WDX 5KG2	18.62in / 473mm	2.25in / 57mm	6.53in / 166mm

# NEO 5v2 AMPLIFIER



- FEATURES**
- 5 Channel Full Range D Technology
  - 2  $\Omega$  stereo load capability on Stereo Channels
  - 2  $\Omega$  mono load Capability on 5th Mono Channel
  - Amphibious grade conformal coating on PCB
  - Audiophile Grade RCA connectors
  - Variable 12 db High/ Low-pass Crossover Filters
  - Bridgable outputs @ 4 $\Omega$  load
  - Double Sided Circuit Tablet
  - Remote Bass Control Included
  - Compatible with any 4/2  $\Omega$  Loudspeaker

**MODEL**  
**NEO5v2**  
5 CHANNEL CLASS D AMPLIFIER



**Bass Remote Included**  
**NEO 5v2**



1.88" / 48mm

SPECS	NEO5v2
Internal Circuitry	4 Ch. Class D
4 $\Omega$ @ 14.4 Volts	4x125 Watts
4 $\Omega$ Bridged	4x250 Watts
2 $\Omega$ @ 14.4 Volts	2x250 Watts
2 $\Omega$ @ 14.4 Volts / 5 Ch	1X 500 Watts
Capability	4/2 $\Omega$
Master Carton	5



# NEO<sup>v2</sup> AMPLIFIER



## NEO AMPLIFIER FEATURES

- Class D full range circuitry
- 2 Ω stereo capability (NEO4v2)
- 1 Ω mono capability (NEO1.5Kv2)
- Audiophile grade RCA connectors
- Amphibious grade conformal coating on PCB
- Marine grade conformal coated on PCB
- Double sided circuit tablet
- Bridgable outputs @ 4Ω load ( NEO4v2)



**Bass Remote  
Included  
NEO1.5Kv2**



SPECS	NEO4v2	*NEO1.5Kv2
Internal Circuitry	4 Ch. Class D	Class D Mono
4Ω @ 14.4 Volts	4x125 Watts	-
4Ω Bridged	4x250 Watts	-
2Ω @ 14.4 Volts	2x500 Watts	1x350 Watts
1Ω @ 14.4 Volts	-	1x750 Watts
Capability	4 / 2Ω	1Ω Mono
Master Carton	8	8

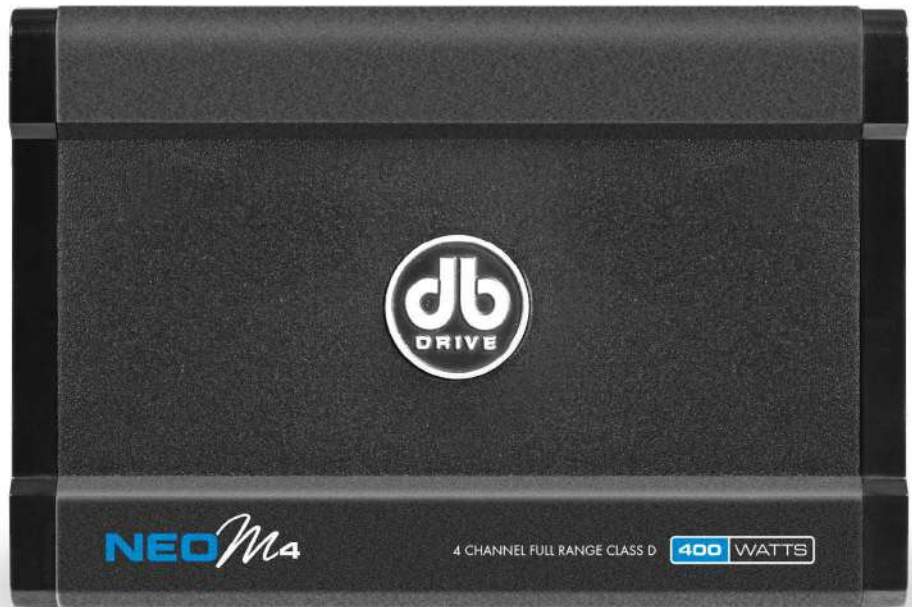
## DIMENSIONS

MODEL	L	W	H
NEO4v2	6.25" / 159mm	5.3" / 135mm	1.88" / 48mm
NEO1.5Kv2	7.6" / 195mm	5.3" / 135mm	1.88" / 48mm

# NEO M SERIES

## AMPLIFIERS

MICRO SIZE  
MINI AMP



### FEATURES

- Class D full range circuitry
- 2 Ω stereo capability (NEO M2/ NEO M4)
- 2 Ω mono capability (NEO M1)
- Audiophile grade connectors
- Marine grade conformal coated on PCB
- THD (100Hz @ 1Ω) 0.04%
- Bandwidth (-3dB) 18-150Hz
- Damping factor (100Hz @ 4Ω) 126
- S/N Ratio (as weighted @ 1Volt) 99dB
- Input sensitivity: 0.20MV - 6V

SPECS	NEOM1	NEOM2	NEOM4
Internal Circuitry	Class D Mono	2 Ch. Class D	4 Ch. Class D
4Ω @ 14.4 Volts	1x250 Watts	2x125 Watts	4x50 Watts
4Ω Bridged	-	1x500 Watts	-
2Ω @ 14.4 Volts	1x500 Watts	2x250 Watts	4x100 Watts
Capability	2Ω Mono	2Ω Mono	2Ω Mono
Master Carton	10	10	10



Dimensions	L	H	W
NEOM1	6.10in / 155mm	1.92in / 135mm	4.13in / 105mm
NEOM2	6.10in / 155mm	1.92in / 135mm	4.13in / 105mm
NEOM4	6.10in / 155mm	1.92in / 135mm	4.13in / 105mm



# speedseries AMPLIFIERS

**NEW**



\* Bass Remote Included  
SPA6.1M, SPA12.1D, SPA15.1D

**FEATURES:**

- 2Ω Stereo Capability 4 Channel Model
- 1Ω Mono Capability ( SPA12.1D/SPA15.1D )
  - 2Ω Mono Capability (SPA6.1M)
  - Variable Low Level RCA Input
- Variable 12DB Per Octave Low-Pass X-Over
- Variable High-Pass or Low-pass crossover filters ( SPA8.4 )
- Direct- Connect Connection Terminals
  - Buffered Pre-amp input
- DRIVESINK Heat Management System
- Unregulated DB-DC PWM Power Supply
  - Speaker Short Circuit Protection
  - Double Sided PCB

SPECS	SPA8.4	SPA6.1M	SPA12.1D	SPA15.1D
Internal Circuitry	4 Channel Class AB	Mono Class A/B	Mono Class D	Mono Class D
4Ω @ 14.4 Volts	4 x 80 Watts	1 x 600 Watts		
2Ω @ 14.4 Volts	4 x 160 Watts	1 x 300 Watts	1 x 600 Watts	1 x 750 Watts
1Ω @ 14.4 Volts			1 x 1200 Watts	1 x 1500 Watts
4Ω Bridged	2 x 320Watts	-	-	-
Capability	2Ω Stereo	2Ω Mono	1Ω Mono	1Ω Mono
Master Carton	4	4	4	4



Dimensions	L	H	W
SPA8.4	11.61in / 295mm	1.93 / 49.1mm	6.98in / 177.4mm
SPA6.1M	7.0in / 180mm	1.93 / 49.1mm	6.98in / 177.4mm
SPA12.1D	10.82in / 275mm	1.93 / 49.1mm	6.98in / 177.4mm
SPA15.1D	10.82in / 275mm	1.93 / 49.1mm	6.98in / 177.4mm

Images displayed are for illustration purposes only and may differ from actual photos

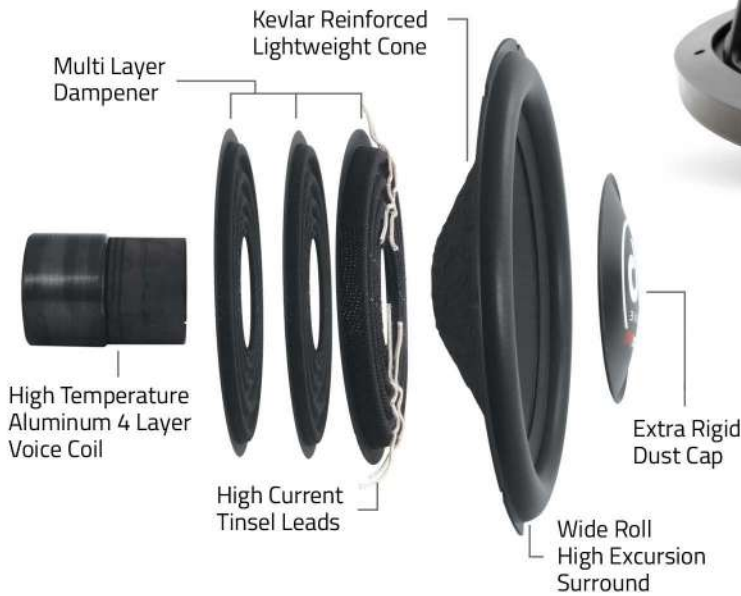
# WDX SERIES

## CUSTOM BUILT SUBWOOFERS

Please contact your sales representative for details



**20K WATTS**  
TONE BURST POWER



### FEATURES:

- 380oz Ceramic Ferrite Magnet
- 3" (76mm) High Temperature Voice Coil
- 1.5" (38mm) Wide Roll Foam Surround
- High Grade Low Carbon Steel Plates
- Designed to Optimize SPL Performance
- High Excursion Spider Design
- Low Resistance Direct Connect Speaker Cables

SPECS	WDX12	WDX15	WDX18
Structure	12"(30.4cm) Woofer	15"(38cm) Woofer	18"(45.7cm) Woofer
Max power	20,000 Watts	20,000 Watts	20,000 Watts
Nominal Power	3000 Watts	3000 Watts	3000 Watts
Impedance	Dual 1.4Ω Voice Coil	Dual 1.4Ω Voice Coil	Dual 1.4Ω Voice Coil
Master Carton	1	1	1





# WDX G5 SERIES

SUBWOOFERS



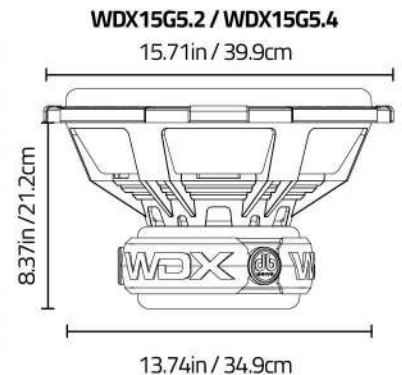
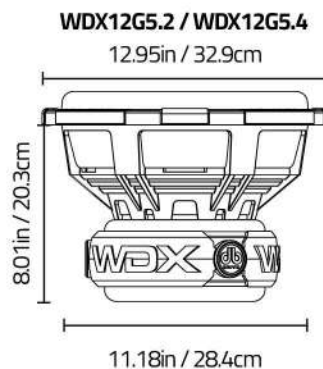
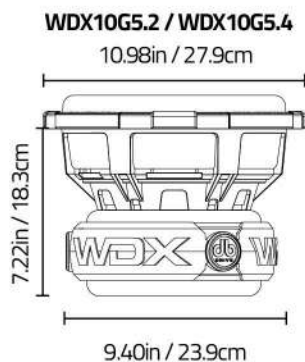
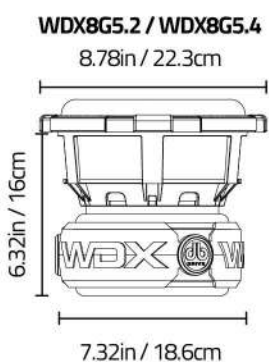
**FEATURES:**

- Ceramic Ferrite Magnet
- High Temperature Voice Coil
- 1.5" (38mm) Wide Roll Foam Surround
- High Grade Low Carbon Steel Plates
- Designed to Optimize SPL Performance
- High Excursion Spider Design
- Large gauge compression terminals
- Protective magnet cover
- Rubber gasket trim ring

**6000 WATTS**  
MAX POWER

SPECS	WDX8G5.2 WDX8G5.4	WDX10G5.2 WDX10G5.4	WDX12G5.2 WDX12G5.4	WDX15G5.2 WDX15G5.4	WDX18G5.2
Structure	8"(20.3cm) Woofer	10"(25.4cm) Woofer	12" (30.4cm) Woofer	15" (38cm) Woofer	18" (45.7cm) Woofer
Max power	1800 Watts	3000 Watts	6000 Watts	6000 Watts	6000 Watts
Nominal Power	900 Watts	1500 Watts	3000 Watts	3000 Watts	3000 Watts
Impedance	Dual 2Ω Voice Coil	Dual 2Ω Voice Coil	Dual 2Ω Voice Coil	Dual 4Ω Voice Coil	Dual 2Ω Voice Coil
	Dual 4Ω Voice Coil	Dual 4Ω Voice Coil	Dual 4Ω Voice Coil	Dual 4Ω Voice Coil	
Voice Coil	2.5"	3"	3"	3"	3"
Magnet Size	150oz.	220oz.	220oz.	220oz.	220oz.
V/C Winding Length	45 mm	45 mm	50 mm	50 mm	50 mm
Master Carton	2	1	1	1	1

**Dimensions**



Images displayed are for illustration purposes only and may differ from actual photos

# WDX G3 SERIES

SUBWOOFERS



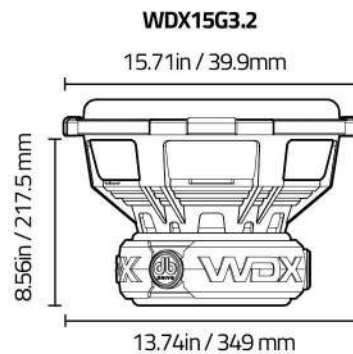
**4000 WATTS**  
MAX POWER

**FEATURES:**

- Protective magnet cover
- Large gauge compression terminals
  - Rubber gasket trim ring
- Die-cast aluminum vented basket
  - Dual poly-cotton dampeners
- Double stitched foam surround
  - Non-Pressed paper cone
  - High temperature voice coil

SPECS	WDX12G3.4	WDX15G3.4
Structure	12" (30.4cm) Woofer	15" (38.1cm) Woofer
Max power	4000 Watts	4000 Watts
Nominal Power	2000 Watts	2000 Watts
Impedance	Dual 4Ω Voice Coil	Dual 4Ω Voice Coil
Voice Coil	3"	3"
V/C Winding Length	45 mm	45 mm
Magnet Size	150oz.	150oz.
Master Carton	1	1

**Dimensions**





# WDX G2 SERIES

SUBWOOFERS



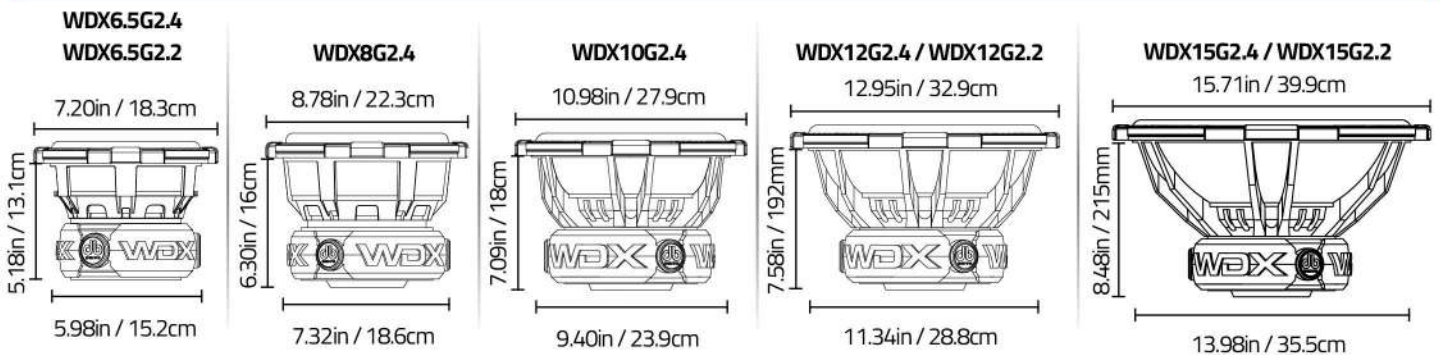
**FEATURES:**

- Non-Pressed paper cone
- Double stitched foam surround
- Dual poly-cotton dampeners
- Die-cast aluminum vented basket
- Rubber gasket trim ring
- Large gauge compression terminals
- Protective magnet cover

**2500 WATTS**  
MAX POWER

SPECS	WDX6.5G2.2 WDX6.5G2.4	WDX8G2.4	WDX10G2.4	WDX12G2.2 WDX12G2.4	WDX15G2.2 WDX15G2.4
Structure	6.5" (16.5cm)	8" (20.32cm)	10" (16.5cm)	12" (30.48cm)	15" (38.1cm)
Max power	1500 Watts	1500 Watts	2200 Watts	2500 Watts	2500 Watts
Nominal Power	750 Watts	750 Watts	1100 Watts	1250 Watts	1250 Watts
Impedance	2" (50.8mm)	2.5"(63.5mm)	3" (76.2 mm)	3" (76.2mm)	3" (76.2mm)
Voice Coil	2Ω Dual Voice Coil /4Ω Dual Voice Coil	4Ω Dual Voice Coil	4Ω Dual Voice Coil	2Ω Dual Voice Coil/ 4Ω Dual Voice Coil	2Ω Dual Voice Coil/ 4Ω Dual Voice Coil
Magnet Size	75 oz.	100 oz.	150 oz.	150 oz.	150 oz.
Master Carton	2	2	1	1	1
V/C Winding Length	45 mm	45 mm	45 mm	45 mm	45 mm

**Dimensions**



Images displayed are for illustration purposes only and may differ from actual photos

# WDX G1 SERIES

## SUBWOOFERS



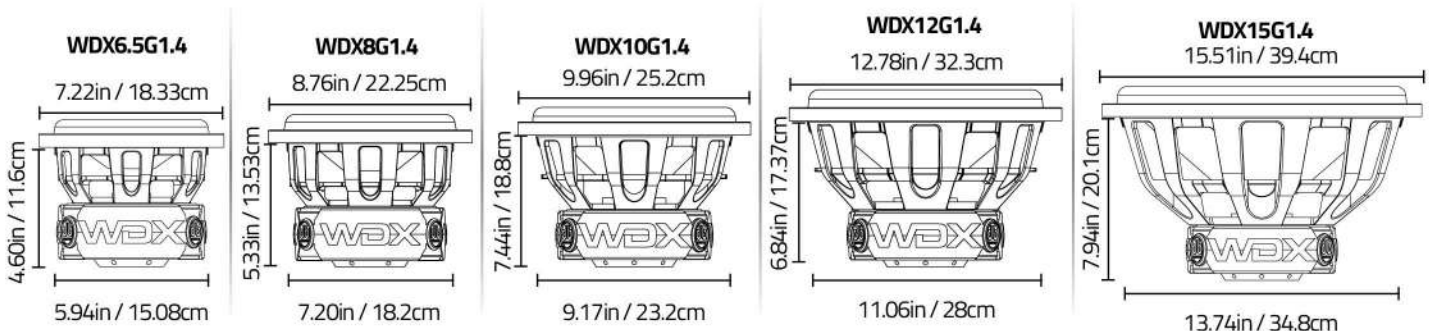
- FEATURES:**
- High Temperature Voice coil
    - Non-Pressed Paper cone
  - Double stitched foam surround
    - Dual poly-cotton dampeners
  - Die-cast aluminum vented basket
    - Rubber gasket trim ring
  - Large Gauge compression terminals
    - Protective magnet cover



**2000 WATTS**  
MAX POWER

SPECS	WDX6.5G1.4	WDX8G1.4	WDX10G1.4	WDX12G1.4	WDX15G1.4
Structure	6.5" (16.5cm) Woofer	8" (20.3cm) Woofer	10" (25.4cm) Woofer	12"(30.4cm) Woofer	15"(38.1cm) Woofer
Max power	600 Watts	1800 Watts	2000 Watts	2000 Watts	2000 Watts
Nominal Power	300 Watts	900 Watts	1000 Watts	1000 Watts	1000 Watts
Impedance	Dual 4Ω Voice Coil	Dual 2Ω Voice Coil	Dual 4Ω Voice Coil	Dual 4Ω Voice Coil	Dual 4Ω Voice Coil
Voice Coil	1.5"	2"	3"	3"	3"
Magnet Size	80oz.	120oz.	135oz.	135oz.	135oz.
Master Carton	4	2	1	1	1

### Dimensions





# WDX **SHALLOW** SUBWOOFERS



## SHALLOW DESIGN

**1200 WATTS**  
MAX POWER

SPECS	WDX8G2F-4	WDX10G2F-4
Structure	8" (20.3cm) Woofer	10" (25.4cm) Woofer
Max power	1000 Watts	1200 Watts
Nominal Power	500 Watts	600 Watts
Impedance	Dual 4Ω Voice Coil	Dual 4Ω Voice Coil
Voice Coil	2"	2"
Magnet Size	75oz.	80oz.
Master Carton	2	2

**FEATURES:**

- 2" BASV high temperature voice coil
  - Non-Pressed paper cone
- Double stitched foam surround
  - Dual poly-cotton dampeners
- Die-cast aluminum vented basket
  - Rubber gasket trim ring
- Large gauge compression terminals
  - Shallow Mounting Depth

**Dimensions**



Images displayed are for illustration purposes only and may differ from actual photos

# speedseries

SUBWOOFERS

## SPW SERIES

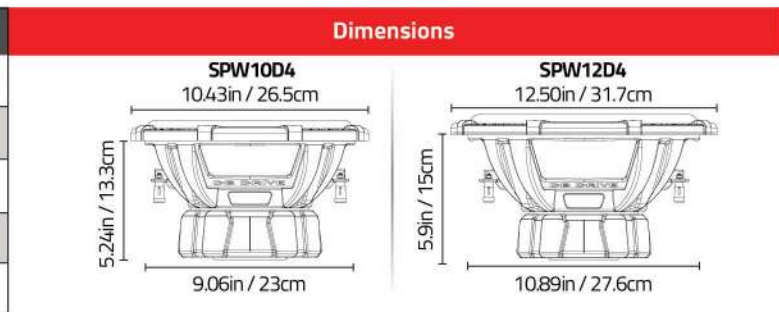
**FEATURES:**

- 2" (50mm) 4 Layer Voice Coil w/ KSV Former
- 64oz. Ferrite Oxide magnet
- Vac PP Sub Cone Structure with Butyl rubber Surround
- Inverted Vac PP Dome
- Anti-resonant Stamped Steel frame
- High Carbon Steel top and bottom plates
- Poly-Cotton Dampeners
- Compression Speaker Terminals



**1250 WATTS**  
MAX POWER

SPECS	SPW10D4	SPW12D4
Structure	10" (25.4cm) Woofer	12" (30.4cm) Woofer
Max power	1250 Watts	1250 Watts
Nominal Power	600 Watts	600 Watts
Impedance	Dual 4Ω Voice Coil	Dual 4Ω Voice Coil
Master Carton	2	2



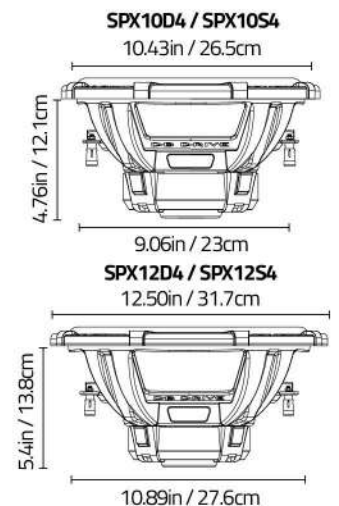
**900 WATTS**  
MAX POWER

## SPX SERIES

**FEATURES:**

- 2" (50mm) Voice Coil w/ KSV Former
  - 23oz. Ferrite Oxide magnet
- PP Cone Structure with Foam Surround
  - Vac PP Dome
- Anti-resonant Stamped Steel frame
- High Carbon Steel top and bottom plates
  - Poly-Cotton Dampeners
- Compression Speaker Terminals

SPECS	SPX10D4	SPX10S4	SPX12D4	SPX12S4
Structure	10" (25.4cm) Woofer	10" (25.4cm) Woofer	12" (30.4cm) Woofer	12" (30.4cm) Woofer
Max power	900 Watts	900 Watts	900 Watts	900 Watts
Nominal Power	300 Watts	300 Watts	300 Watts	300 Watts
Impedance	Dual 4Ω Voice Coil	Single 4Ω Voice Coil	Dual 4Ω Voice Coil	Single 4Ω Voice Coil
Master Carton	2	2	2	2





# speedseries

SHALLOW SUBWOOFERS

**FEATURES:**

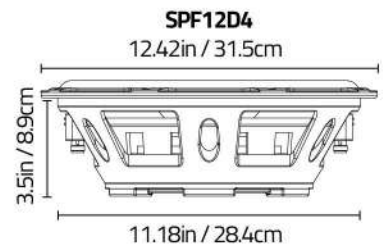
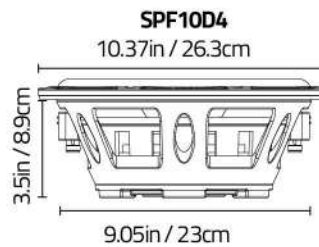
- 2.5" (63mm) 4 Layer Dual 4 Ohm VC w/ Aluminum Former
- Ferrite Magnet
- IMPP Cone with Foam Surround
- Ultra Thin Stamped Steel Frame Design
- Blue Zinc Finished Top and Bottom Plates
- Mixed C Fiber Spider
- Heavy Gauge Spring Terminals



**1000 WATTS**  
MAX POWER

SPECS	SPF10D4	SPF12D4
Structure	10" (25.4cm) Woofer	12" (30.4cm) Woofer
Max power	1000 Watts	1000 Watts
Nominal Power	300 Watts	300 Watts
Impedance	Dual 4Ω Voice Coil	Dual 4Ω Voice Coil
Magnet Size	40oz.	60oz.
Master Carton	4	4

**Dimensions**



# WDX-AS10

## 10" (25.4cm) ACTIVE SUBWOOFER

**FEATURES:**

- Dynamic Power – 900 Watts
- RMS Power – 250 Watts
- Adjustable Input sensitivity
- Low Level RCA INPUTS
- Factory Radio High Level Inputs
- Selectable Audio Sensing Remote Turn On
- Variable Low-pass Filter 50Hz – 150Hz
- Variable Bass Boost @ 45Hz 0-18 dB
- Active Subsonic Filter @ 20Hz
- Selectable Phase Shift 0 to 180 Degrees
- Remote Gain Control
- Multi-fault Protection Circuitry
- MOSFET Power Supply
- Dimensions L 13.5" (342mm) x W 10.25" (260.35mm) x H 2.63" (66.80mm)

**900 WATTS**  
MAX POWER



**NEW**



Fits Under Most Seats



Bass Remote Included



**Master Carton**  
2

Images displayed are for illustration purposes only and may differ from actual photos

# SUBWOOFER AMPLIFIER COMPATIBILITY CHART

SUBWOOFER	NUMBER OF SUBWOOFERS	RECOMMENDED AMPLIFIER OPTION 1	RECOMMENDED AMPLIFIER OPTION 2	RECOMMENDED AMPLIFIER OPTION 3
<b>DB DRIVE WDX G5</b>				
WDX8G5.2	1 SUB @ 1Ω	WDX 2KG2	SPA15.1D	
WDX8G5.4	2 SUBS @ 1Ω	WDX 3KG2	A7 2500.1	SPA15.1D
WDX10G5.2	1 SUB @ 1Ω	WDX 2KG2	SPA15.1D	
WDX10G5.4	2 SUBS @ 1Ω	WDX 5KG2	A7 2500.1	SPA15.1D
WDX12G5.2	1 SUB @ 1Ω	WDX 3KG2	A7 2500.1	
WDX12G5.4	2 SUBS @ 1Ω	WDX 5KG2	A7 3500.1	A7 5000.1
WDX15G5.2	1 SUB @ 1Ω	WDX 3KG2	A7 2500.1	
WDX15G5.4	2 SUBS @ 1Ω	WDX 5KG2	A7 5000.1	A7 3500.1
<b>DB DRIVE WDX G3</b>				
WDX12G3.4	2 SUBS @ 1Ω	WDX5KG2	A7 2500.1	WDX 3KG2
WDX12G3.4	2 SUBS @ 1Ω	WDX5KG2	A7 2500.1	WDX 3KG2
<b>DB DRIVE WDX G2</b>				
WDX6.5G2.4	2 SUBS @ 1Ω	WDX 1KG2	NEO1.5Kv2	SPA15.1D
WDX8G2.4	2 SUBS @ 1Ω	WDX 1KG2	NEO1.5Kv2	SPA15.1D
WDX10G2.4	2 SUBS @ 1Ω	WDX 2KG2		
WDX12G2.4	2 SUBS @ 1Ω	WDX 3KG2		
WDX12G2.2	1 SUB @ 1Ω	WDX 2KG2	NEO1.5Kv2	SPA15.1D
WDX15G2.4	2 SUBS @ 1Ω	WDX 3KG2		
WDX15G2.2	1 SUB @ 1Ω	WDX 2KG2	NEO1.5Kv2	SPA15.1D
<b>DB DRIVE WDX G2F</b>				
WDX8G2F-4	2 SUBS @ 1Ω	WDX 1KG2	NEO1.5Kv2	SPA12.1D
WDX10G2F-4	2 SUBS @ 1Ω	WDX 2KG2	NEO1.5Kv2	SPA15.1D
<b>DB DRIVE WDX G1</b>				
WDX6.5G1.4	2 SUBS @ 1Ω	WDX 1KG2	NEO1.5Kv2	SPA12.1D
WDX8G1.4	2 SUBS @ 1Ω	WDX 1KG2	NEO1.5Kv2	SPA15.1D
WDX10G1.4	2 SUBS @ 1Ω	WDX 1KG2	SPA15.1D	NEO1.5Kv2
WDX12G1.4	2 SUBS @ 1Ω	WDX2KG2	SPA15.1D	
WDX15G1.4	2 SUBS @ 1Ω	WDX 2KG2	SPA15.1D	SPA12.1D
<b>DB DRIVE SPEED SERIES</b>				
SPW10D4	2 SUBS @ 1Ω	WDX 1KG2	SPA12.1D	NEO1.5Kv2
SPW10D4	1 SUBS @ 2Ω	SPA6.M1	SPA12.1D	NEO M1
SPW12D4	2 SUBS @ 1Ω	SPA12.1D	NEO1.5Kv2	SPA15.1D
SPW12D4	1 SUBS @ 2Ω	SPA6.M1	NEO1.5Kv2	SPA12.1D
SPF10D4	2 SUBS @ 1Ω	WDX 1KG2	SPA12.1D	
SPF12D4	2 SUBS @ 1Ω	SPA12.1D	NEO1.5Kv2	
SPX10D4	2 SUBS @ 1Ω	SPA12.1D		
SPX10D4	1SUBS @ 2Ω	SPA6.M1	NEO M1	
SPX10S4	2 SUBS @ 2Ω	SPA6.M1	NEO M1	SPA8.4 - 4CH
SPX12D4	1 SUB @ 2Ω	SPA6.M1	NEO M1	
SPX12D4	2 SUBS @1Ω	SPA12.1D		
SPX12S4	2 SUB @ 2Ω	SPA12.1D	NEO1.5Kv2	SPA8.4 - 4CH
<b>WDX BASS CRATE</b>				
WDX6-2BC	2 SUBS	WDX 1KG2 @ 1Ω	NEO1.5Kv2@1Ω	
WDX6-3BC	3 SUBS	WDX 2KG2 @ 1Ω	SPA12.1D@1Ω	
WDX8-1BC	1 SUB	WDX 1KG2 @ 1Ω	NEO1.5Kv2@1Ω	
WDX8-2BC	2 SUBS	WDX 2KG2 @ 1Ω	SPA15.1D	
WDX8-3BC	3 SUBS	WDX 3KG2 @ 1Ω	SPA15.1D	
WDX10-1BC	1 SUB	WDX 1KG2 @ 1Ω	NEO1.5Kv2@1Ω	
WDX10-2BC	2 SUBS	WDX 2KG2 @ 1Ω	SPA15.1D	
WDX12-1BC	1 SUB	WDX 1KG2 @ 1Ω	SPA15.1D	
WDX12-1BC	2 SUBS	WDX 2KG2 @ 1Ω	SPA15.1D	
SPX10-2BC	2 SUBS	SPA12.1D@1Ω	WDX 1KG2 @ 1Ω	
SPX12-1BC	1 SUB	SPA8.4@4Ω	WDX 400.4G2 @ 4Ω	
SPX12-2BC	2 SUBS	SPA12.1D@1Ω	WDX 1KG2 @ 1Ω	

Notice: Recommended minimum amplifier power options from most compatible (Green) to acceptable (Orange) levels. More powerful amplifiers may be used with proper calibration.



# WDX G2

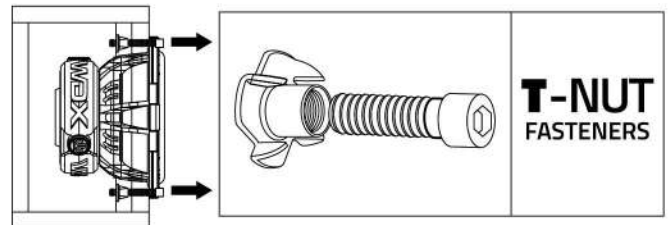
## BASS • CRATE

**FEATURES:**

- 0.75" (19mm) MDF High Grade Construction
- Dual Layer Front Baffle 1.5" (38mm) Thick
- Counter Sunk Subwoofer Mounting T-nut Fasteners
- Plush Protective Carpet with Signature WDX Logo
- Factory tuned vent
- Protective Bar Grills
- 12 Gauge Copper Wiring
- Spring load terminals



SPECS	WDX6-2BC
Structure	2 x 6" (15.2cm) Enclosure
Max power	1000 Watts
Nominal Power	500 Watts
Master Carton	1



SPECS	WDX6-3BC	WDX8-1BC	WDX8-2BC	WDX8-3BC
Structure	3 x 6" (15.2cm) Enclosure	1 x 8" (20.3cm) Enclosure	2 x 8" (20.3cm) Enclosure	3 x 8" (20.3cm) Enclosure
Max power	1500 Watts	1000 Watts	1500 Watts	3000 Watts
Nominal Power	750 Watts	500 Watts	750 Watts	1500 Watts
Master Carton	1	1	1	1

SPECS	WDX10-1BC	WDX10-2BC	WDX12-1BC	WDX12-2BC
Structure	1 x 10" (25.4cm) Enclosure	2 x 10" (25.4cm) Enclosure	1 x 12" (30.4cm) Enclosure	2 x 12" (30.4cm) Enclosure
Max power	1000 Watts	3000 Watts	3000 Watts	3000 Watts
Nominal Power	500 Watts	1500 Watts	1500 Watts	1500 Watts
Master Carton	1	1	1	1

Images displayed are for illustration purposes only and may differ from actual photos

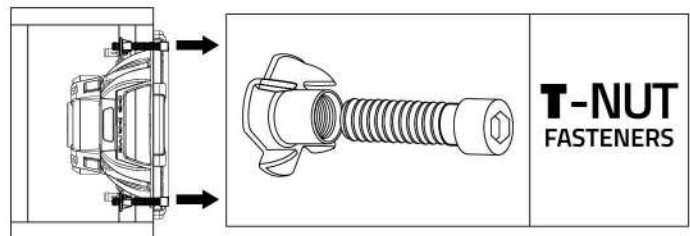
**WEDGE DESIGN** *speedseries*  
BASS • CRATE



**FEATURES:**

- MDF High Grade Construction
- Dual Layer Front Baffle
- Counter Sunk Subwoofer Mounting T-nut Fasteners
- Plush Protective Carpet with Signature Speed Logo
- 12 Gauge Copper Wiring
- Spring load terminals

Preloaded with SPX Series Subwoofers



SPECS	SPX10-2BC	SPX12-1BC	SPX12-2BC
Structure	2 x 10" (25.4cm) Enclosure	1 x 12" (30.4cm) Enclosure	2 x 12" (30.4cm) Enclosure
Max power	1000 Watts	900 Watts	1000 Watts
Nominal Power	500 Watts	300 Watts	500 Watts
Master Carton	1	1	1



## BASS CRATE BOX SPECIFICATIONS

SUBWOOFER	NUMBER OF SUBWOOFERS	OHM LOAD	WATTS	LENGTH, WEDGE WIDTH, HEIGHT
<b>SPEED SERIES BASS CRATE</b>				
SPX10-2BC	2 SUBS	1Ω or 4Ω	1000 Watts	24in/60.9cm x 15in/38cm x 12in/30.4cm
SPX12-1BC	1 SUB	4Ω	900 Watts	13.9in/35.3cm x 16.4in/41cm/ x 13in/33cm
SPX12-2BC	2 SUBS	1Ω or 4Ω	1000 Watts	28.5in/72.3cm x 16.4in/41cm x 13.25in/33.6cm
<b>WDX BASS CRATE</b>				
WDX6-2BC	2 SUBS	1Ω or 4Ω	1000 Watts	20in/50.8cm x 12.9in/32.7cm x 9in/22.8cm
WDX6-3BC	3 SUBS	1Ω	1500 Watts	28in/71.1cm x 15.8in/40.1cm x 11in/27.9cm
WDX8-1BC	1 SUB	1Ω or 4Ω	1000 Watts	23.62in/59.9cm x 15.9in/40.3cm x 10.7in/27.1cm
WDX8-2BC	2 SUBS	1Ω or 4Ω	1500 Watts	27.9in/70.8cm x 15in/38.1cm x 12in/30.4cm
WDX8-3BC	3 SUBS	1Ω	3000 Watts	36in/91.4cm x 15.8in/40.1cm x 13in/33cm
WDX10-1BC	1 SUB	1Ω or 4Ω	1000 Watts	22.9in/58.1cm x 15.9in/40.3cm x 13in/33cm
WDX10-2BC	2 SUBS	1Ω or 4Ω	3000 Watts	32in/81.2cm x 15in/38.1cm x 13in/33cm
WDX12-1BC	1 SUB	1Ω or 4Ω	3000 Watts	28in/71.1cm x 16in/40.6cm x 15in/38.1cm
WDX12-2BC	2 SUBS	1Ω or 4Ω	3000 Watts	32in/81.2cm x 16.8in/42.6cm x 15in/38.1cm

## BASS CRATE AMPLIFIER COMPATIBILITY CHART

SUBWOOFER	NUMBER OF SUBWOOFERS	RECOMMENDED AMPLIFIER OPTION 1	RECOMMENDED AMPLIFIER OPTION 2
<b>SPEED SERIES BASS CRATE</b>			
SPX10-2BC	2 SUBS	SPA12.1D @ 1Ω	WDX 1KG2 @ 1Ω
SPX12-1BC	1 SUB	SPA8.4 @ 4Ω	WDX 400.4G2 @ 4Ω
SPX12-2BC	2 SUBS	SPA12.1D @ 1Ω	WDX 1KG2 @ 1Ω
<b>WDX BASS CRATE</b>			
WDX6-2BC	2 SUBS	WDX 1KG2 @ 1Ω	NEO1.5K @ 1Ω
WDX6-3BC	3 SUBS	WDX 2KG2 @ 1Ω	SPA12.1D @ 1Ω
WDX8-1BC	1 SUB	WDX 1KG2 @ 1Ω	NEO1.5K @ 1Ω
WDX8-2BC	2 SUBS	WDX 2KG2 @ 1Ω	SPA15.1D
WDX8-3BC	3 SUBS	WDX 3KG2 @ 1Ω	SPA15.1D
WDX10-1BC	1 SUB	WDX 1KG2 @ 1Ω	NEO1.5K @ 1Ω
WDX10-2BC	2 SUBS	WDX 2KG2 @ 1Ω	SPA15.1D
WDX12-1BC	1 SUB	WDX 1KG2 @ 1Ω	SPA15.1D
WDX12-2BC	2 SUBS	WDX 2KG2 @ 1Ω	SPA15.1D

## Notice:

Recommended minimum amplifier power options from most compatible (Green) to acceptable ( Orange) levels. More powerful amplifiers may be used with proper calibration.

# WDX<sup>G2</sup> MOTOSERIES

**NEW**

**500 WATTS**  
MAX POWER



**FEATURES:**

- 1" Aluminum Compression Style Tweeter
- Element Rated Cone Design
- Bi-Ribbed Treated Cloth Surround
- 1.5" High Output Til Midrange Voice
- Protective Grill Included

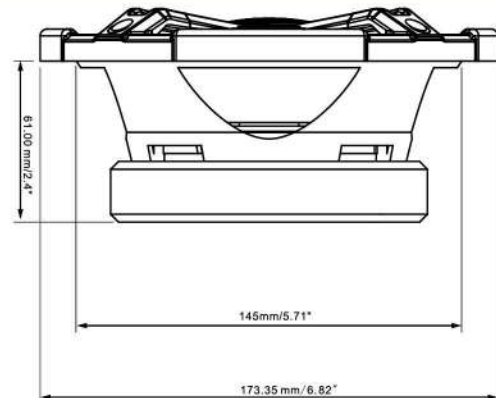
SPECS	WDX6 MOTO-CD
Structure	6.5" (16.5cm) Component
Max power	500 Watts
Nominal Power	250 Watts
Impedance	4Ω
Sensitivity	103.5dB
Frequency Response	80Hz - 21KHz
Master Carton	2

## WDX 6MOTO-CD

6.5" 2 Way Loudspeaker

**STAMPSTEEL**

**Dimensions**





# WDX G2 MOTOSERIES

## WDX6MOTO-G2



**400 WATTS**  
MAX POWER

**FEATURES:**

- Weather Resistant Speaker
- High Efficiency Loudspeaker
- Ultra Light Weight Treated Cone
- High Reaction Ribbed Treated Surround
- High Temperature Voice Coil
- 1.25" (28mm) Aluminum Dome Component Grade Tweeter with Rear Resonance Chamber
- Radial Voice Coil Venting
- Low Profile Tweeter
- Protective Grills Included

## WDX8MOTO-G2

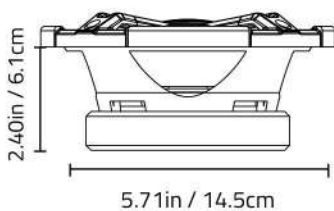


SPECS	WDX6MOTO-G2	WDX8MOTO-G2
Structure	6.5" (16.5cm) Loudspeaker	8" (203cm) Loudspeaker
Max power	400 Watts	550 Watts
Nominal Power	175 Watts	275 Watts
Impedance	4Ω	4Ω
Sensitivity	103.5dB	103.5dB
Frequency Response	80Hz - 21KHz	75Hz - 21KHz
Master Carton	2	2

**550 WATTS**  
MAX POWER

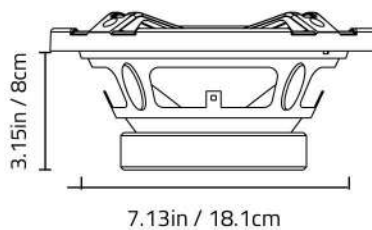
**Dimensions**

WDX6MOTO-G2



**DIECAST**

WDX8MOTO-G2



**STAMPSTEEL**



Images displayed are for illustration purposes only and may differ from actual photos

# WDX MOTOSERIES

STAMPED STEEL



**WDX 6MOTO**



**WDX 8MOTO**



**500 WATTS**  
MAX POWER



**WDX 69MOTO**

**FEATURES**

- High efficiency loudspeaker
- Ultra light weight treated cone
- High reaction ribbed treated surround
- 1" (25mm) high temperature voice coil
- Steel Stamped Basket
- 1.25" (28mm) aluminum dome tweeter with resonance chamber
- Protective grills included



**MESH GRILL**

SPECS	WDX6MOTO	WDX8MOTO	WDX69MOTO
Structure	6.5" (16.5cm) Speaker	8" (20.3cm) Speaker	6x9"(15.2cm x 22.8cm) Speaker
Max power	350 Watts	500 Watts	500 Watts
Nominal Power	150 Watts	250 Watts	250 Watts
Frequency Response	80Hz - 21KHz	75Hz - 21KHz	70Hz - 21KHz
Master Carton	4	2	2
Dimensions	Mounting Depth	Cutout Diameter	
WDX6MOTO	2.56in / 6.5cm	5.63in / 14.3cm	
WDX8MOTO	2.9in / 7.5cm	7.12in / 18.1cm	
WDX69MOTO	2.81in / 7.15cm	6.02in x 8.77in / 15.3cm x 22.3cm	



# WDX MOTOSERIES

**DIECAST**

**500 WATTS**  
MAX POWER

**FEATURES:**

- High Efficiency Component System
- 6.5" (16.5cm) Component Loudspeakers
- Ultra Light Weight Paper Cone
- High Reaction Ribbed Surround
- 1" (25mm) High Temperature Voice Coil
- Die-Cast Aluminum Anti Resonance Basket
- 1.25" (28mm) Aluminum Dome Tweeter with Resonance Chamber
- Multi-Mount Tweeter Flange
- 12dB Passive Crossover Network
- Protective Grills Included

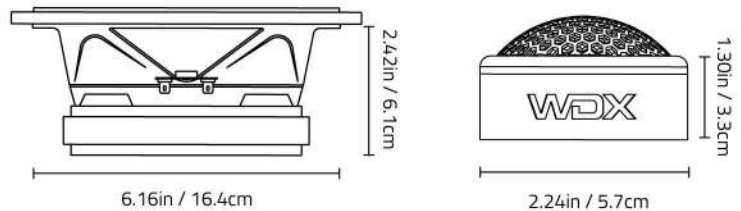
MESH GRILL INCLUDED



**WDX 65C**  
COMPONENT SYSTEM

SPECS	WDX65C
Structure	6.5" (16.5cm) Component
Max power	500 Watts
Nominal Power	250 Watts
Impedance	4Ω
Sensitivity	103.5dB
Frequency Response	80Hz - 21KHz
Master Carton	2

**Dimensions**



## WDX 1TW-MOTO

FEATURES	WDX1TW-MOTO
Structure	1.25" (2.8cm) Component Tweeters
Max power	225 Watts
Nominal Power	150 Watts
Impedance	4Ω
Sensitivity	101.4dB
Frequency Response	4KHz - 22.5KHz
Master Carton	30

**Dimensions**



**FEATURES:**

- 1.25" (28mm) High Efficiency Component Tweeters
- Silk Surround with Aluminum Dome
- Neo Magnet with Rear Resonance Chamber
- Surface and Flush mount application
- Hardware included
- 6db Passive Crossover Included
- Designed for High Output
- 1 Pair

Images displayed are for illustration purposes only and may differ from actual photos

# platinumseries

LOUDSPEAKERS

## PTS65C

6.5" (165.1mm) Component

**POLY-GRAPHITE**BASKET



**MESH GRILL INCLUDED**

**325 WATTS**  
MAX POWER

SPECS	PTS65C
Structure	6.5" (16.5cm) Component
Max power	325 Watts
Nominal Power	110 Watts
Impedance	2Ω
Sensitivity	93dB
Frequency Response	40Hz - 22KHz
Master Carton	4

**WOOFER:**

- Rubber Surround
- Carbon Graphite Injection PP Cone
- 1.20" (30.48mm) Voice Coil
- Ferrite Oxide Magnet

**TWEETER:**

- 0.75" (19mm) Silk Dome Tweeter
- Neodymium Magnet

**SQL**  
PERFORMANCE

**2Ω** + 3dB Musical Advantage

**12dB**  
CROSSOVER



# platinumseries

LOUDSPEAKERS

**FEATURES:**

- Neodymium Magnet
- Rubber Surround
- Carbon Graphite Injection PP Cone
- 1" (25mm) Voice Coil
- Ferrite Oxide Magnet



**POLY-GRAPHITE BASKET**



**PTS69** 3-Way Speaker



**PTS57** 2-Way Speaker



**PTS46** 2-Way Speaker



**PTS65** 2-Way Speaker

SPECS	PTS46	PTS57	PTS65	PTS69
Structure	4x6" (10.1cm x 15.2cm) Speaker	5x7" (12.7cm x 17.7cm) Speaker	6.5" (16.5cm) Speaker	6x9" (15.2cm x 22.8cm) Speaker
Max power	180 Watts	300 Watts	300 Watts	350 Watts
Nominal Power	65 Watts	100 Watts	100 Watts	125 Watts
Impedance	2Ω	2Ω	2Ω	2Ω
Frequency Response	40Hz - 22KHz	40Hz - 22KHz	35Hz - 22KHz	35Hz - 23KHz
Master Carton	10	4	4	4

Images displayed are for illustration purposes only and may differ from actual photos

# speedseries

LOUDSPEAKERS

STAMPED STEEL



**S6C** Component System

**FEATURES:**

**SUBWOOFER:**

- Injection Polypropylene Cone
- Rubber Surround
- 1"(25mm) Voice Coil Diameter
- Ferrite Oxide Magnet

**TWEETER:**

- 1/2"(13mm) PEI Dome
- Neodymium Magnet



**S69P** 4-Way Speaker



**S1T** Aluminum Tweeter



**S65** 2-Way Speaker



**S3T** Aluminum Tweeter



**S3.5** 2-Way Speaker







**S65P** 2-Way Speaker



**S4.0** 2-Way Speaker



**S57** 2-Way Speaker



**S46** 2-Way Speaker



**S5.25** 2-Way Speaker



**S69** 4-Way Speaker

SPECS	S1T	S3T	S3.5	S4.0	S46
Structure	1"(2.5cm) Tweeter	1.25"(2.8cm) Tweeter	3.5" (8.89cm) Speaker	4" (10.1cm) Speaker	4x6" (10.1cm x 15.2cm) Speaker
Max power	350 Watts	225 Watts	150 Watts	160 Watts	160 Watts
Nominal Power	75 Watts	150 Watts	40 Watts	55 Watts	55 Watts
Frequency Response	3.5KHz - 20KHz	4KHz - 22.5KHz	50Hz - 20KHz	45Hz - 20KHz	40Hz - 20KHz
Master Carton	24	50	12	10	12
SPECS	S5.25	S57	S65	S65P	
Structure	5.25" (13.3cm) Speaker	5x7" (12.7cm x 17.7cm) Speaker	6.5" (16.5cm) Speaker	6.5" (16.5cm) Speaker	
Max power	275 Watts	300 Watts	300 Watts	350 Watts	
Nominal Power	55 Watts	65 Watts	65 Watts	75 Watts	
Frequency Response	40Hz - 20KHz	30Hz - 20KHz	40Hz - 20KHz	40Hz - 20KHz	
Master Carton	8	6	6	6	
SPECS	S69	S69P			
Structure	6x9" (15.2cm x 22.8cm) Speaker	6x9" (15.2cm x 22.8cm) Speaker			
Max power	450 Watts	600 Watts			
Nominal Power	125 Watts	250 Watts			
Frequency Response	35Hz - 21KHz	35Hz - 21KHz			
Master Carton	4	4			



**MESH GRILL**

**OKUR  
SPEAKERS**

**120 WATTS**  
MAX POWER

	DB6
Structure	6.5" (16.5cm) Speaker
Max power	120 Watts
Nominal Power	30 Watts
Impedance	4Ω
Sensitivity	92dB
Frequency Response	50Hz - 22KHz
Master Carton	10



**DB6**

6.5" (16.5cm) 2-WAY LOUDSPEAKERS

**STAMPED STEEL**

**FEATURES:**

- TSD Coated Pressed Paper Cone
  - Heavy Gauge Steel
  - Stamped Basket
  - Aluminum Voice Coil
- 14mm Mylar Dome Tweeter
  - Butyl Rubber Surround
  - Grill Included

**S1 60v2**

6.5" (16.5cm) DUAL CONE LOUDSPEAKERS

**STAMPED STEEL**

**FEATURES:**

- TSD Coated Pressed Paper Cone
- Heavy Gauge Steel
- Stamped Basket
- Aluminum Voice Coil
- 14mm Mylar Dome Tweeter
- Butyl Rubber Surround
- Mesh Grill



SPECS	S1 60v2
Structure	6.5" (16.5cm) Dual Cone Speaker
Max power	130 Watts
Nominal Power	40 Watts
Impedance	4Ω
Sensitivity	89dB
Frequency Response	70Hz - 18KHz
Master Carton	10

**130 WATTS**  
MAX POWER

**250 WATTS**  
MAX POWER

FEATURES	S1 65Cv2
Structure	6.5" (16.5cm) Component
Max power	250 Watts
Nominal Power	65 Watts
Impedance	4Ω
Sensitivity	92dB
Frequency Response	40Hz - 20KHz
Master Carton	6

**S1 65Cv2**

6.5" (16.5cm) COMPONENT

**STAMPED STEEL**

**FEATURES:**

- Heavy Gauge Steel Stamped Basket
  - Aluminum Voice Coil
  - Butyl Rubber Surround
  - TSD Coated Pressed Paper Cone
  - Custom Embossed Grill Included
- TWEETER**
- 25mm. PEI Dome Tweeter
- CROSSOVER**
- 12dB per Octave Passive X-Over Network







**NEW**

# WDX BE

DIGITAL BASS ENHANCER

**FEATURES:**

- Dash Mountable Remote Control
- PFM Subsonic Filter
- Illuminated Controls
- Illuminated Logo
- Parametric Bass Equalization
- Balanced RCA Inputs
- PWM Power Supply
- Continuously Variable Bass Output Control

- Output Level: up to 13.5 Volt
- Frequency Response: 10Hz - 25KHz
- THD: 0.0015%
- S/N Ratio: <133dB



Remote Bass Control

**Master Carton**  
10

**FEATURES:**

- Remote Bass Control Included
- Front & Rear High-Pass Crossover - 18dB/Octave, Variable Frequency 35-400Hz, 20x Multiplier Option
- Sub Low-Pass Crossover
- Double Sided PCB Board
- Three Stereo Outputs - 5Vms
- Output Level : 8 volts max
- Two Stereo Inputs with Parallel Input Option
- Frequency Response : 10Hz - 50KHz - 3dB
- THD : 0.0015%

# E7 3X

3-WAY ELECTRONIC CROSSOVER



**8VOLTS**  
OUTPUT



Remote Bass Control

**Master Carton**  
10



# E6 BE

DIGITAL BASS OPTIMIZER

**FEATURES:**

- Remote Bass Control Included
- Parametric Bass Equalization
- Variable Center Frequency Control
- Selectable Ground Isolation Switch
- 2 Channel Digital Bass Restoration
- Variable Output gain Control
- Selectable Output Gain Limiter
- Selectable Balanced-Unbalanced RCA Input and Output



Remote Bass Control

**Master Carton**  
10

# E5 BEv2

BASS ENHANCER

**FEATURES:**

- Dash Mountable Remote Control
- PFM Subsonic Filter
- Illuminated Controls
- Illuminated Logo
- Parametric Bass Equalization
- Balanced RCA Inputs
- PWM Power Supply
- Continuously Variable Bass Output Control
- Output Level: up to 13.5 Volt
- Frequency Response: 10Hz - 25KHz
- THD: 0.0015%
- S/N Ratio: <133dB



Dash Mountable Remote Control

**Master Carton**  
10

# E6 EQ7

7 BAND PARAMETRIC EQUALIZER

**FEATURES:**

- Active gain Equalizer with adjustable input sensitivity
- Master volume control with up to 7 Volts RMS of output
- Individual left and right sensitivity controls
- Seven band parametric equalizer with 12dB Boost
- Specific bandwidth for each band plus high frequency shelving
- On-board 30V bipolar switching power supply
- Subwoofer level control
- Subwoofer frequency adjustable
- Input CD select switch
- Night Illumination Design



**7VOLTS**  
OUTPUT

**Master Carton**  
20

## SPEQ7 7 BAND GRAPHIC EQUALIZER



**DUAL ILLUMINATION**

**FEATURES:**

- 7 Band graphic equalizer
- 8 Volt line driver
- Rear panel auxiliary 2 channel RCA inputs with adjustable input gain
- Rear panel Front/Rear/Subwoofer RCA outputs
- Variable volume level control
- Variable subwoofer level control
- Adjustable fader control
- Selectable 12dB Low-pass crossover (60Hz or 90Hz)
- Dual illumination (Amber / Blue)



Master Carton
10

## E7 EQ7 7 BAND EQUALIZER



**FEATURES:**

- 7-band parametric equalizer with built in subwoofer x-over
- Seven Parametric Equalization Bands (50Hz, 125Hz, 315Hz, 750Hz, 2.2kHz, 6kHz and 16kHz)
- Variable Subwoofer Output with Built-in 18dB per Octave selectable at 60Hz or 90Hz
- Three stereo RCA outputs: front, rear, and subwoofer
- Volume Gain with up to 8 Volts of Output
- Auxiliary stereo RCA input on rear as well as a MP3 input on the front panel
- Variable subwoofer output control
- Master volume
- RCA configuration
- Illuminated Controls

Master Carton
20

## SPEQP 4 BAND PARAMETRIC EQUALIZER



**FEATURES:**

- Four Bands of Adjustable Parametric Stereo Equalization
- Volume Gain with up to 8 Volts of Output
- Variable Subwoofer Output Control
- Main AUX Input Selector
- Left and Right AUX Input Sensitivity Controls
- Gold Plated RCA Input Connectors
- Auxiliary stereo RCA input on rear as well as a MP3 input on the front panel
- Master volume
- RCA configuration
- Illuminated Controls
- Balanced RCA Inputs

Master Carton
20

## SPEQ 5 BAND EQUALIZER



**FEATURES:**

- Five Bands of Stereo Equalization: 45Hz, 100Hz, 700Hz, 2kHz, & 15kHz
- Volume Gain with up to 8 Volts of Output
- Variable Subwoofer Output Control with Frequency Bandwidth Adjustment
- Main AUX Input Selector
- Left and Right AUX Input Sensitivity Controls
- Gold Plated RCA Input Connectors

Master Carton
20

## SPEQ10BE 5 BAND PARAMETRIC EQUALIZER



**FEATURES:**

- 5 Band Parametric Equalization (Sub-Low-Mid-Mid/High-High)
- Volume Gain with up to 8.5 Volts of Output
- Master Level Control
- Front and Rear Fader Control
- Subwoofer Output Level Control
- Adjustable Input Gains
- Battery Voltage Gauge
- Bass Enhancement Digital
- Processor with Level Control
- Aux RCA Rear Input
- 3.5mm Front Panel Aux Input
- Selectable 60Hz or 80Hz Low Pass Active Crossover
- Blue Illumination

Master Carton
20





# NEO CAPACITORS

7.75in / 19.7cm



# NEOCAP5 5 FARAD DIGITAL CAPACITOR

COMPACT  
SIZE

**FEATURES:**

- 12-24 Volts DC
- Low E.S.R.
- Digital DC Volt Meter
- 0/4 Gauge Power Wire Inputs
- 0/4 Gauge Power Wire Outputs
- Increased Dynamic Sound Range of your amplifiers
- Reduces DC Voltage Spikes on your Vehicles
- Compact Size

**Master Carton**

10

5.431in / 13.8cm



1.91in / 4.8cm



# NEOCAP10 10 FARAD DIGITAL CAPACITOR

COMPACT  
SIZE

**FEATURES:**

- 12-24 Volts DC
- Low E.S.R.
- Digital DC Volt Meter
- 0/4 Gauge Power Wire Inputs
- 0/4 Gauge Power Wire Outputs
- Increased Dynamic Sound Range of your amplifiers
- Reduces DC Voltage Spikes on your Vehicles
- Compact Size

9.76in / 24.8cm



5.431in / 13.8cm



1.91in / 4.8cm



**Master Carton**

10

Images are for illustration purposes only and may differ from actual photos

# WDX1NTW

PRO AUDIO

1.25" HIGH OUTPUT NEO TWEETER

**FEATURES:**

- 1.25" (31.75mm) Voice Coil
- Diaphragm Material: Titanium
- Neodymium Magnet
- Fully Replaceable Tweeter Diaphragm
- Ultra Shallow Mounting design
- Aluminum Die-cast Waveguide Construction
- Includes 6dB Per Octave Crossover

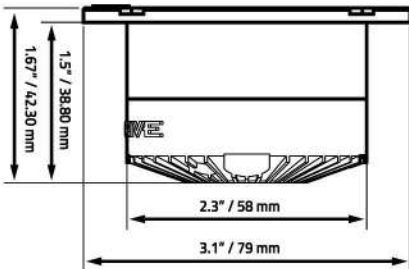
**SOLD AS PAIR**



**NEW**

**ULTRA SHALLOW MOUNT DESIGN**

**Dimensions**



**NEO**

SPECS	WDX1NTW
Voice Coil Size	1.25" (31.75 mm)
Max power	300 Watts
Nominal Power	125 Watts
Impedance	4Ω
Sensitivity	104 dB
Sold As	Pair
Master Carton	12
<b>WDX1NTW RC</b>	<b>RECONE FOR WDX1NTW</b>

# WDX1.5NTW

PRO AUDIO

1.5" HIGH OUTPUT PRO AUDIO NEO TWEETER | 250 W

**FEATURES:**

- 1.5" (38.1mm) Voice Coil
- Phenolic Diaphragm
- Neodymium Magnet
- High Sensitivity
- Fully Replaceable Tweeter Diaphragm
- Aluminum Die-Cast Waveguide Construction
- Designed for Wide Dispersion Applications

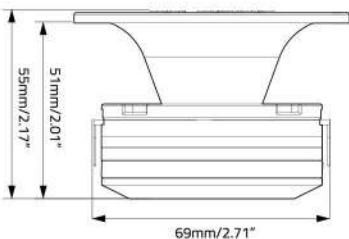
**SOLD AS SINGLE**



**NEW**

**NEO**

**Dimensions**



SPECS	WDX1.5NTW
Voice Coil Size	1.5" (38 mm)
Max power	350 Watts
Nominal Power	125 Watts
Impedance	8Ω
Sensitivity	106 dB
Sold As	Single
Master Carton	12
<b>WDX1.5NTW RC</b>	<b>RECONE FOR WDX1.5NTW</b>





*Elite*  
**PROAUDIO**  
TWEETERS

**P7TW 3D**

**350 WATTS**  
MAX POWER

INTEGRATED  
HIGH PASS  
CROSSOVER

TITANIUM  
DIAPHRAGM

**FEATURES:**

- High Efficiency Titanium diaphragm
- Integrated 6db Passive High Pass Crossover
- Fully Replaceable Tweeter Diaphragm
- Dispersion Ready Mesh Protective Grill
- Direct Connect Speaker Terminals
- Die-cast Aluminum Construction
- Shallow 2" (50mm) Mounting Depth
- 1 Pair

SPECS	P7TW 3D
Voice Coil Size	1.5" (38mm)
Max power	350 Watts
Nominal Power	170 Watts
Impedance	4Ω
Sensitivity	103dB
Sold As	Pair
Master Carton	12
<b>PQ7RC</b>   <b>REPLACEMENT DIAPHRAGM</b>	

**SOLD AS  
PAIR**



*Elite*  
**PROAUDIO**  
TWEETERS

**P9TW 3D**

**375 WATTS**  
MAX POWER

SPECS	P9TW 3D
Voice Coil Size	1.5" (38mm)
Max power	375 Watts
Nominal Power	175 Watts
Impedance	4Ω
Sensitivity	104dB
Magnet Size	6 oz.
Sold As	Pair
Master Carton	12
<b>PQ9RC</b>   <b>REPLACEMENT DIAPHRAGM</b>	

**FEATURES:**

- High Efficiency Titanium diaphragm
- Integrated 6db Passive High Pass Crossover
- Fully Replaceable Tweeter Diaphragm
- Dispersion Ready Mesh Protective Grill
- Direct Connect Speaker Terminals
- Die-cast Aluminum Construction
- Shallow 2" (50mm) Mounting Depth
- 1 Pair

TITANIUM  
DIAPHRAGM

INTEGRATED  
HIGH PASS  
CROSSOVER

**SOLD AS  
PAIR**



Images displayed are for illustration purposes only and may differ from actual photos

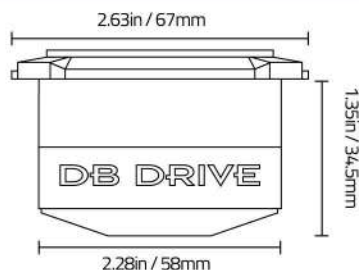
*Elite*  
**PROAUDIO**  
TWEETERS

# P7TW 3M

**300 WATTS**  
MAX POWER

ULTRA SHALLOW  
MOUNT DESIGN

Dimensions



**SOLD AS  
PAIR**

SPECS	P7TW 3M
Voice Coil Size	1.75" (44.45mm)
Max power	300 Watts
Nominal Power	125 Watts
Impedance	4Ω
Sensitivity	105dB
Magnet Size	6 oz.
Sold As	Pair
Master Carton	12
<b>P7TW3MRC</b>	<b>REPLACEMENT DIAPHRAM</b>

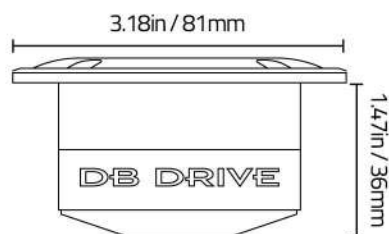
**Mini**

*Elite*  
**PROAUDIO**  
TWEETERS

# P9TW 3M

**320 WATTS**  
MAX POWER

Dimensions



Dispersion Ready Mesh Protective Grill

**SOLD AS  
PAIR**

ULTRA SHALLOW  
MOUNT DESIGN

SPECS	P9TW 3M
Voice Coil Size	1.75" (44.45mm)
Max power	320 Watts
Nominal Power	130 Watts
Impedance	4Ω
Sensitivity	105dB
Magnet Size	6 oz.
Sold As	Pair
Master Carton	12
<b>P9TW3MRC</b>	<b>REPLACEMENT DIAPHRAM</b>

**Mini**





*Elite*  
**PROAUDIO**  
TWEETERS



**P5TW 1D**



**P5TW 3D**



**P5TW 4D**

DB Drive ProAudio tweeters are extremely efficient high frequency loud speakers. They are highly recommended in audio systems designed for vehicle street parties. Pro Audio tweeters offer controlled high frequency dispersion which is ideal for high volume output. If you like it loud, go Pro Audio.

SPECS	P5TW 1D	P5TW 3D	P5TW 4D
Voice Coil Size	1" (25mm) Voice Coil	1" (25mm) Voice Coil	1.75" (44mm) Voice Coil
Max power	300 Watts	300 Watts	300 Watts
Nominal Power	150 Watts	150 Watts	170 Watts
Sensitivity	101 dB	101 dB	103 dB
Impedance	4Ω	4Ω	4Ω
Magnet Size	8 oz.	5.4 oz.	11.6 oz.
Sold As	Single	Pair	Single
Master Carton	18	12	8

Images displayed are for illustration purposes only and may differ from actual photos

*Elite*  
**PROAUDIO**  
TWEETERS

**P5TW 5D**



**P5TW 7D**

**P5TW 8D**



	REPLACEMENT DIAPHRAM
PQ1RC	P5TW 1D Replacement Diaphragm
PQ3RC	P5TW 3D/P5TW 7D/P5TW 8D Replacement Diaphragm
PQ4RC	P5TW 1D Replacement Diaphragm
PQ5RC	P5TW 1D Replacement Diaphragm

DB Drive ProAudio tweeters are extremely efficient high frequency loud speakers. They are highly recommended in audio systems designed for vehicle street parties. Pro Audio tweeters offer controlled high frequency dispersion which is ideal for high volume output. If you like it loud, go Pro Audio.

SPECS	P5TW 5D	P5TW 7D	P5TW 8D
Voice Coil Size	1.75" (44mm) Voice Coil	1" (25mm) Voice Coil	1" (25mm) Voice Coil
Max power	300 Watts	350 Watts	300 Watts
Nominal Power	100 Watts	150 Watts	150 Watts
Sensitivity	101 dB	101 dB	101 dB
Impedance	4Ω	4Ω	4Ω
Magnet Size	11.6 oz.	5.4 oz.	5.4 oz.
Sold As	Single	Pair	Pair
Master Carton	24	12	12



# PROAUDIO

TWEETERS

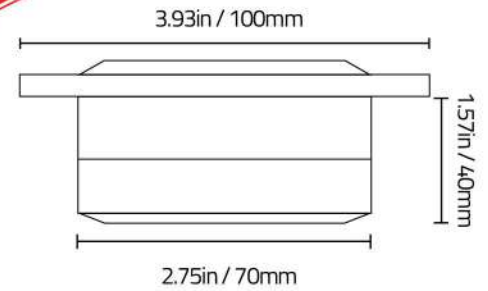
## P5TW8D-ST

**350 WATTS**  
MAX POWER



**SOLD AS PAIR**

**Dimensions**



SPECS	P5TW8D-ST
Voice Coil Size	1" (25mm) Voice Coil
Max power	350 Watts
Nominal Power	150 Watts
Impedance	4Ω
Sensitivity	103.3dB
Frequency Response	1.8KHz - 20KHz
Sold As	Pair
Master Carton	12



# PROAUDIO

HORN & COMPRESSION DRIVERS

## P7CDT1.0

**Dimensions**



**200 WATTS**  
MAX POWER

**PLASTIC HORN**

**SOLD AS PAIR**

**FEATURES:**

- Bi-radial Horn Tweeter Design
- Extended Frequency Response
  - High Efficiency
- Wide Dispersion Horn Lens

SPECS	P7CDT1.0
Structure	Pro Audio Horn & Driver
Max power	200 Watts
Nominal Power	100 Watts
Impedance	8Ω
Sensitivity	108dB
Magnet Size	10 oz.
Master Carton	12
<b>P7CDT1.0RC</b>	<b>REPLACEMENT DIAPHRAM</b>

# PROAUDIO

HORN & COMPRESSION DRIVERS

## PLASTIC HORN



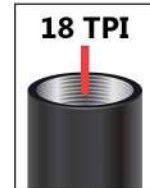
PBRH3



PBRH5



PBRH6



**FEATURES:**

- Bi-radial Proprietary Horn Design
- Rigid Plastic polymer Wide Dispersion
- Machined Metal Thread Inserts for maximum Strength and reliability
- 1 3/8"(35mm) - 18 TPI Universal fit
- 1 Piece per box

Dimensions	Width	Length	Height	Master Carton
PBRH6	6.1in / 155mm	6.1in / 155mm	5.9in / 149mm	12
PBRH5	5.98in / 152mm	5.98in / 152mm	2.75in / 70mm	18
PBRH3	3.66in / 93mm	3.66in / 93mm	2in / 51mm	40

# PROAUDIO

COMPRESSION DRIVERS



\* Image of Compression Driver with Horn

Horns Sold Separately

SPECS	P7CDT1.4	P7CDT1.75
Voice Coil Size	1.4" (35.5mm) Voice Coil	1.75" (44mm) Voice Coil
Max power	300 Watts	500 Watts
Nominal Power	125 Watts	150 Watts
Impedance	8Ω	8Ω
Sensitivity	102dB	104dB
Magnet Size	16.5 oz.	22 oz.
Master Carton	12	6
REPLACEMENT DIAPHRAM	P7CDT1.4RC	P7CDT1.75RC

SPECS	P7TW2NCD
Voice Coil Size	2" (50.8mm) Voice Coil
Diaphragm	Phenolic
Max power	350 Watts
Nominal Power	100 Watts
Impedance	8Ω
Sensitivity	110dB
Master Carton	6
REPLACEMENT DIAPHRAM	P7TW2NCD RC





# PROAUDIO

**FEATURES:**

- 3" (75mm) Voice Coil
- 1.4" Exit Throat
- Titanium Diaphragm
- Phenolic Diaphragm ( P9TW3NPH )
- Radial Neodymium Magnet Assembly
- High Sensitivity
- Uses 2" 4 Bolt to secure to P9TWSH or P9TWSL Aluminum Waveguide (sold seperately)
- Designed for wide dispersion high frequency applications



SPECS	P9TW2NCD	P9TW3NCD	P9TW3NPH
Voice Coil Size	3" (75mm) Voice Coil	3" (75mm) Voice Coil	3" (75mm) Voice Coil
Max power	250 Watts	350 Watts	350 Watts
Nominal Power	85 Watts	100 Watts	100 Watts
Impedance	8Ω	8Ω	8Ω
Sensitivity	112dB	110dB	110dB
Master Carton	4	4	4
<b>REPLACEMENT DIAPHRAM</b>	<b>P9TW2NCD RC</b>	<b>P9TW3NCD RC</b>	<b>P9TW3NPH RC</b>

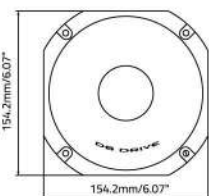
# Elite PROAUDIO

Cast Aluminum 45 x 45 | Conical Waveguide Horns

**FEATURES:**

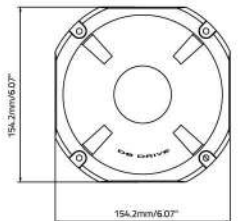
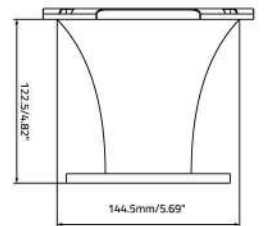
- 2" Cast Aluminum 45 x 45 Conical Waveguide Horn
- 4 Bolt Mounting
- Enhanced for Mid to High Frequency Reproduction

## P9TWSH SHORT



## ALLUMINIUMHORN

## P9TWLH LONG



SPECS	P9TWLH	P9TWSH
Throat Diameter	2" (50.8mm)	2" (50.8mm)
Frequency Capacity	600Hz	800Hz
Master Carton	12	12

Images displayed are for illustration purposes only and may differ from actual photos

**NEW**

9 SERIES MID-BASS

**DIECAST**

**WDX**  
PRO AUDIO



**((MID BASS))**

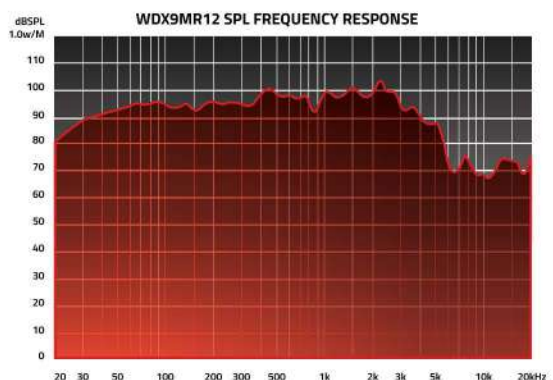
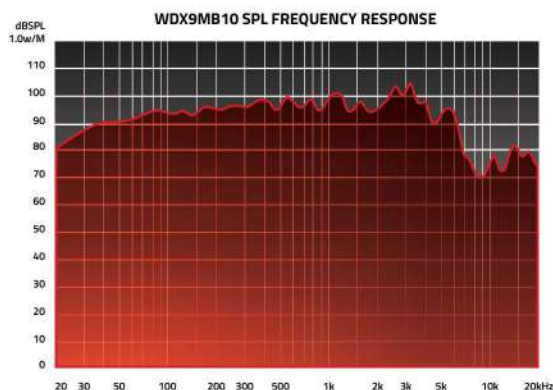


**SOLD AS SINGLE**

**500 WATTS**  
MAX POWER



FEATURES	WDX9MB10	WDX9MB12
Application	10" MID - BASS SPEAKER	12" MID - BASS SPEAKER
Nominal Basket Size	10.3" (262 mm)	12.4" (315 mm)
Mounting Depth	4.3" (109.5 mm)	4.7" (119.5 mm)
Nominal Impedence	4Ω	4Ω
RMS Watts	300 W	400 W
Music Program Watts	500 W	600 W
Voice Coil Diameter	2.5" / 63.5 mm	2.5" / 63.5 mm
Cone Material	Paper	Paper
Cone Edge	Cloth	Cloth
Basket Type	Die Cast	Die Cast
Sensitivity @ 1W/1M	106.1	106.1
Resonant Frequency (fs)	57.1 Hz	37.7 Hz
DC resistance (Re)	3.2	3.2
Mechanical Q (QMS)	13.06	8.89
Electromagnetic Q (QES)	0.39	0.28
Total Q (QTS)	0.38	0.27
Compliance Volume (Vas)	31.2 ltr	92.6 ltr
Mech Compliance of Suspension (CMS)	0.19 mm/N	0.22 mm/N
BL Product (BL)	11.1 N/A	14.6 N/A
Diaphragm Mass inc. Airload (Mms)	41.8 grams	79.7 grams
Recone kit part number	WDX9MB10-RC	WDX9MB12-RC







8 SERIES NEO MID-RANGE

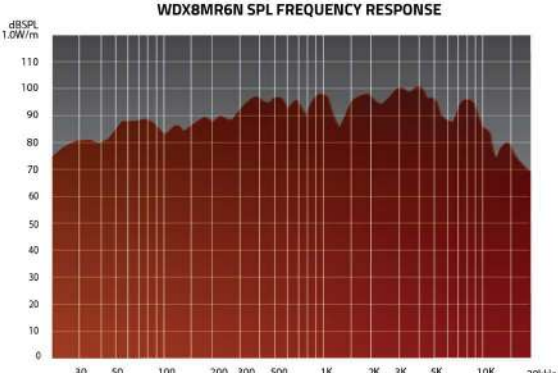
**DIECAST**

**NEW**



**500 WATTS**  
MAX POWER

FEATURES	WDX8MR6N
Application	6.5" MID - RANGE SPEAKER
Nominal Basket Size	6.5" (164.50 mm)
Mounting Depth	2.5" (64.10 mm)
Nominal Impedence	4Ω
RMS Watts	250 W
Music Program Watts	500 W
Voice Coil Diameter	2.5" / 63.5 mm
Cone Material	Paper
Cone Edge	Cloth
Basket Type	Die Cast
Sensitivity @ 1W/1M	92.2
Resonant Frequency (fs)	65.2 Hz
DC resistance (Re)	3.2
Mechanical Q (QMS)	7.43
Electromagnetic Q (QES)	0.38
Total Q (QTS)	0.37
Compliance Volume (Vas)	15.0 ltr
Mech Compliance of Suspension (CMS)	0.61 mm/N
BL Product (BL)	5.8 N/A
Diaphragm Mass inc. Airload (Mms)	9.8 grams
Recone kit part number	WDX8MR6N-RC



Images displayed are for illustration purposes only and may differ from actual photos

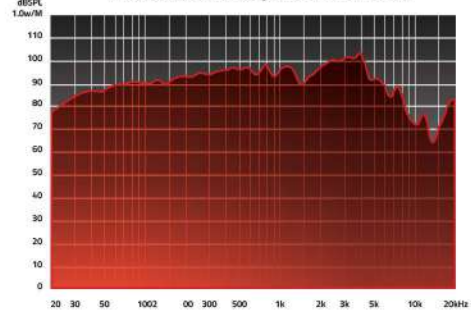


**8 SERIES MID-BASS**  
**STAMPED STEEL**

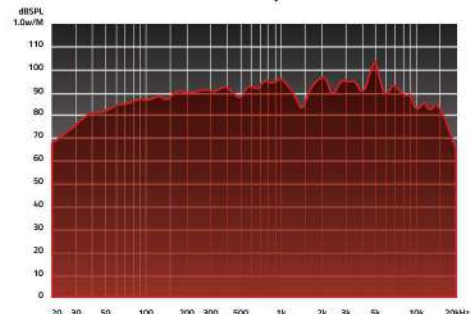


FEATURES	WDX8MB6	WDX8MB8
Application	6.5" MID - BASS	8" MID - BASS
Nominal Basket Size	6.59" (167.40 mm)	8.2" (209 mm)
Mounting Depth	2.57" (65.40 mm)	3.18" (81 mm)
Nominal Impedance	4Ω	4Ω
RMS Watts	250 W	300 W
Music Program Watts	400W	500W
Voice Coil Diameter	1.5" / 38.1 mm	1.5" / 38.1 mm
Cone Material	Paper	Paper
Cone Edge	Cloth	Cloth
Basket Type	Stamped Steel	Stamped Steel
Sensitivity @ 1W/1M	99.2	99.7
Resonant Frequency (fs)	99.3 Hz	70.2 Hz
DC resistance (Re)	3.2 Ω	3.2 Ω
Mechanical Q (QMS)	10	10.54
Electromagnetic Q (QES)	0.54	0.36
Total Q (QTS)	0.51	0.35
Compliance Volume (Vas)	3.9 ltr	14.7 ltr
Mech Compliance of Suspension (CMS)	0.15 mm/N	0.20 mm/N
BL Product (BL)	8.0 N/A	9.9 N/A
Diaphragm Mass inc. Airload (Mms)	17.2 grams	25.2 grams
Recone kit part number	WDX8MB6-RC	WDX8MB8-RC

WDX8MB6 SPL FREQUENCY RESPONSE



WDX8MB8 SPL FREQUENCY RESPONSE



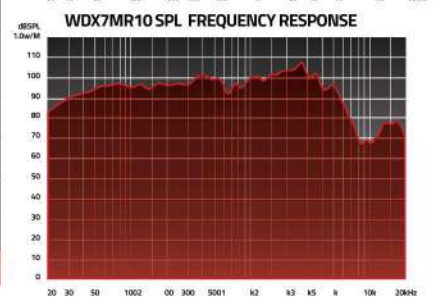
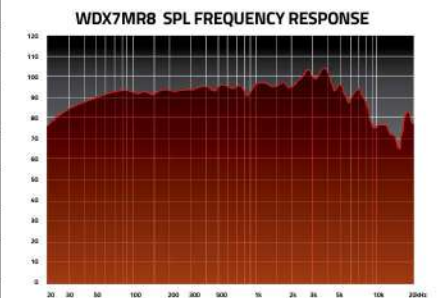
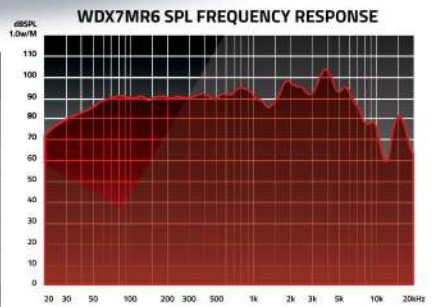




7 SERIES MID-RANGE  
**STAMPED STEEL**



FEATURES	WDX7MR6	WDX7MR8	WDX7MR10
Application	6.5" MID - RANGE	8" MID - RANGE	9" MID - RANGE
Nominal Basket Size	6.59" (167.4 mm)	8.22" (209 mm)	10" (256 mm)
Mounting Depth	2.27" (57.8 mm)	3.05" (77.60 mm)	3.8" (97 mm)
Nominal Impedence	4Ω	4Ω	4Ω
RMS Watts	200 W	250 W	300 W
Music Program Watts	325 W	375 W	400 W
Voice Coil Diameter	1.5" / 38.1 mm	1.5" / 38.1 mm	2" / 50.8 mm
Cone Material	Paper	Paper	Paper
Cone Edge	Cloth	Cloth	Cloth
Basket Type	Stamped Steel	Stamped Steel	Stamped Steel
Sensitivity @ 1W/1M	97.2	98.2	101.3
Resonant Frequency (fs)	78.3 Hz	68.6Hz	63.1 Hz
DC resistance (Re)	3.2 Ω	3.2 Ω	3.2 Ω
Mechanical Q (QMS)	8.85	10.15	12.67
Electromagnetic Q (QES)	0.76	0.57	0.56
Total Q (QTS)	0.70	0.54	0.54
Compliance Volume (Vas)	8.4 ltr	18.2 ltr	31.8 ltr
Mech Compliance of Suspension (CMS)	0.32 mm/N	0.24 mm/N	0.17 mm/N
BL Product (BL)	5.2 N/A	7.4 N/A	9.1 N/A
Diaphragm Mass inc. Airload (Mms)	12.9 grams	22.4 grams	36.9 grams
Ricorne kit part number	WDX7MR6-RC	WDX7MR8-RC	WDX7MR10-RC



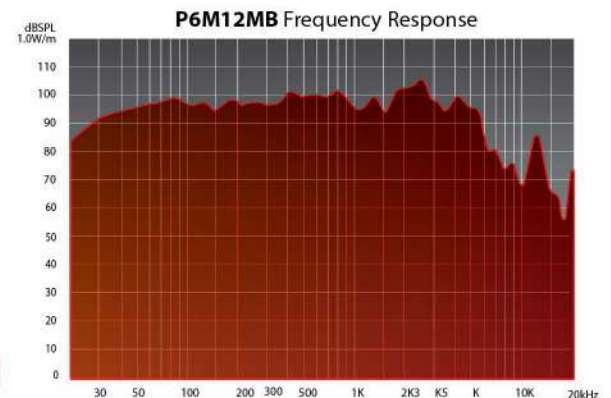
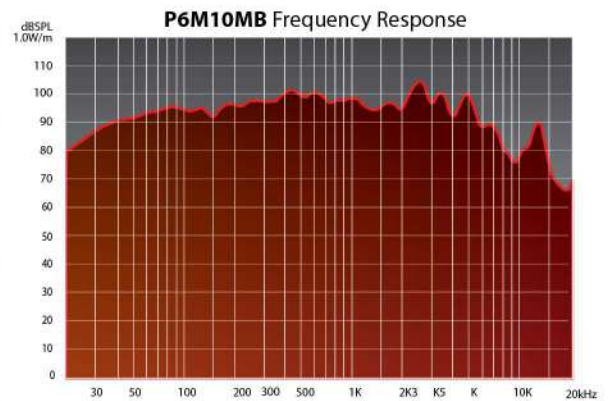
Images displayed are for illustration purposes only and may differ from actual photos

**Elite**  
**PROAUDIO**  
MID-RANGE

**P6M Series**  
**STAMPED STEEL**



FEATURES	P6M10 MB	P6M12 MB
Application	10" MID - BASS	12" MID - BASS
Nominal Basket Size	10.11" (267 mm)	12.24" (311 mm)
Mounting Depth	4.2" (107.00 mm)	4.8" (122.00 mm)
Nominal Impedance	4Ω	4Ω
RMS Watts	350W	400 W
Music Program Watts	700W	800 W
Voice Coil Diameter	2.5" / 63.5 mm	2.5" / 63.5 mm
Cone Material	Paper	Paper
Cone Edge	Cloth	Cloth
Basket Type	Stamped Steel	Stamped Steel
Sensitivity @ 1W/1M	94.6 dB	94.8 dB
Resonant Frequency (fs)	69.8 Hz	59.7 Hz
DC resistance (Re)	3.2 Ω	3.2 Ω
Mechanical Q (QMS)	7.57	8.23
Electromagnetic Q (QES)	0.47	0.57
Total Q (QTS)	0.44	0.53
Compliance Volume (Vas)	26.1 ltr	53.1 Ltr
Mech Compliance of Suspension (CMS)	0.16 mm/N	0.13 mm/N
BL Product (BL)	10.0 N/A	10.6 N/A
Diaphragm Mass inc. Airload (Mms)	33.5 grams	52.7 grams
Recone kit part number	P6M10MB RC	P6M12MB RC





# P5M6NEO

6.5" NEO MID-RANGE

**STAMPED STEEL**

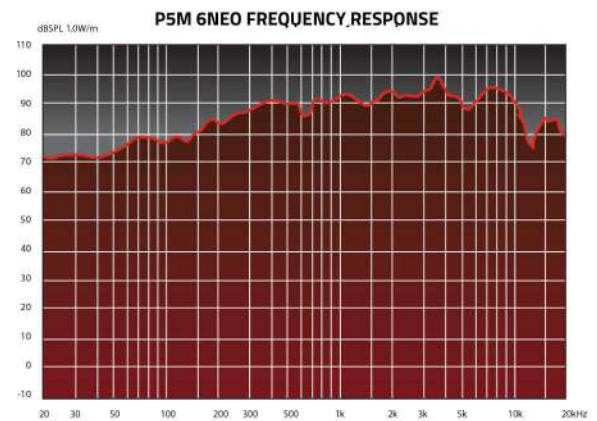


SPECS	P5M 6NEO
Application	6.5" MID-RANGE
Nominal Basket Size	6.57" (167 mm)
Mounting Depth	2.24" (57 mm)
Nominal Impedence	4Ω
RMS Watts	150 W
Music Program Watts	400 W
Voice Coil Diameter	1.5" / 38.1 mm
Cone Material	Paper
Cone Edge	Cloth
Basket Type	Stamped Steel
Sensitivity @ 1W/1M	95.6 dB
Resonant Frequency (fs)	125.5 Hz
DC resistance (Re)	3.2 Ω
Mechanical Q (QMS)	7.02
Electromagnetic Q (QES)	0.38
Total Q (QTS)	036
Compliance Volume (Vas)	4.5 ltr
Mech Compliance of Suspension (CMS)	0.18 mm/N
BL Product (BL)	7.8 N/A
Diaphragm Mass inc. Airload (Mms)	9.1 Grams



**FEATURES:**

- Voice Coil Copper Wire
  - Polyimide Coil
- Neodymium Magnet
- Stamped Steel Basket
  - Paper Cone
  - Cloth Edge Cone



Images displayed are for illustration purposes only and may differ from actual photos

# P5M8NEO

8" NEO MID-RANGE

**STAMPED STEEL**

**MID RANGE**

**SOLD AS SINGLE**



**MESH GRILL INCLUDED**

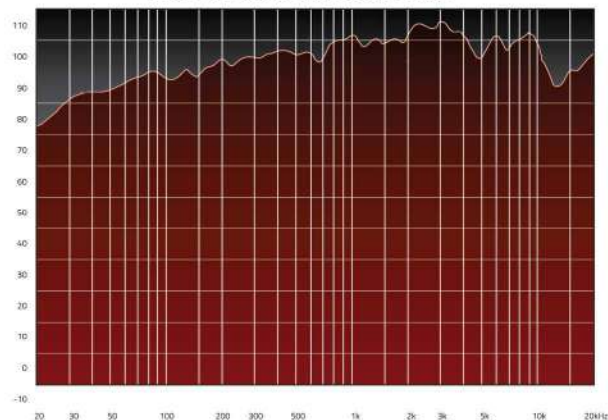


**FEATURES:**

- Voice Coil Copper Wire
  - Polyimide Coil
- Neodymium Magnet
- Stamped Steel Basket
  - Paper Cone
  - Cloth Edge Cone

SPECS	P5M 8NEO
Application	8" MID-RANGE
Nominal Basket Size	8.23" (209 mm)
Mounting Depth	2.36" (60 mm)
Nominal Impedance	4Ω
RMS Watts	150 W
Music Program Watts	450 W
Voice Coil Diameter	1.5" / 38.1 mm
Cone Material	Paper
Cone Edge	Cloth
Basket Type	Stamped Steel
Sensitivity @ 1W/1M	101 dB
Resonant Frequency (fs)	112.0 Hz
DC resistance (Re)	3.2 Ω
Mechanical Q (QMS)	9.29
Electromagnetic Q (QES)	0.56
Total Q (QTS)	0.53
Compliance Volume (Vas)	8.6 ltr
Mech Compliance of Suspension (CMS)	0.13 mm/N
BL Product (BL)	7.8 N/A
Diaphragm Mass inc. Airload (Mms)	15.1 Grams

P5M 8NEO FREQUENCY RESPONSE



**NEO MAGNET**

**HIGH EFFICIENCY**

**4 OHM**



# P4M SERIES

**STAMPED STEEL**

**FEATURES:**

- High Efficiency ProAudio Mid-Range
- Shallow Mount Application
- Cloth Edge Surround
- 1.5" (38mm) High Temperature Voice Coil
- Steel Stamped Basket
- Barium Ferrite Magnet



# PROAUDIO

MID-RANGE



SPECS	P4M 6C	P4M 8C
Size	6.5" (16.5cm) Pro Mid	8" (20.3cm) Pro Mid
Max power	275 Watts	325 Watts
Nominal Power	150 Watts	200 Watts
Impedance	4Ω	4Ω
Sensitivity	92.2 dB	97.9 dB
Magnet	Barium Ferrite	Barium Ferrite
Sold As	Single	Single
Master Carton	6	6

# PROAUDIO

MID-RANGE

**DIECAST**



**SHALLOW MOUNT DESIGN**



SPECS	P3M 6C	P3M 8C	P3M 10C
Size	6.5" (16.5cm) Pro Mid	8"(20.3cm) Pro Mid	10"(25.4cm) Pro Mid
Max power	225 Watts	275 Watts	350 Watts
Nominal Power	135 Watts	135 Watts	175 Watts
Impedance	8Ω	8Ω	8Ω
Sensitivity	105 dB	106 dB	107 dB
Magnet	Barium Ferrite	Barium Ferrite	Barium Ferrite
Sold As	Single	Single	Single
Master Carton	8	6	6

**DIECAST**

**DIECAST**

**STAMPED STEEL**

# P3M SERIES

**FEATURES:**

- High Efficiency Pro Audio Mid-Range
  - Shallow Mount Application
    - Cloth Edge Surround
- 1.5" (38mm) High Temperature Voice Coil
  - Die Cast Aluminum Basket
    - Barium Ferrite Magnet



Images displayed are for illustration purposes only and may differ from actual photos

# PROAUDIO

MID-RANGE

## P4MSB SERIES

**SOLD AS SINGLE**



**SEALED BACK LOUSPEAKER**

**FEATURES:**

- Sealed Back Loudspeaker
  - 4 ohms
  - 1.0" (25mm) Voice Coil
- High Efficiency Paper Cone
- Integrated protective grill



SPECS	P4M 4SB	P4M 6SB	P4M 8SB
Size	4" (10.1cm) Sealed Back Loudspeaker	6.5" (16.5cm) Sealed Back Loudspeaker	8" (20.3cm) Sealed Back Loudspeaker
Max power	250 Watts	275 Watts	325 Watts
Nominal Power	100 Watts	150 Watts	200 Watts
Impedance	4Ω	4Ω	4Ω
Sensitivity	95 dB	94 dB	94 dB
Magnet	Barium Ferrite	Barium Ferrite	Barium Ferrite
Sold As	Single	Single	Single
Master Carton	20	6	6



# P2MB6PR4

**STAMPED STEEL**

**FEATURES:**

- High Efficiency ProAudio Mid-Range
- Shallow Mount Application
- Tri - Ribbed Cloth Surround
- 1.5" (38mm) High Temperature Voice Coil
- Steel Stamped Basket
- Barium Ferrite Magnet



	P2MB 6PR4
Structure	6.5" (165mm) Pro Mid
Max power	225 Watts
Nominal Power	125 Watts
Impedance	4Ω
Sensitivity	99.4dB
Resonant Frequency	151Hz
Sold As	Pair
Master Carton	6



# PROAUDIO

MID-RANGE

**225 WATTS**  
MAX POWER

**SOLD AS PAIR**



**MESH GRILL INCLUDED**



**CAUTION EXCESSIVE SOUND LEVELS**

# Elite PROAUDIO

MID-RANGE



**MESH GRILL INCLUDED**



**SOLD AS PAIR**

# P2MB6PR8

**STAMPED STEEL**

**FEATURES:**

- High Efficiency ProAudio Mid-Range
  - Shallow Mount Application
  - Tri - Ribbed Cloth Surround
- 1.5" (38mm) High Temperature Voice Coil
  - Steel Stamped Basket
  - Barium Ferrite Magnet



SPECS	P2MB 6PR8
Structure	6.5" (165mm) Pro Mid
Max power	225 Watts
Nominal Power	125 Watts
Impedance	8Ω
Sensitivity	99.4dB
Resonant Frequency	151Hz
Sold As	Pair
Master Carton	6

**225 WATTS**  
MAX POWER

**CAUTION EXCESSIVE SOUND LEVELS**



Images displayed are for illustration purposes only and may differ from actual photos

# PROAUDIO

COMPONENT

**500 WATTS**  
MAX POWER

## P76K

STAMPED STEEL

**FEATURES:**

- High Efficiency ProAudio Mid-Range
- Shallow Mount Application
- Cloth Edge Surround
- 1.5" (38mm) High Temperature Voice Coil
- Steel Stamped Basket
- 1" (25mm) Aluminum Pro Audio Tweeter
- 12dB per Octave Passive X-Over Network



**2 MIDS**  
2 TWEETERS  
2 CROSSOVERS



SPECS	P7 6K
Structure	6.5"(16.5cm) Pro Component
Max power	500 Watts
Nominal Power	200 Watts
Impedance	8Ω
Sensitivity	104dB
Magnet	Barium Ferrite
Sold As	Kit
Master Carton	2





# PROAUDIO COMPONENT

**2 MIDS**  
**2 TWEETERS**  
**2 CROSSOVERS**



**275 WATTS**  
 MAX POWER



**SHALLOW MOUNT DESIGN**

## P36K DIECAST

**FEATURES:**

- High Efficiency ProAudio Mid-Range
- Shallow Mount Application
- Cloth Edge Surround
- 1.5" (38mm) High Temperature Voice Coil
- Die Cast Aluminum Basket
- 1" (25mm) Aluminum Pro Audio Tweeter
- 12dB per Octave Passive X-Over Network



SPECS	P3 6K
Structure	6.5" (16.5cm) Pro Component
Max power	275 Watts
Nominal Power	175 Watts
Impedance	8Ω
Sensitivity	105dB
Magnet	Barium Ferrite
Sold As	Kit
Master Carton	2

# PROAUDIO

COMPONENT

SHALLOW  
MOUNT DESIGN



**300 WATTS**  
MAX POWER

**P38K**  
DIECAST

**2 MIDS**  
**2 TWEETERS**  
**2 CROSSOVERS**

SOLD AS  
KIT

**FEATURES:**

- High Efficiency ProAudio Mid-Range
- Shallow Mount Application
  - Cloth Edge Surround
- 1.5" (38mm) High Temperature Voice Coil
  - Die Cast Aluminum Basket
- 1" (25mm) Aluminum Pro Audio Tweeter
- 12dB per Octave Passive X-Over Network



SPECS	P3 8K
Structure	8" (20.3cm) Pro Component
Max power	300 Watts
Nominal Power	175 Watts
Impedance	8Ω
Sensitivity	106dB
Magnet	Barium Ferrite
Sold As	Kit
Master Carton	2



MESH  
GRILL  
INCLUDED





# P34M6K

**DIECAST**

**SOLD AS  
KIT**

**4 MIDS**  
2 TWEETERS  
2 CROSSOVERS

**FEATURES:**

- Ultra High Efficiency Pro Audio 6.5" Component
- Anti-Resonance Die Cast Aluminum Basket
- Shallow Mount Application
- Paper cone with Cloth Edge Accordion Surround
- Custom Embossed Protective Grill
- 1" (25mm) Aluminum Dome Pro Tweeter
- 12db Passive X-Over network



**500 WATTS**  
MAX POWER



**SHALLOW  
MOUNT DESIGN**

*Elite*  
**PROAUDIO**  
COMPONENT



SPECS	P3 4M6K
Structure	6.5" (165mm) Pro Component
Max power	500 Watts
Nominal Power	250 Watts
Impedance	4Ω
Sensitivity	105dB
Frequency Response	+/-3dB 78Hz - 22KHz
Sold As	Kit
Master Carton	2



# PROAUDIO

COMPONENT



**500 WATTS**  
MAX POWER

**SOLD AS  
KIT**

**4 MIDS  
2 TWEETERS**

# PRO6K4M

**STAMPED STEEL**

**FEATURES:**

- High Efficiency
- Paper Cone
- Bi- Ribbed Cloth Surround
- Frequency Response  
Range 155Hz – 18,000Hz
- 6 db High Pass Capacitors  
Included for Tweeters



SPECS	PRO 6K4M
Structure	6.5" (16.5cm) Dual Component
Max power	500 Watts
Nominal Power	225 Watts
Impedance	4Ω
Sensitivity	99.3dB
Magnet	Barium Ferrite
Sold As	Kit
Master Carton	2





# PROAUDIO

COMPONENT



**250 WATTS**  
MAX POWER

## PRO6K

STAMPED STEEL

**FEATURES:**

- High Efficiency
- Paper Cone
- Bi- Ribbed Cloth Surround
- Frequency Response Range 155Hz – 18,000Hz
- 6 db High Pass Capacitors Included for Tweeters



SPECS	PRO 6K
Structure	6.5" (16.5cm) Dual Component
Max power	250 Watts
Nominal Power	150 Watts
Impedance	4Ω
Sensitivity	103.3dB
Magnet	Barium Ferrite
Sold As	Kit
Master Carton	2



Images displayed are for illustration purposes only and may differ from actual photos

# PROAUDIO

COMPONENT

## PRO6K4MT

STAMPED STEEL

**500** WATTS  
MAX POWER



SOLD AS  
KIT

4 MIDS  
4 TWEETERS



**FEATURES:**

- High Efficiency
- Paper Cone
- Bi- Ribbed Cloth Surround
- Steel Stamped Basket
- Barium Ferrite Magnet
- 1" Aluminum Pro Audio Tweeters



MESH  
GRILL  
INCLUDED



SPECS	PRO 6K4MT
Structure	6.5" (16.5cm) Dual Component
Max power	500 Watts
Nominal Power	225 Watts
Sensitivity	99.3dB
Frequency Response	155Hz - 18KHz
Impedance	4Ω
Resonant Frequency	151Hz







VISIT US ONLINE

[DBdrive.com](http://DBdrive.com)



**DRIVE IT**  
*Louder*

AMPLIFIERS • SUBWOOFERS • LOUDSPEAKERS





**DRIVE IT**  
*Louder*

AMPLIFIERS • SUBWOOFERS • LOUDSPEAKERS



302 Hanmore Industrial Parkway/Harlingen, TX 78550

Toll Free: (877) 787-0101 Fax: (956) 421-4513

contact us at: [sales@dbdrive.net](mailto:sales@dbdrive.net)

Tech Support: [support@dbdrive.net](mailto:support@dbdrive.net)

Printed in China

DCAT21A

[www.DBDRIVE.net](http://www.DBDRIVE.net)

DCAT21A  
81153603 482