

## LIMITED WARRANTY

DB DRIVE warrants any products purchased in the U.S.A. from an authorized DB DRIVE dealer. All products are warranted to be free from defects in material and workmanship under normal use and service for a period of (1) year when the unit is installed by an authorized DB DRIVE dealer. Non-authorized dealer installed products carry a one (1) year parts and labor limited warranty. This warranty applies to the original purchase only.

DB DRIVE will either repair or replace (as its option) any unit that has been found to be defective and under warranty provided the defect occurs within:

One (1) year if purchased through an authorized DB DRIVE dealer.

This limited warranty does not extend to units that have been subjected to misuse, abuse, neglect, or accident. Products that in DB DRIVE's judgment shows evidence of having been altered, modified, or serviced without DB DRIVE's authorization, will be ineligible under this warranty.

To obtain warranty service please contact your retailer or see our web site at [www.dbdrive.net](http://www.dbdrive.net) for more details.

All warranty claims must be handled directly through the authorized DB Research dealer they were originally purchased from



**DB Research L.L.P.**

302 Hanmore Industrial Parkway // Harlingen, TX 78550  
ph: 877.787.0101 // fx: 956.421.4513 // [www.dbdrive.net](http://www.dbdrive.net)



# E6EQ7

## 7 BAND EQUALIZER WITH SUBWOOFER OUTPUT

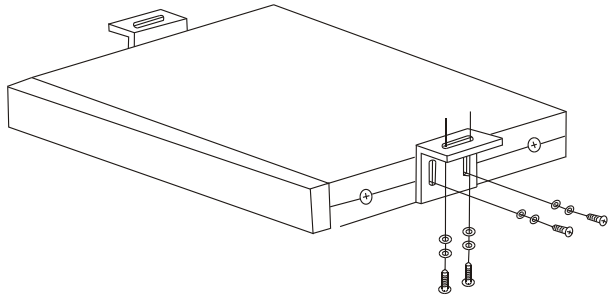
# User Manual

• Installation Instructions / Owners Manual •

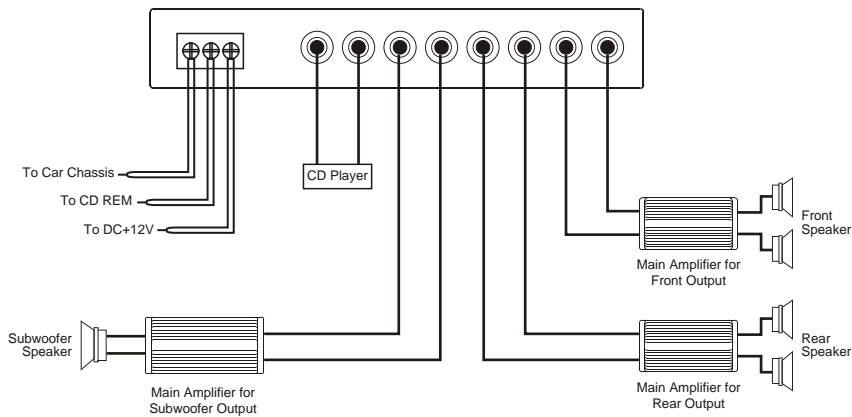
Due to continuous improvement of the product the Specifications are subject to change without notice.

## MECHANICAL INSTALLATION

1. Select the desired location to mount until under the dash board.
2. Fix the mounting bracket underdash or hump with (4) screw. Be careful when drilling so as not to damage existing wiring under the dash board.
3. Mount unit to the mounting bracket with (4) screw.



## WIRING DIAGRAM

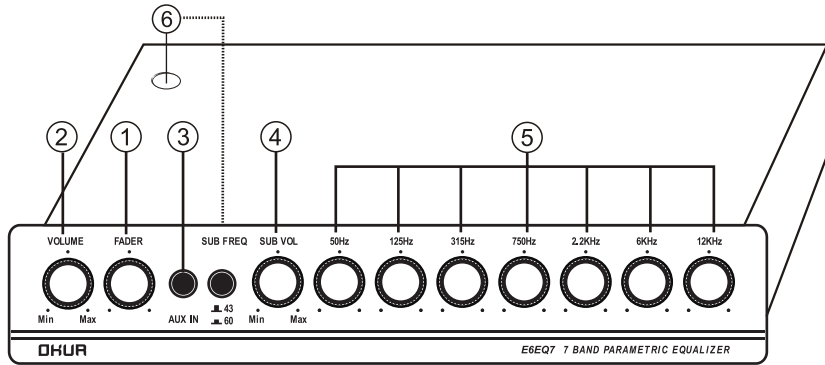


## FEATURES

### E6 EQ7

1. Active gain Equalizer with adjustable input sensitivity.
2. Master volume control with up to 7 volta RMS of output.
3. Individual left and right sensitivity controls.
4. Seven band parametric equalizer with 12dB Boost/cut.
5. Specific bandwidth for each band plus high requency shelving.
6. On-board 30V bipolar switching power supply.
7. Subwoofer level control.
8. Subwoofer frequency adjustable.
9. Input CD select switch.
10. Night Illumination design.

## MECHANICAL INSTALLATION



### 1. FADER CONTROL

This control adjust the volume between the front and rear in 4 speakers system.

### 2. VOLUME CONTROL

This control adjust the output level.

### 3. AUX IN

### 4. SUBWOOFER VOLUME

Control the subwoofer volume.

### 5. PARAMETRIC EQUALIZER CONTROLS

Control the frequency response of the Booster or cut with the four tone controls each 50, 125, 315, 750, 2.2k, 6k, 12KHz.

### 6. SUBWOOFER FREQ.

This switch selects subwoofer frequency, 43Hz - 120Hz, 60Hz - 200Hz.

## SPECIFICATIONS

### E6 EQ7

Power Supply	11-15 VDC Negative Ground
Max Output Voltage	7V RMS
Pre Graphic Frequency	50Hz, 125Hz, 315Hz, 750Hz, 2.2KHz 6KHz, 12KHz
Equalization Range	+12dB
Subwoofer Frequency	43~120Hz, 60~200Hz
Input Impedance	10K Ohms
S/N Ratio	90dB
T.H.D.	0.03%
Channel Separation	70dB
Frequency Response	15Hz-30KHz

## OPERATION

1. When the CD player or AUX connected to this unit is turned ON, the unit turns ON and the indicator lights up.
2. With the 4 speaker system, use the fader control to adjust the sound balance between the front and rear speakers.
3. Rotate the graphic equalizer controls to obtain the preferred sound quality.
4. Use the subwoofer output level control on the front to adjust the sound level heard from the subwoofer